

Regulations, Rates and Charges applying to the provision of Access Service for connection to intrastate communications facilities for Intrastate Customers within the operating territories of the Issuing Carrier listed on Title Sheet 2.

Access Services are provided by means of wire, fiber optics, radio or any other suitable technology or a combination thereof.

<p align="center"><b>(G) Customer Inquiries &amp; Complaints</b></p> <p>Residential Services Business Services</p>	<p align="center"><b>(H) Phone Number</b></p> <p align="center">866-699-4759 866-947-5988</p>
<p align="center"><b>(I) Customer written correspondence &amp; complaints may be mailed to:</b></p> <p>ZiPLY Fiber PO Box 1127 Everett, WA 98206</p>	
<p align="center"><b>(J) Repair Services</b></p>	<p align="center">(888) 488-0038</p>
<p align="center"><b>(K) Customer payments may be mailed to:</b></p> <p>ZiPLY Fiber PO Box 740416 Cincinnati, OH 45274-0416</p>	
<p align="center"><b>(L) Credit Card Payments</b></p>	<p align="center">(866) 699-4759</p>
<p><b>Tariff questions contact:</b> Jessica Epley</p>	<p align="center">(503) 431-0458</p>

---

**ACCESS SERVICE**

ISSUING CARRIERS

ZiPLY Fiber of Idaho, LLC

*DBA*

ZiPLY Fiber

135 Lake Street South  
Kirkland, Washington 98033

**ACCESS SERVICE**

CONCURRING CARRIERS

NO CONCURRING CARRIERS

CONNECTING CARRIERS

NO CONNECTING CARRIERS

OTHER PARTICIPATING CARRIERS

NO OTHER PARTICIPATING CARRIERS

REGISTERED SERVICE MARKS

ZIPLY (registration pending)

REGISTERED TRADEMARKS

ZIPLY (registration pending)

---

**ACCESS SERVICE**

EXPLANATION OF SYMBOLS

- (C) - To signify changed regulation which may affect rates or charges
- (D) - To signify discontinued rate or regulation
- (I) - To signify increase
- (L) - To signify material relocated from or to another part of Price List schedules with no change in text, rate, rule or condition
- (N) - To signify new rate or regulation
- (R) - To signify reduction
- (T) - To signify a change in wording of text but no change in rate or regulation
- (Z) - To signify a correction

EXPLANATION OF ABBREVIATIONS

- ac - Alternating current
- AML - Actual Measured Loss
- ANI - Automatic Number Identification
- AP - Program Audio
- AT&T - American Telephone and Telegraph Company
  
- BD - Business Day
- BHMC - Busy Hour Minutes of Capacity
  
- CAROT - Centralized Automatic Reporting on Trunks
- CI - Changes Interface
- CO - Central Office
- COCTX - Central Office Centrex
- Cont'd - Continued
- CPE - Customer Provided Equipment
- Ctx - Centrex

---

**ACCESS SERVICE**

dB	- decibel
dBrnC	- Decibel Reference Noise C-Message Weighing
dBrnC0	- Decibel Reference Noise C-Message Weighted O
dBv	- Decibel(s) Relative to 1 Volt (Reference)
dBvl	- Decibel(s) Relating to 1 Volt (Reference)
dc	- direct current
EDD	- Envelope Delay Distortion
ELEPL	- Equal Level Echo Path Loss
EML	- Expected Measured Loss
EPL	- Echo Path Loss
ERL	- Echo Return Loss
ESS	- Electronic Switching System
ESSX	- Electronic Switching System Exchange
f	- frequency
FID	- Field Identifier
FCC	- Federal Communications Commission
FX	- Foreign Exchange
HC	- High Capacity
Hz	- Hertz
IC	- Interexchange Carrier
ICB	- Individual Case Basis
ICL	- Inserted Connection Loss
KBPS	- Kilobits per second
KHZ	- Kilohertz
LATA	- Local Access and Transport Area

---

**ACCESS SERVICE**  
EXPLANATION OF ABBREVIATIONS (Cont'd)

Ma	- Milliampere
Mbps	- Megabits per second
MHz	- Megahertz
MMUC	- Minimum Monthly Usage Charge
MRC	- Monthly Recurring Charge
MT	- Metallic
MTS	- Message Telecommunications Service(s)
NPA	- Numbering Plan Area
NRC	- Nonrecurring Charge
NTS	- Non-Traffic Sensitive
NXX	- Three-Digit Central Office Code
OTPL	- Zero Transmission Level Point
PBX	- Private Branch Exchange
PCM	- Pulse Code Modulation
PLP	- Private Line Ringdown
POT	- Point of Termination
rms	- root-mean-square
RSM	- Remote Switching Modules
RSS	- Remote Switching Systems
SRL	- Singing Return Loss
SSN	- Switched Service Network
SWC	- Serving Wire Center
TES	- Telephone Exchange Service(s)
TLP	- Transmission Level Point
TSPS	- Traffic Service Position System
TV	- Television

---

**ACCESS SERVICE**  
EXPLANATION OF ABBREVIATIONS (Cont'd)

USOC - Uniform Service Order Code

VG - Voice Grade

V & H - Vertical and Horizontal

WA - Wideband Analog

WATS - Wide Area Telecommunications Service(s)

WD - Wideband Data

REFERENCE TO TARIFFS OR OTHER PRICE LISTS

Whenever reference is made in this Price List to other tariffs or price lists of the Telephone Company, the reference is to the tariffs or price lists in force as of the effective date of this Price List, and to amendments thereto and successive issues thereof.

USE OF THE PRICE LIST

This Price List contains the regulations, rates and charges applicable to the provision of Access Service by the Issuing Carrier listed on Title Page 2.

The regulations applicable to the provision of Access Service are contained in Sections 2 through 19.

Rates and charges for all Access Services are shown in Section 20. If an Issuing Carrier does not presently have a rate for one of the rate elements shown in Section 20, the rate is shown as "None". Upon receipt of an order by a customer for the service not presently offered, the Issuing Carrier will file with the Idaho PUC the appropriate information necessary to establish rates.

---

**ACCESS SERVICE**

REFERENCE TO TECHNICAL PUBLICATIONS

The following technical publications are referenced in this Price List and except for PUB AS No. 1, may be obtained from Literary Data Center, Inc., G.P.O. Box C-9014, Brooklyn, N.Y. 11202:

Compatibility Bulletin 106, Issue 2

Issued: December, 1981 Available: March 11, 1982

Technical Reference:

PUB 41451<sup>1</sup>

Issued: January, 1983 Available: May 17, 1983

PUB 60101

Issued: December, 1982 Available: January 17, 1983

PUB 41004

Issued: October, 1973 Available: October, 1973

PUB 62310

Issued: September, 1983 Available: October, 1983

PUB 62411

Issued: September, 1983 Available: October, 1983

PUB 62500

Issued: December, 1983 Available: March 15, 1984

PUB 62501

Issued: December, 1983 Available: March 15, 1984

---

<sup>1</sup> Status of this publication is in question regarding pending resolution of its applicability to Satellite Digital Service.



---

**ACCESS SERVICE**  
REFERENCE TO TECHNICAL PUBLICATIONS (Cont'd)

PUB 62501 Addendum Issued: March, 1984	Available:	April, 1984
PUB 62502 Issued: December, 1983	Available:	January, 1984
PUB 62503 Issued: December, 1983	Available:	March 15, 1984
PUB 62503 Addendum Issued: March, 1984	Available:	April, 1984
PUB 62504 Issued: December, 1984	Available:	March 15, 1984
PUB 62504 Addendum Issued: March, 1984	Available:	April, 1984
PUB 62505 Issued: December, 1983	Available:	January, 1984
PUB 62505 Addendum Issued: March, 1984	Available:	April, 1984
PUB 62506 Issued: December, 1983	Available:	January, 1984
PUB 62507 Issued: December, 1983	Available:	March 15, 1984
PUB 62508 Issued: December, 1983	Available:	January, 1984

---

**ACCESS SERVICE**

REFERENCE TO TECHNICAL PUBLICATIONS (Cont'd)

The following technical publication is referenced in this Price List and may be obtained from the Bell Communications Technical Education Center, Room 802, 6200 Route 53, Lisle, IL 60532.

Telecommunications Transmission Engineering  
Volume 3 - Networks and Services (Chapter 6 and 7)  
Second Edition, 1980  
Issued: June, 1980 Available: June, 1980

The following Technical Publication is referenced in this Price List and may be obtained from the National Exchange Carrier Association, Inc., Director - Price List and Regulatory Matters, 100 S. Jefferson Road, Whippany, NJ 07981 and the Federal Communications Commission's commercial contractor.

PUB AS No. 1, Issue II  
Issued: May, 1984 Available: May, 1984

The following publication is referenced in this Price List and may be obtained from the Federal Communications Commission's commercial contractor.

National Exchange Carrier Association  
Price List FCC No. 4  
Issued: March, 1984 Available: March, 1984

---

**ACCESS SERVICE**

1. APPLICATION OF PRICE LIST

1.1 This Price List contains regulations, rates and charges applicable to the provision of Carrier Common Line, Switched Access and Special Access Services, and other miscellaneous services, hereinafter referred to collectively as service(s), provided by the Issuing Carrier(s) of this Price List, hereinafter referred to as the Telephone Company, to customers.

1.2 The provision of such services by the Telephone Company as set forth in this Price List does not constitute a joint undertaking with the customer for the furnishing of any service.

1.3 This Price List is applicable to Intrastate Access Service for wire centers identified with the Company Code 2308 in NECA Tariff FCC No. 4.

**ACCESS SERVICE**

2. GENERAL REGULATIONS

2.1 Undertaking of the Telephone Company

2.1.1 Scope

- (A) The Telephone Company does not undertake to transmit messages under this Price List.
- (B) The Telephone Company shall be responsible only for the installation, operation and maintenance of the services it provides.
- (C) The Telephone Company will, for maintenance purposes, test its services only to the extent necessary to detect and/or clear troubles.
- (D) Services are provided 24 hours daily, seven days per week, except as set forth in other applicable sections of this Price List.
- (E) The Telephone Company does not warrant that its facilities and services meet standards other than those set forth in this Price List.

2.1.2 Limitations

- (A) The customer may not assign or transfer the use of services provided under this Price List; however, where there is no interruption of use or relocation of the services, such assignment or transfer may be made to:
  - (1) Another customer, whether an individual, partnership, association or corporation,

**ACCESS SERVICE**

2. GENERAL REGULATIONS (Cont'd)

2.1 Undertaking of the Telephone Company (Cont'd)

2.1.2 Limitations (Cont'd)

(A) (Cont'd)

(1) (Cont'd)

provided the assignee or transferee assumes all outstanding indebtedness for such services, and the unexpired portion of the minimum period and the termination liability applicable to such services, if any; or

(2) a court-appointed receiver, trustee or other person acting pursuant to law in bankruptcy, receivership, reorganization, insolvency, liquidation or other similar proceedings, provided the assignee or transferee assumes the unexpired portion of the minimum period and the termination liability applicable to such services, if any.

In all cases of assignment or transfer, the written acknowledgement of the Telephone Company is required prior to such assignment or transfer which acknowledgment shall be made within 15 days from the receipt of notification. All rates, regulations and conditions contained in this Price List shall apply to such assignee or transferee.

The assignment or transfer of services does not relieve or discharge the assignor or transferor from remaining jointly

**ACCESS SERVICE**

2. GENERAL REGULATIONS (Cont'd)

2.1 Undertaking of the Telephone Company (Cont'd)

2.1.2 Limitations (Cont'd)

(A) (Cont'd)

or severally liable with the assignee or transferee for any obligation existing at the time of the assignment or transfer.

(B) The use and restoration of services shall be in accordance with 47 CFR § 64, Subpart D, Appendix A, which specifies the priority system for such activities.

(C) Subject to compliance with the rules mentioned in (B) preceding, the services offered herein will be provided to customers on a first-come, first-served basis, except as outlined in (D) following.

(D) When an end office is scheduled to be converted to an equal access end office, and a shortage of facilities exists, the Telephone Company will allocate available resources to participating ICs as set forth in Section 5.1.1(C) following.

2.1.3 Liability

(A) The Telephone Company's liability, if any, for its willful misconduct, is not limited by this Price List. With respect to any other claim or suit, by a customer or by any others, for damages associated with the installation, provision,

**ACCESS SERVICE**

2. GENERAL REGULATIONS (Cont'd)

2.1 Undertaking of the Telephone Company (Cont'd)

2.1.3 Liability (Cont'd)

(A) (Cont'd)

termination, maintenance, repair or restoration, of service, and subject to the provisions of (B) through (H) following, the Telephone Company's liability except as set forth in 2.4.4 following, if any, shall not exceed an amount equal to the proportionate charge for the service for the period during which the service was affected. This liability for damages shall be in addition to any amounts that may otherwise be due the customer under this Price List as a Credit Allowance for Service Interruption.

(B) The Telephone Company shall not be liable for any act or omission of any other carrier or customer providing a portion of a service, nor shall the Telephone Company for its own act or omission hold liable any other carrier or customer providing a portion of a service.

(C) The Telephone Company is not liable for damages to the customer premises resulting from the furnishing of a service, including the installation and removal of equipment and associated wiring, unless the damage is caused by the Telephone Company's negligence.

(D) The Telephone Company shall be indemnified, defended and held harmless by the end user against any claim, loss or damage arising from the end user's use of the services offered under this Price List, involving:

**ACCESS SERVICE**

2. GENERAL REGULATIONS (Cont'd)

2.1 Undertaking of the Telephone Company (Cont'd)

2.1.3 Liability (Cont'd)

(D) (Cont'd)

- (1) Claims for libel, slander, invasion of privacy, or infringement of copyright arising from the end user's own communications;
- (2) Claims for patent infringement arising from the end user's acts combining or using the service furnished by the Telephone Company in connection with facilities or equipment furnished by the end user or IC or;
- (3) All other claims arising out of any act or omission of the end user in the course of using services provided pursuant to this Price List.

(E) The Telephone Company shall be indemnified, defended and held harmless by the IC against any claim, loss or damage arising from the IC's use of services offered under this Price List involving;

- (1) Claims for libel, slander, invasion of privacy, or infringement of copyright arising from the IC's own communications;
- (2) Claims for patent infringement arising from the IC's acts combining or using the service furnished by the Telephone Company in connection with facilities or equipment furnished by the end user or IC or;



**ACCESS SERVICE**

2. GENERAL REGULATIONS (Cont'd)

2.1 Undertaking of the Telephone Company (Cont'd)

2.1.3 Liability (Cont'd)

(E) (Cont'd)

(3) All other claims arising out of any act or omission of the IC in the course of using services provided pursuant to this Price List.

(F) The Telephone Company does not guarantee or make any warranty with respect to its services when used in an explosive atmosphere. The Telephone Company shall be indemnified, defended and held harmless by the customer from any and all claims by any person relating to such customer's use of services so provided.

(G) No license under patents (other than the limited license to use) is granted by the Telephone Company or shall be implied or arise by estoppel, with respect to any service offered under this Price List.

The Telephone Company will defend the customer against claims of patent infringement arising solely from the use by the customer of services offered under this Price List and will indemnify such customer for any damages awarded based solely on such claims.

(H) The Telephone Company's failure to provide or maintain services under this Price List shall be excused by labor difficulties, governmental orders, civil commotions, criminal actions taken against the Telephone Company,

**ACCESS SERVICE**

2. GENERAL REGULATIONS (Cont'd)

2.1 Undertaking of the Telephone Company (Cont'd)

2.1.3 Liability (Cont'd)

(H) (Cont'd)

acts of God and other circumstances beyond the Telephone Company's reasonable control, subject to the Credit Allowance for a Service Interruption as set forth in 2.4.4 following.

(I) The included tariff language does not constitute a determination by the Commission that a limitation of liability imposed by the Company should be upheld in a court of law. Acceptance for filing by the Commission recognizes that it is a court's responsibility to adjudicate negligence and consequential damage claims. It is also the court's responsibility to determine the validity of the exculpatory clause.

2.1.4 Provision of Services

The Telephone Company, to the extent that such services are or can be made available with reasonable effort, and after provision has been made for the Telephone Company's telephone exchange services, will provide to the customer upon reasonable notice services offered in other applicable sections of this Price List at rates and charges specified therein.

2.1.5 Installation and Termination of Services

The services provided under this Price List (A) will include any entrance cable or drop wiring and wire or intrabuilding cable to that point where provision is made for termination of the Telephone Company's outside distribution network facilities at a location at the customer-designated premises and (B) will be installed by the Telephone Company to such Point of Termination. The Telephone Company will work cooperatively with the customer to determine the location of the Point of Termination in accordance with the Telephone Company's standard operating procedures. Wire required within a building

**ACCESS SERVICE**

2. GENERAL REGULATIONS (Cont'd)

2.1 Undertaking of the Telephone Company (Cont'd)

2.1.5 Installation and Termination of Services (Cont'd)

to extend Access Service facilities will be provided, at the customer's request, on a time sensitive charge basis. The labor rates for the installation of such wire are the same as those set forth in Section 20 following.

2.1.6 Maintenance of Services

The services provided under this Price List shall be maintained by the Telephone Company. The customer or others may not rearrange, move, disconnect, remove or attempt to repair any facilities provided by the Telephone Company, other than by connection or disconnection to any interface means used, except with the written consent of the Telephone Company.

2.1.7 Changes and Substitutions

Except as provided for equipment and systems subject to 47 CFR § 68 at 47 CFR § 68.110(b), the Telephone Company may, where such action is reasonably required in the operation of its business, (A) substitute, change or rearrange any facilities used in providing service under this Price List, including but not limited to, (1) substitution of different metallic facilities, (2) substitution of carrier or derived facilities for metallic facilities used to provide other than metallic facilities and (3) substitution of metallic facilities for carrier or derived facilities used to provide other than metallic facilities, (B) change minimum protection criteria, (C) change operating or maintenance characteristics of facilities or

**ACCESS SERVICE**

<p>2. <u>GENERAL REGULATIONS</u> (Cont'd)</p> <p>2.1 <u>Undertaking of the Telephone Company</u> (Cont'd)</p> <p>2.1.7 <u>Changes and Substitutions</u> (Cont'd)</p> <p>(D) change operations or procedures of the Telephone Company. In case of any such substitution, change or rearrangement, the transmission parameters will be within the range as set forth in Sections 6 and 7, following. The Telephone Company shall not be responsible if any such substitution, change or rearrangement renders any customer furnished services obsolete or requires modification or alteration thereof or otherwise affects their use or performance. If such substitution, change or rearrangement materially affects the operating characteristics of the facility, the Telephone Company will provide reasonable notification to the customer in writing. Reasonable time will be allowed for any redesign and implementation required by the change in operating characteristics. The Telephone Company will work cooperatively with the customer to determine reasonable notification procedures.</p> <p>2.1.8 <u>Refusal and Discontinuance of Service</u></p> <p>(A) Unless the provisions of 2.2.1(B) or 2.5 following apply, if a customer fails to comply with 2.1.6 preceding or 2.2.2, 2.3.1, 2.3.4, 2.3.5 or 2.4 following, including any payments to be made by it on the dates and times herein specified, the Telephone Company may, on thirty (30) days written notice by Certified U.S. Mail to the person designated by that customer to receive such notices of noncompliance, refuse additional applications for service and/or refuse to complete any pending orders for service by the non-complying customer at any time thereafter.</p>	
---	--

**ACCESS SERVICE**

2. GENERAL REGULATIONS (Cont'd)

2.1 Undertaking of the Telephone Company (Cont'd)

2.1.8 Refusal and Discontinuance of Service (Cont'd)

(A) (Cont'd)

If the Telephone Company does not refuse additional applications for service on the date specified in the thirty (30) days notice, and the customer's noncompliance continues, nothing contained herein shall preclude the Telephone Company's right to refuse additional applications for service to the non-complying customer without further notice.

(B) Unless the provisions of 2.2.1(B) or 2.5 following apply, if a customer fails to comply with 2.1.6 preceding or 2.2.2, 2.3.1, 2.3.4, 2.3.5, 2.4 following, including any payments to be made by it on the dates and times herein specified, the Telephone Company may, on thirty (30) days written notice by Certified U.S. Mail to the person designated by that customer to receive such notices of noncompliance, discontinue the provision of the services to the non-complying customer at any time thereafter. In the case of such discontinuance, all applicable charges, including termination charges, shall become due. If the Telephone Company does not discontinue the provision of the services involved on the date specified in the thirty (30) days notice, and the customer's noncompliance continues, nothing contained herein shall preclude the Telephone Company's right to discontinue the provision of the services to the non-complying customer without further notice.

**ACCESS SERVICE**

<p>2. <u>GENERAL REGULATIONS</u> (Cont'd)</p> <p>2.1 <u>Undertaking of the Telephone Company</u> (Cont'd)</p> <p>2.1.9 <u>Limitation of Use of Metallic Facilities</u></p> <p>Signals applied to a metallic facility shall conform to the limitations set forth in Technical Reference Publication AS No.1. In the case of applications of dc telegraph signaling systems, the customer shall be responsible, at its expense, for the provision of current limiting devices to protect the Telephone Company facilities from excessive current due to abnormal conditions and for the provision of noise mitigation networks when required to reduce excessive noise.</p> <p>2.1.10 <u>Notification of Service-Affecting Activities</u></p> <p>The Telephone Company will provide the customer reasonable notification of service-affecting activities that may occur in normal operation of its business. Such activities may include, but are not limited to, equipment or facilities additions, removals or rearrangements, routine preventative maintenance and major switching machine change-out. Generally, such activities are not individual customer service specific, they affect many customer services. No specific advance notification period is applicable to all service-affecting activities. The Telephone Company will work cooperatively with the customer to determine the notification requirements.</p> <p>2.1.11 <u>Coordination with Respect to Network Contingencies</u></p> <p>The Telephone Company intends to work cooperatively with the customer to develop network contingency plans in order to maintain maximum network capability following natural or manmade disasters which affect telecommunications services.</p>	
--	--

---

**ACCESS SERVICE**

2. GENERAL REGULATIONS (Cont'd)

2.2 Use

2.2.1 Interference or Impairment

(A) The characteristics and methods of operation of any circuits, facilities or equipment provided by other than the Telephone Company and associated with the facilities utilized to provide services under this Price List shall not interfere with or impair service over any facilities of the Telephone Company, its affiliated companies, or its connecting and concurring carriers involved in its services, cause damage to their plant, impair the privacy of any communications carried over their facilities or create hazards to the employees of any of them or the public.

**ACCESS SERVICE**

2.	<u>GENERAL REGULATIONS</u> (Cont'd)	
2.2	<u>Use</u> (Cont'd)	
2.2.1	<u>Interference or Impairment</u> (Cont'd)	
	(B) Except as provided for equipment or systems subject to 47 CFR § 68 in 47 CFR § 68.108, if such characteristics or methods of operation are not in accordance with (A) preceding, the Telephone Company will, where practicable, notify the customer that temporary discontinuance of the use of a service may be required; however, where prior notice is not practicable, nothing contained herein shall be deemed to preclude the Telephone Company's right to temporarily discontinue forthwith the use of a service if such action is reasonable under the circumstances. In case of such temporary discontinuance, the customer will be promptly notified and afforded the opportunity to correct the condition which gave rise to the temporary discontinuance. During such period of temporary discontinuance, credit allowance for service interruptions as set forth in 2.4.4 following is not applicable.	
2.2.2	<u>Unlawful Use</u>	
	The service provided under this Price List shall not be used for an unlawful purpose.	



**ACCESS SERVICE**

2. GENERAL REGULATIONS (Cont'd)

2.3 Obligations of the Customer

2.3.1 Damages

The customer shall reimburse the Telephone Company for damages to Telephone Company facilities utilized to provide services under this Price List caused by the negligence or willful act of the customer, or resulting from the customer's improper use of the Telephone Company facilities, or due to malfunction of any facilities or equipment provided by other than the Telephone Company. Nothing in the foregoing provision shall be interpreted to hold one customer liable for another customer's actions. The Telephone Company will, upon reimbursement for damages, cooperate with the customer in prosecuting a claim against the person causing such damage and the customer shall be subrogated to the right of recovery by the Telephone Company for the damages to the extent of such payment.

2.3.2 Ownership of Facilities and Theft

Facilities utilized by the Telephone Company to provide service under the provisions of this Price List shall remain the property of the Telephone Company. Such facilities shall be returned to the Telephone Company by the customer, whenever requested, within a reasonable period following the request in as good condition as reasonable wear will permit.

2.3.3 Equipment Space and Power

The customer shall furnish or arrange to have furnished to the Telephone Company, at no charge, equipment space and

**ACCESS SERVICE**

<p>2. <u>GENERAL REGULATIONS</u> (Cont'd)</p> <p>2.3 <u>Obligations of the Customer</u> (Cont'd)</p> <p>2.3.3 <u>Equipment Space and Power</u> (Cont'd)</p> <p>electrical power required by the Telephone Company to provide services under this Price List at the points of termination of such services. The selection of ac of dc power shall be mutually agreed to by the customer and the Telephone Company. The customer shall also make necessary arrangements in order that the Telephone Company will have access to such spaces at reasonable times for installing, testing, repairing or removing Telephone Company services.</p> <p>2.3.4 <u>Availability for Testing</u></p> <p>The services provided under this Price List shall be available to the Telephone Company at times mutually agreed upon in order to permit the Telephone Company to make tests and adjustments appropriate for maintaining the services in satisfactory operating condition. Such tests and adjustments shall be completed within a reasonable time. No credit will be allowed for any interruptions involved during such tests and adjustments.</p> <p>2.3.5 <u>Balance</u></p> <p>All signals for transmission over the services provided under this Price List shall be delivered by the customer balanced to ground except for ground start, duplex (DX) and McCulloh-Loop (Alarm System) type signaling and dc telegraph transmission at speeds of 75 baud or less.</p>	
---	--

**ACCESS SERVICE**

2. GENERAL REGULATIONS (Cont'd)

2.3 Obligations of the Customer (Cont'd)

2.3.6 Design of Customer Services

Subject to the provisions of 2.1.7 preceding, the customer shall be solely responsible, at its own expense, for the overall design of its services and for any redesigning or rearrangement of its services which may be required because of changes in facilities, operations or procedures of the Telephone Company, minimum protection criteria or operating or maintenance characteristics of the facilities.

2.3.7 References to the Telephone Company

The customer may advise End Users that certain services are provided by the Telephone Company in connection with the service the customer furnishes to End Users; however, the customer shall not represent that the Telephone Company jointly participates in the customer's services.

2.3.8 Claims and Demands for Damages

(A) With respect to claims of patent infringement made by third persons, the customer shall defend, indemnify, protect and save harmless the Telephone Company from and against all claims arising out of the combining with, or use in connection with, the services provided under this Price List, any circuit, apparatus, system or method provided by the customer.

(A) The customer shall defend, indemnify and save harmless the Telephone Company from and against any suits, claims, losses or damages, including punitive damages,

**ACCESS SERVICE**

2. GENERAL REGULATIONS (Cont'd)

2.3 Obligations of the Customer (Cont'd)

2.3.8 Claims and Demands for Damages (Cont'd)

(B) (Cont'd)

attorney fees and court costs by third persons arising out of the construction, installation, operation, maintenance, or removal of the customer's circuits, facilities, or equipment connected to the Telephone Company's services provided under this Price List, including, without limitation, Workmen's Compensation claims, actions for infringement of copyright and/or unauthorized use of program material, libel and slander actions based on the content of communications transmitted over the customer's circuits, facilities or equipment, and proceedings to recover taxes, fines, or penalties for failure of the customer to obtain or maintain in effect any necessary certificates, permits, licenses, or other authority to acquire or operate the services provided under this Price List; provided, however the foregoing indemnification shall not apply to suits, claims and demands to recover damages for damage to property, death or personal injury unless such suits, claims or demands are based on the tortuous conduct of the customer, its officers, agents or employees.

(c)The customer shall defend, indemnify and save harmless the Telephone Company from and against any suits, claims, losses or damages, including punitive damages, attorney fees and court costs by the customer or third parties arising out of any act or omission of the customer in the course of using services provided under this Price List.

**ACCESS SERVICE**

2. GENERAL REGULATIONS (Cont'd)

2.3 Obligations of the Customer (Cont'd)

2.3.9 Coordination with Respect to Network Contingencies

The customer shall, in cooperation with the Telephone Company, coordinate in planning the actions to be taken to maintain maximum network capability following natural or man-made disasters, which affect telecommunications services.

2.3.10 Identification and Rating of VoIP-PSTN Traffic

(A) Scope

- (1) VoIP-PSTN Traffic is defined as traffic exchanged between the Telephone Company end user and the customer in time division multiplexing ("TDM") format that originates and/or terminates in Internet protocol ("IP") format. This section governs the identification of VoIP-PSTN Traffic that is required to be compensated at interstate access rates by the Federal Communications Commission in WC Docket No 10-90, Report and Order FCC-11-161. Specifically, this section establishes the method of separating such traffic (referred to in this tariff as "Relevant VoIP-PSTN Traffic") from the customer's traditional intrastate access traffic, so that such Relevant VoIP-PSTN Traffic can be billed in accordance with the FCC Order.

Interstate access rates are filed in its FCC Tariff:

**ZiPLY Fiber TARIFF FCC NO. 1.**

The FCC Tariff may be accessed on the Internet at the following url:

<http://carrier.frontiercorp.com/crtf/tariffs/index.cfm?fuseaction=fc&stateID=&sctnID=8&companyID=15>

**ACCESS SERVICE**

2. GENERAL REGULATIONS (Cont'd)

2.3 Obligations of the Customer (Cont'd)

2.3.10 Identification and Rating of VoIP-PSTN Traffic (Cont'd)

(A) Scope (Cont'd)

- (2) This section will be applied to the billing of switched access charges to a customer that is a local exchange carrier only to the extent that the customer has also implemented billing of interstate access charges for Relevant VoIP-PSTN Traffic in accordance with the FCC Order.

(B) Rating of VoIP-PSTN Traffic

- (1) The Relevant VoIP-PSTN Traffic identified in accordance with this tariff section will be billed at rates equal to the Telephone Company's applicable tariffed interstate switched access rates as specified in the Telephone Company's applicable Federal Access Tariff.
- (2) As of July 13,2012, any intrastate originating Toll VOIP-PSTN Traffic will be billed at rates equal to the Company's intrastate originating switched access rates as provided in this Price List. Beginning July 1,2014, any intrastate originating Toll VOIP-PSTN Traffic identified in accordance with this Price List section will be billed at rates equal to the Telephone Company's relevant interstate switched access rates as provided in the Telephone Company's applicable Federal Access Tariff.

(C) Calculation and Application of Percent-VoIP-Usage Factor

The Telephone Company will determine the number of Relevant VoIP-PSTN Traffic minutes of use ("MOU") to which interstate rates will be applied under subsection (B), above, by applying a Percent VoIP Usage ("PVU") factor to the total intrastate access MOU exchanges with The Telephone Company from the customer. The PVU will be derived and applied as follows:

- (1) The customer will calculate and furnish to the Telephone Company a factor (the "PVU") representing the percentage of the total intrastate and interstate access MOU that the customer exchanges with the Telephone Company in the State, that is sent to the Telephone Company and that originated in IP format; or is received by the Telephone Company and terminated in IP format. This PVU shall be based on information such as traffic studies, actual call detail, or other relevant and verifiable information.

**ACCESS SERVICE**

2. GENERAL REGULATIONS (Cont'd)

2.3 Obligations of the Customer (Cont'd)

2.3.10 Identification and Rating of VoIP-PSTN Traffic (Cont'd)

(C) Calculation and Application of Percent-VoIP-Usage Factor (Cont'd)

- (2) The Telephone Company will, likewise, calculate a factor (the "PVU-T") representing the percentage of the Telephone Company's total intrastate access MOU in the State that the Telephone Company originates or terminates on its network in IP format. This PVU-T shall be based on information, such as the number of the Telephone Company's retail VoIP subscriptions in the state, traffic studies, actual call detail, or other relevant and verifiable information.
- (3) The Telephone Company will use the PVU-C and PVU-T factors to calculate a PVU factor that represents the percentage of total intrastate MOU exchanged between a Telephone Company end user and the customer that is originated or terminated in IP format, whether at the Telephone Company's end, at the customer's end, or at both ends. The PVU factor will be calculated as the sum of: (A) the PVU-C factor and (B) the PVU-T factor times (1.0 minus the PVU-C factor).
- (4) The Telephone Company will apply the PVU factor to the total terminating intrastate access MOU received from the customer to determine the number of Relevant VoIP-PSTN Traffic MOUs.
- (5) If the customer does not furnish the Telephone Company with a PVU pursuant to the preceding paragraph 1, the Telephone Company will utilize a PVU equal to zero.

(D) Initial PVU Factor

If the PVU factor is not available and/or cannot be implemented in the Telephone Company's billing systems by January 1, 2012, once the factor is available and can be implemented the Telephone Company will adjust the customer's bills to reflect the PVU retroactively to January 1, 2012. This retroactive adjustment will be made to January 1, 2012, provided that the customer provides the factor to the Telephone Company no later than April 15, 2012; otherwise, it will set the initial PVU equal to zero, as specified in subsection (C)(1), preceding.

**ACCESS SERVICE**

2. GENERAL REGULATIONS (Cont'd)

2.3 Obligations of the Customer (Cont'd)

2.3.10 Identification and Rating of VoIP-PSTN Traffic (Cont'd)

(E) PVU Factor Updates

The customer may update the PVU factor quarterly using the method set forth in subsection (C)(1), above. If the customer chooses to submit such updates, it shall forward to the Telephone Company, no later than 15 days after the first day of January, April, July and/or October of each year, a revised PVU factor based on data for the prior three months, ending the last day of December, March, June and September, respectively. The revised PVU factor will apply prospectively and serve as the basis for billing until superseded by a new PVU.

(F) PVU Factor Verification

Not more than four times in any year, the Telephone Company may ask the customer to verify the PVU factor furnished to the Telephone Company. The party so requested shall comply, and shall reasonably provide the records and other information used to determine the PVU factors.



**ACCESS SERVICE**

2. GENERAL REGULATIONS (Cont'd)

2.4 Payment Arrangements and Credit Allowances

2.4.1 Payment of Rates, Charges and Deposits

(A) The Telephone Company will, in order to safeguard its interests, only require a customer which has a proven history of late payments to the Telephone Company or does not have established credit, to make a deposit prior to or at any time after the provision of a service to the customer to be held by the Telephone Company as a guarantee of the payment of rates and charges. No such deposit will be required of a customer which is a successor of a company which has established credit and has no history of late payments to the Telephone Company. Such deposit may not exceed the actual or estimated rates and charges for the service for a two-month period. The fact that a deposit has been made in no way relieves the customer from complying with the Telephone Company's regulations as to the prompt payment of bills. At such time as the provision of the service to the customer is terminated, the amount of the deposit will be credited to the customer's account and any credit balance, which may remain will be refunded.

Such a deposit will be refunded or credited to the account when the customer has established credit or, in any event, after the customer has established a one-year prompt payment record at any time prior to the termination of the provision of the service to the customer. In case of a cash deposit, for the period the deposit is held by the Telephone Company, the customer will receive simple annual interest at a rate prescribed by the Commission. Should a deposit be credited to the customer's account, as indicated above, no interest will accrue on the deposit from the date such deposit is credited to the customer's account.

(B) The Telephone Company shall bill on a current basis all charges incurred by and credits due to the customer under this Price List attributable to services established or discontinued during the preceding billing period. In addition, the Telephone Company shall bill in advance charges for all services to be provided during the ensuing billing period except for charges associated with service usage and for the Federal Government which will be billed in arrears. The bill day (i.e., the billing date of a bill for a customer for Access Service under this Price List), the period of service each bill covers and the payment date will be as follows:

**ACCESS SERVICE**

2. GENERAL REGULATIONS (Cont'd)

2.4 Payment Arrangements and Credit Allowances (Cont'd)

2.4.1 Payment of Rates, Charges and Deposits (Cont'd)

(B) (Cont'd)

- (1) For End User Access Service and Presubscription Service, the Telephone Company will establish a bill day each month for each end user account. The bill will cover End User Access Service charges for the ensuing billing period except for End User Access Service for the Federal Government, which will be billed in arrears. Any applicable Presubscription Charges, any known unbilled charges for prior periods and any known unbilled adjustments for prior periods for End User Access Service and Presubscription Service will be applied to this bill. Such bills are due when rendered.
- (2) For Service other than End User Access Service and Presubscription Service, the Telephone Company will establish a bill day each month for each customer account. The bill will cover non-usage sensitive service charges except Feature Group A and B per month charges for the ensuing billing period for which the bill is rendered, any known unbilled non-usage sensitive charges for prior periods and unbilled usage charges. Any known unbilled usage charges for prior periods and known unbilled adjustments will be applied to this bill. Payment for such bills are due as set forth in (3) following. If

**ACCESS SERVICE**

2. GENERAL REGULATIONS (Cont'd)

2.4 Payment Arrangements and Credit Allowances (Cont'd)

2.4.1 Payment of Rates, Charges and Deposits (Cont'd)

(B) (Cont'd)

(2) (Cont'd)

payment is not received by the payment date, as set forth in (3) following in immediately available funds, a late payment penalty will apply as set forth in (3) following.

(3) (a) All bills dated as set forth in (2) preceding for service, other than End User Service and Presubscription Service, provided to the customer by the Telephone Company are due 31 days (payment date) after the bill date or by the next bill date (i.e., same date in the following month as the bill date), whichever is the shortest interval, except as provided herein, and are payable in immediately available funds. If such payment date would cause payment to be due on a Saturday, Sunday or Holiday (i.e. New Year's Day, Independence Day, Labor Day, Thanksgiving Day, Christmas Day, the second Tuesday in November and the day when Washington's Birthday, Memorial Day or Columbus Day is legally observed), payment for such bills will be due from the customer as follows:

**ACCESS SERVICE**

2. GENERAL REGULATIONS (Cont'd)

2.4 Payment Arrangements and Credit Allowances (Cont'd)

2.4.1 Payment of Rates, Charges and Deposits (Cont'd)

(B) (Cont'd)

(3) (Cont'd)

(a) (Cont'd)

If such payment date falls on Sunday or on a Holiday, which is observed on a Monday, the payment date shall be the first non-Holiday day following such Sunday or Holiday. If such payment date falls on a Saturday or on a Holiday, which is observed on Tuesday, Wednesday, Thursday or Friday, the payment date shall be the last non-Holiday day preceding such Saturday or Holiday.

(b) Further, if any portion of the payment is received by the Telephone Company after the payment date as set forth in (3)(a) preceding, or if any portion of the payment is received by the Telephone Company in funds which are not immediately available to the Telephone Company, then a late payment penalty shall be due to the Telephone Company in addition to the outstanding amount. The late payment penalty shall be the portion of the payment not received by the payment date times the percentage rate for deposit interest as set forth in 2.4.1(A).

**ACCESS SERVICE**

2. GENERAL REGULATIONS (Cont'd)

2.4 Payment Arrangements and Credit Allowances (Cont'd)

2.4.1 Payment of Rates, Charges and Deposits (Cont'd)

(B) (Cont'd)

(3) (Cont'd)

(c) In the event that a billing dispute concerning any charges billed to the customer by the Telephone Company is resolved in favor of the Telephone Company, any payments withheld pending settlement of the dispute shall be subject to the late payment penalty set forth in (3)(b) preceding. If the customer disputes the bill on or before the payment date, and pays the undisputed amount on or before the payment date, any late payment charge for the disputed amount will not start until 10 days after the payment date. If the billing dispute is resolved in favor of the customer, no late payment penalty will apply to the disputed amount. In addition, if the customer disputes the billed amount and pays the total amount (i.e., the nondisputed amount and the disputed amount) on or before the payment date and the billing dispute is resolved in the favor of the customer, the customer will receive a credit for a disputed amount penalty from the Telephone Company if the billing dispute is not resolved within 10 working days following the payment date or the date the customer furnishes to the

**ACCESS SERVICE**

2. GENERAL REGULATIONS (Cont'd)

2.4 Payment Arrangements and Credit Allowances (Cont'd)

2.4.1 Payment of Rates, Charges and Deposits (Cont'd)

(B) (Cont'd)

(3) (Cont'd)

(c) (Cont'd)

Telephone Company documentation to support its claim plus 10 working days, whichever date is the later date. The disputed amount penalty shall be the disputed amount resolved in the customer's favor times a penalty factor. The penalty factor is as set forth in (b) preceding.

(C) When payment for Access Service charges billed under this Price List is due to the Telephone Company from the customer as set forth in 2.4.1(B)(3) preceding on the same payment date that a Purchase of Accounts Receivable net purchase amount is due to the customer from the Telephone Company, the Telephone Company may, with at least 31 days notice to the customer, net the payment for customer Access Service Charges with the net purchase amount. The Telephone Company will pay the net amount to the customer on the payment day when such net amount is due to the customer or require the customer to pay to the Telephone Company the net amount when such net amount is due to the Telephone

**ACCESS SERVICE**

<p>2. <u>GENERAL REGULATIONS</u> (Cont'd)</p> <p>2.4 <u>Payment Arrangements and Credit Allowances</u> (Cont'd)</p> <p>2.4.1 <u>Payment of Rates, Charges and Deposits</u> (Cont'd)</p> <p>(C) (Cont'd)</p> <p>Company. If either party does not make the payment on the payment date, a late payment penalty as set forth in 2.4.1(B)(3) preceding, whichever is appropriate applies.</p> <p>(D) Adjustments for the quantities of services established or discontinued in any billing period beyond the minimum period set forth for services in other sections of this Price List will be prorated to the number of days or major fraction of days based on a 30 day month. The Telephone Company will, upon request and if available, furnish such detailed information as may reasonably be required for verification of any bill.</p> <p>(E) When a rate as set forth in this Price List is shown to more than two decimal places, the charges will be determined using the rate shown. The resulting amount will then be rounded to the nearest penny (i.e., rounded to two decimal places.)</p> <p>(F) When more than one copy of a customer bill for services provided under the provisions of this Price List is furnished to the customer, an additional charge applies for each additional copy of the bill as set forth in Section 11.3.5 following.</p>	
---	--

**ACCESS SERVICE**

<p>2.     <u>GENERAL REGULATIONS</u> (Cont'd)</p> <p>2.4    <u>Payment Arrangements and Credit Allowances</u> (Cont'd)</p> <p>      2.4.2    <u>Minimum Periods</u></p> <p>                  The minimum period for which services are provided and for which rates and charges are applicable is one month except as otherwise specified.</p> <p>                  The minimum period for which service is provided and for which rates and charges are applicable for a Specialized Service or Arrangement provided on an individual case basis as set forth in Section 10 following, is one month unless a different minimum period is established with the individual case filing.</p> <p>                  When a service is discontinued prior to the expiration of the minimum period, charges are applicable, whether the service is used or not, as follows:</p> <p>                  (A)    When a service with a one month minimum period is discontinued prior to the expiration of the minimum period, a one month charge will apply at the rate level in effect at the time service is discontinued.</p> <p>                  (B)    When a service with a minimum period greater than one month is discontinued prior to the expiration of the minimum period, the applicable charge will be the lesser of (1) the Telephone Company's total non-recoverable costs less the net salvage value for the discontinued service or (2) the total monthly charges, at the rate level in effect at the time service is discontinued, for the remainder of the minimum period.</p>	
---	--



**ACCESS SERVICE**

2. GENERAL REGULATIONS (Cont'd)

2.4 Payment Arrangements and Credit Allowances (Cont'd)

2.4.3 Cancellation of an Order for Service

Provisions for the cancellation of an order for service are set forth in other applicable sections of this Price List.

2.4.4 Credit Allowance for Service Interruptions

(A) General

A service is interrupted when it becomes unusable to the customer because of a failure of a facility component used to furnish service under this Price List or in the event that the protective controls applied by the Telephone Company result in the complete loss of service by the customer as set forth in Section 6., following. An interruption period starts when an inoperative service is reported to the Telephone Company, and ends when the service is operative.

For purposes of this section of the Price List, "major fraction" is defined as that time period representing one-half or more of the incremental time period used to apply the credit allowance for those specific services listed in (B) following.

(B) When a Credit Allowance Applies

In case of an interruption to any service, allowance for the period of interruption, if not due to the negligence of the customer, shall be as follows:

**ACCESS SERVICE**

2. GENERAL REGULATIONS (Cont'd)

2.4 Payment Arrangements and Credit Allowances (Cont'd)

2.4.4 Credit Allowance for Service Interruptions (Cont'd)

(B) When a Credit Allowance Applies (Cont'd)

- (1) For Special Access Services other than Program Audio and Video Services, no credit shall be allowed for an interruption of less than 30 minutes. The customer shall be credited for an interruption of 30 minutes or more at the rate of 1/1440 of the monthly charges for the facility or service for each period of 30 minutes or major fraction thereof that the interruption continues.

The monthly charges used to determine the credit shall be as follows:

- (a) For two point services, the monthly charge shall be the total of all the monthly rate element charges associated with the service (i.e., two circuit terminations, circuit mileage and optional features and functions).
- (b) For multipoint services, the monthly charge shall be only the total of all the monthly rate element charges associated with that portion of the service that is inoperative (i.e., a circuit termination per customer premises, circuit mileage and optional features and functions).

**ACCESS SERVICE**

<p>2. <u>GENERAL REGULATIONS</u> (Cont'd)</p> <p>2.4 <u>Payment Arrangements and Credit Allowances</u> (Cont'd)</p> <p>2.4.4 <u>Credit Allowance for Service Interruptions</u> (Cont'd)</p> <p>(B) <u>When a Credit Allowance Applies</u> (Cont'd)</p> <p>(1) (Cont'd)</p> <p>(c) For multiplexed services, the monthly charge shall be the total of all the monthly rate element charges associated with that portion of the service that is inoperative. When the facility which is multiplexed or the multiplexer itself is inoperative, the monthly charge shall be the total of all the monthly rate element charges associated with the service (i.e., the circuit termination, circuit mileage and optional features and functions, including the multiplexer on the facility to the hub, and the circuit terminations, circuit mileages and optional features and functions on the individual services from the hub). When the service which rides a circuit of the multiplexed facility is inoperative, the monthly charge shall be the total of all the monthly rate element charges associated with that portion of the service from the Hub to a customer premises (i.e., circuit termination, circuit mileage and optional features and functions).</p>	
--	--

**ACCESS SERVICE**

2. GENERAL REGULATIONS (Cont'd)

2.4 Payment Arrangements and Credit Allowances (Cont'd)

2.4.4 Credit Allowance for Service Interruptions (Cont'd)

(B) When a Credit Allowance Applies (Cont'd)

- (2) For Program Audio and Video Special Access Services, no credit shall be allowed for an interruption of less than 30 seconds. The customer shall be credited for an interruption of 30 seconds or more as follows:
  - (a) For two-point services, when monthly rates are applicable, the credit shall be at the rate of 1/8640 of the monthly charges for the service for each period of 5 minutes or major fraction thereof that the interruption continues.
  - (b) For two-point services, when monthly rates are applicable, the credit shall be at the rate of 1/288 of the daily charges for the service for each period of 5 minutes or major fraction thereof that the interruption continues.
  - (b) For multipoint services, when monthly rates are applicable, the credit shall be at the rate of 1/8640 of the monthly charges for each circuit termination, circuit mileage and optional features and functions that is inoperative for each period of 5 minutes or major fraction thereof that the interruption continues.

**ACCESS SERVICE**

<p>2. <u>GENERAL REGULATIONS</u> (Cont'd)</p> <p>2.4 <u>Payment Arrangements and Credit Allowances</u> (Cont'd)</p> <p>2.4.4 <u>Credit Allowance for Service Interruptions</u> (Cont'd)</p> <p>(B) <u>When a Credit Allowance Applies</u> (Cont'd)</p> <p>(2) (Cont'd)</p> <p>(d) For multipoint services, when daily rates are applicable, the credit shall be at the daily rate of 1/288 of the daily charges for each circuit termination, circuit mileage and optional features and functions that is inoperative for each period of 5 minutes or major fraction thereof that the interruption continues.</p> <p>(e) For multipoint services, the credit for the monthly or daily charges includes the charges for the distribution amplifier only when the distribution amplifier is inoperative.</p> <p>(f) When two or more interruptions occur during a period of 5 consecutive minutes, such multiple interruptions shall be considered as one interruption.</p> <p>(3) For Switched Access Service, no credit shall be allowed for an interruption of less than 24 hours. The customer shall be credited for an interruption of 24 hours or more at the rate of 1/30 of the applicable monthly rates or minimum monthly usage charge for each period of 24 hours or major fraction thereof that the interruption continues.</p>	
---	--

**ACCESS SERVICE**

<p>2. <u>GENERAL REGULATIONS</u> (Cont'd)</p> <p>2.4 <u>Payment Arrangements and Credit Allowances</u> (Cont'd)</p> <p>2.4.4 <u>Credit Allowance for Service Interruptions</u> (Cont'd)</p> <p>(B) <u>When a Credit Allowance Applies</u> (Cont'd)</p> <p>(4) The credit allowance(s) for an interruption or for a series of interruptions shall not exceed the monthly rate and minimum monthly usage charge for the service interrupted in any one monthly billing period.</p> <p>(5) For certain Special Access services (Wideband Digital, WD1-3; Digital Data Access, DA1-4; and High Capacity, HC1), any period during which the error performance is below that specified for the service will be considered as an interruption.</p> <p>(6) Service interruptions for Specialized Service or Arrangements provided under the provisions of Section 10. following shall be administered in the same manner as those set forth in this section (2.4.4) unless other regulations are specified with the individual case filing.</p> <p>(C) <u>When a Credit Allowance Does Not Apply</u></p> <p>No credit allowance will be made for:</p> <p>(1) Interruptions caused by the negligence of the customer.</p>	
--	--

**ACCESS SERVICE**

<p>2. <u>GENERAL REGULATIONS</u> (Cont'd)</p> <p>2.4 <u>Payment Arrangements and Credit Allowances</u> (Cont'd)</p> <p>2.4.4 <u>Credit Allowance for Service Interruptions</u> (Cont'd)</p> <p>(C) <u>When a Credit Allowance Does Not Apply</u> (Cont'd)</p> <p>(2) Interruptions of a service due to the failure of equipment or systems provided by the customer or others.</p> <p>(3) Interruptions of service during any period in which the Telephone Company is not afforded access to the premises where the service is terminated.</p> <p>(4) Interruptions of service when the customer has released that service to the Telephone Company for maintenance purposes, to make rearrangements, or for the implementation of an order for a change in the service during the time that was negotiated with the customer prior to the release of that service. Thereafter, a credit allowance as set forth in (B) preceding applies.</p> <p>(5) Interruptions of a service, which continue because of the failure of the customer to authorize replacement of any element of special construction. The period for which no credit allowance is made begins on the seventh day after the customer receives the Telephone Company's written notification of the need for such replacement and ends on the day after receipt by the Telephone Company of the customer's written authorization for such replacement.</p>	
--	--

**ACCESS SERVICE**

2. GENERAL REGULATIONS (Cont'd)

2.4 Payment Arrangements and Credit Allowances (Cont'd)

2.4.4 Credit Allowance for Service Interruptions (Cont'd)

(C) When a Credit Allowance Does Not Apply (Cont'd)

- (6) Periods when the customer elects not to release the service of testing and/or repair and continues to use it on an impaired basis.
- (7) An interruption or a group of interruptions, resulting from a common cause, for amounts less than one dollar.

(D) Use of an Alternative Service Provided by the Telephone Company

Should the customer elect to use an alternative service provided by the Telephone Company during the period that a service is interrupted, the customer must pay the Price Listed rates and charges for the alternative service used.

(E) Temporary Surrender of a Service

In certain instances, the customer may be requested by the Telephone Company to surrender a service for purposes other than maintenance, testing or activity relating to a service order. If the customer consents, a credit allowance will be granted. The credit allowance will be 1/440 of the monthly rate for each period of 30 minutes or fraction thereof that the service is surrendered. In no case will the credit allowance exceed the monthly rate for the service surrendered in any one monthly billing period.



**ACCESS SERVICE**

2. GENERAL REGULATIONS (Cont'd)

2.4 Payment Arrangements and Credit Allowances (Cont'd)

2.4.5 Re-establishment of Service Following Fire, Flood or Other Occurrence

(A) Nonrecurring Charges Do Not Apply

Charges do not apply for the re-establishment of service following a fire, flood or other occurrence attributed to an Act of God provided that:

- (1) The service is of the same type as was provided prior to the fire, flood or other occurrence.
- (2) The service is for the same customer.
- (3) The service is at the same location on the same premises.
- (4) The re-establishment of service begins within 60 days after Telephone Company service is available. (The 60 day period may be extended a reasonable period if the renovation of the original location on the premises affected is not practical within the allotted time period.)

(B) Nonrecurring Charges Apply

Nonrecurring Charges apply for establishing service at a different location on the same premises or at a different premise pending re-establishment of service at the original location.

**ACCESS SERVICE**

<p>2. <u>GENERAL REGULATIONS</u> (Cont'd)</p> <p>2.4 <u>Payment Arrangements and Credit Allowances</u> (Cont'd)</p> <p>2.4.6 <u>Title or Ownership Rights</u></p> <p>The payment of rates and charges by Customers for the services offered under the provisions of this Price List does not assign, confer or transfer title or ownership rights to proposals or facilities developed or utilized, respectively, by the Telephone Company in the provision of such services.</p> <p>2.4.7 <u>Access Services Provided by More Than One Telephone Company</u></p> <p>The Telephone Company will perform the rating and billing of Access Services under this Price List where more than one Telephone Company is involved in the provision of Access service as set forth below.</p> <p>(A) The Telephone Company will perform the rating and billing of Switched and Special Access Services under this Price List where more than one Telephone Company is involved in the provision of Access Service as follows:</p> <p>(1) For Feature Group A and B Switched Access Services, ordered to an end office or access tandem not converted to equal access, the Telephone Company that receives the order from the customer, as specified in Section 5.2.1(A)(1), will determine the applicable charges in accordance with its Access Services Tariff or Price List and bill the customer accordingly.</p>	
---	--

**ACCESS SERVICE**

2. GENERAL REGULATIONS (Cont'd)

2.4 Payment Arrangements and Credit Allowances (Cont'd)

2.4.7 Access Services Provided by More Than One Telephone Company (Cont'd)

(A) (Cont'd)

(2) For Feature Group C and D Switched Access Services, Feature Group A and B Switched Access Services ordered to an equal access end office, or access tandem and, at the Telephone Company's option, certain Telephone Company designated end offices or access tandems not converted to equal access, each individual Telephone Company that receives an order from the customer, as specified in Section 5.2.1(A)(2), will determine the applicable charges in accordance with its Access Services Tariff or Price List and bill the customer accordingly. Determination of the applicable mileage and charges of the Local Transport Mileage rate element, as specified in Section 6., is set forth in (a) and (b) following. All Telephone Company locations at which switched access services are billed in this manner are referenced in Section 14 of this Price List.

(a) Determine the distance in airline miles using the V&H method set forth in National Exchange Carrier Association Tariff FCC No. 4, between the Telephone Company's end office switch and the customer's serving wire center.

**ACCESS SERVICE**

<p>2. <u>GENERAL REGULATIONS</u> (Cont'd)</p> <p>2.4 <u>Payment Arrangements and Credit Allowances</u> (Cont'd)</p> <p>2.4.7 <u>Access Services Provided by More Than One Telephone Company</u> (Cont'd)</p> <p>(A) (Cont'd)</p> <p>(2) (Cont'd)</p> <p>(b) Determine the rate for the airline mileage developed in (a) preceding using the telephone company's Price List. Multiply the rate times the billing percentage times the applicable number of access minutes of use to determine the appropriate local transport mileage charges. The billing percentage is that portion of local transport to be billed by each company and is mutually agreed upon by the Telephone Companies involved in providing Access Services to the customer.</p> <p>(3) For Special Access Services, each individual Telephone Company that receives an order from the customer, as specified in Section 5.2.1(A)(2), will determine the applicable charges in accordance with its Access Services Tariff or Price List and bill the customer accordingly. Determination of applicable mileage and charges of the per mile component of the Circuit Mileage rate element, as specified in Section 7.1.2(B), are set forth in (a) and (b) following.</p>	
---	--

**ACCESS SERVICE**

2. GENERAL REGULATIONS (Cont'd)

2.4 Payment Arrangements and Credit Allowances (Cont'd)

2.4.7 Access Services Provided by More Than One Telephone Company (Cont'd)

(A) (Cont'd)

(3) (Cont'd)

- (a) Determine the distance in airline miles using the V&H method set forth in National Exchange Carrier Association Tariff FCC No.4, between the locations involved; i.e., the serving wire centers associated with two customer designated premises, a serving wire center associated with a customer designated premise and a Telephone Company hub, or two Telephone Company hubs.
- (b) The airline distance in miles developed in (a) above will be multiplied by the billing percentage times the applicable rate to determine the appropriate circuit mileage charges. The billing percentage is that portion of circuit mileage to be billed by each company and is mutually agreed upon by the Telephone Companies involved in providing Access Services to the customer. Billing percentages are referenced in Section 14 of this Price List.

**ACCESS SERVICE**

2. GENERAL REGULATIONS (Cont'd)

2.5 Connections

Equipment and Systems (i.e., terminal equipment, multiline terminating systems and communications systems) may be connected with Switched and Special Access Service furnished by the Telephone Company where such connection is made in accordance with the provisions specified in Technical Reference Publication AS No. 1 and in 2.1 preceding.

2.6 Definitions

Certain terms used herein are defined as follows:

Access Code

The term "Access Code" denotes a uniform five or seven digit code assigned by the Telephone Company to an individual customer. The five-digit code has the form 10XXX, and the seven-digit code has the form 950-1XXX or 950-0XXX.

Access Minutes

The term "Access Minutes" denotes that usage of exchange facilities in intrastate or foreign service for the purpose of calculating chargeable usage. On the originating end of an intrastate or foreign call, usage is measured from the time the originating end user's call is delivered by the Telephone Company to and acknowledged as received by the customer's facilities connected with the originating exchange. On the terminating end of an intrastate or foreign call, usage is measured from the time the call is received by the end user in the terminating exchange. Timing of usage at both originating and terminating ends of an intrastate or foreign call shall terminate when the calling or called party disconnects, whichever event is recognized first in the originating and terminating exchanges, as applicable.

**ACCESS SERVICE**

2. GENERAL REGULATIONS (Cont'd)

2.6 Definitions (Cont'd)

Access Tandem

The term "Access Tandem" denotes a Telephone Company switching system that provides a concentration and distribution function for originating and/or terminating traffic between end offices and a customer's premises.

Actual Cost

The term "Actual Cost" denotes all costs charged against a specific case of special construction, including any appropriate taxes.

Annual Underutilization Liability

The term "Annual Underutilization Liability" denotes a per unit amount which may be billed annually if fewer services are in use utilizing specially constructed facilities at filed Price List rates than were originally specially constructed.

Answer/Disconnect Supervision

The term "Answer/Disconnect Supervision" denotes the transmission of the switch trunk equipment supervisory signal (off-hook or on-hook) to the customer's point of termination as an indication that the called party has answered or disconnected.

Attenuation Distortion

The term "Attenuation Distortion" denotes the difference in loss at specified frequencies relative to the loss at 1004 Hz, unless otherwise specified.

**ACCESS SERVICE**

2. GENERAL REGULATIONS (Cont'd)

2.6 Definitions (Cont'd)

Balance (100 Type) Test Line

The term "Balance (100 Type) Test Line" denotes an arrangement in an end office, which provides for balance and noise testing.

Bit

The term "Bit" denotes the smallest unit of information in binary system of notation.

Business Day

The term "Business Day" denotes the times of day that a company is open for business. Generally, in the business community, these are 8:00 or 9:00 am to 5:00 or 6:00 pm, respectively, with an hour for lunch, Monday through Friday, resulting in a standard forty (40)-hour work week. However, Business Day hours for the Telephone Company may vary based on company policy, union contract and location.

Busy Hour Minutes of Capacity (BHMC)

The term "Busy Hour Minutes of Capacity (BHMC)" denotes the customer specified maximum amount of Switched Access Service access minutes the customer expects to be handled in an end office switch during any hour in an 8:00 am to 11:00 pm period for the Feature Group ordered. This customer furnished BHMC quantity is the input data the Telephone Company uses to determine the number of transmission paths for the Feature Group ordered.



**ACCESS SERVICE**

2. GENERAL REGULATIONS (Cont'd)

2.6 Definitions (Cont'd)

Call

The term "Call" denotes a customer attempt for which the complete address code (e.g., 0-, 911, or 10 digits) is provided to the serving dial tone office.

Carrier or Common Carrier

See Interexchange Carrier.

CCS

The term "CCS" denotes a hundred call seconds, which is a standard unit of traffic load that is equal to 100 seconds of usage or capacity of a group of servers (e.g., trunks).

Central Office

The term "Central Office" denotes a local Telephone Company switching system where Telephone Exchange Service customer station loops are terminated for purposes of interconnection to each other and to trunks.

Central Office Prefix

The term "Central Office Prefix" denotes the first three digits (NXX) of the seven digit telephone number assigned to a customer's Telephone Exchange Service when dialed on a local basis.

**ACCESS SERVICE**

2. GENERAL REGULATIONS (Cont'd)

2.6 Definitions (Cont'd)

Centralized Automatic Reporting on Trunks Testing

The term "Centralized Automatic Reporting on Trunks Testing" denotes a type of testing which includes the capacity for measuring operational and transmission parameters.

Circuit(s)

The term "Circuit(s)" denotes an electrical or photonic, in the case of fiber optic-based transmission systems, communications path between two or more points of termination.

Channel Service Unit

The term "Channel Service Unit" denotes equipment which performs one or more of the following functions: termination of a digital facility, regeneration, or digital signals, detection and/or correction of signal format error, and remote loop back.

Channelize

The term "Channelize" denotes the process of multiplexing- demultiplexing wider bandwidth or higher speed channels into narrow band-width or lower speed channels.

C-Message Noise

The term "C-Message Noise" denotes the frequency weighted average noise within an idle voice channel. The frequency weighting, called C-message, is used to simulate the frequency characteristic of the 500-type telephone set and the hearing of the average subscriber.

**ACCESS SERVICE**

2. GENERAL REGULATIONS (Cont'd)

2.6 Definitions (Cont'd)

C-Notched Noise

The term "C-Notched Noise" denotes the C-message frequency weighted noise on a voice channel with a holding tone, which is removed at the measuring end through a notch (very narrow band) filter.

Coin Station

The term "Coin Station" denotes a location where Telephone Company equipment is provided in a public or semipublic place where the Telephone Company customers can originate telephone communications and pay the applicable charges by inserting coins into the equipment.

Common Line

The term "Common Line" denotes a line, trunk, pay telephone line or other facility provided under the general and/or local exchange service Price Lists of the Telephone Company, terminated on a central office switch. A common line-residence is a line or trunk provided under the residence regulations of the general and/or local exchange service Price Lists. A common line-business is a line provided under the business regulations of the general and/or local exchange service Price Lists.

Communications System

The term "Communications System" denotes channels and other facilities which are capable of communications between terminal equipment provided by other than the Telephone Company.

**ACCESS SERVICE**

2. GENERAL REGULATIONS (Cont'd)

2.6 Definitions (Cont'd)

Customer(s)

The term "Customer(s)" denotes any individual, partnership, association, joint-stock company, trust, corporation, or governmental entity or other entity which subscribes to the services offered under this Price List, including both Interexchange Carriers (ICs) and End Users.

Customer Designated Premises (CDP)

A CDP may be designated by the customer for Switched Access, Special Access, or both in combination. When a customer orders Special Access to connect to a Telephone Company Switch, that switch is a CDP where the Special Access Service Terminates. Customer transmission facilities and equipment terminated in Telephone Company central offices under EIS arrangements, as defined in ZiPLY Fiber Tariff No.1, Section 16 are not considered a CDP. However, Telephone Company Special Access Services may be interconnected to such customer equipment using a Cross Connect arrangement.

Data Transmission (107 Type) Test Line

The term "Data Transmissions (107 Type) Test Line" denotes an arrangement, which provides for a connection to a signal source which provides test signals for one-way testing of data and voice transmission parameters.

Decibel

The term "Decibel" denotes a unit used to express relative differences in power, usually between acoustic or electric signals, equal to ten (10) times the common logarithm of the ratio of two signal powers.

Decibel Reference Noise C-Message Weighting

The term "Decibel Reference Noise C-Message Weighting" denotes noise power measurements with C-Message Weighting in decibels relative to a reference 1000 Hz tone of 90 dB below 1 milliwatt.

Decibel Reference Noise C-Message Referenced to 0

The term "Decibel Reference Noise C-Message Referenced to 0" denotes noise power in "Decibel Reference Noise C-Message Weighting" referred to or measured at a zero transmission level point.

**ACCESS SERVICE**

2. GENERAL REGULATIONS (Cont'd)

2.6 Definitions (Cont'd)

Detail Billing

The term "Detail Billing" denotes the listing of each message and/or rate element for which charges to a customer are due on a bill prepared by the Telephone Company.

Dual Tone Multifrequency Address Signaling

The term "Dual Tone Multifrequency Address Signaling" denotes a type of signaling that is an optional feature of Switched Access Feature Group A. It may be utilized when Feature Group A is being used in the terminating direction (from the point of termination with the customer to the local exchange end office). An office arranged for Dual Tone Multifrequency Signaling would expect to receive address signals from the customer in the form of Dual Tone Multifrequency signals.

Echo Control

The term "Echo control" denotes the control of reflected signals in a telephone transmission path.

Echo Path Loss

The term "Echo Path Loss" denotes the measure of reflected signal at a 4-wire point of interface without regard to the send and receive Transmission Level Point.

Echo Return Loss

The term "Echo Return Loss" denotes a frequency weighted measure of return loss over the middle of the voice band (approximately 500 to 2500 Hz), where talker echo is most annoying.

**ACCESS SERVICE**

2. GENERAL REGULATIONS (Cont'd)

2.6 Definitions (Cont'd)

Effective 2-Wire

The term "Effective 2-Wire" denotes a condition which permits the simultaneous transmission in both directions over a channel, but it is not possible to insure independent information transmission in both directions. Effective 2-wire channels may be terminated with 2-wire or 4-wire interfaces.

Effective 4-Wire

The term "Effective 4-Wire" denotes a condition that permits the simultaneous independent transmission of information in both directions over a channel. The method of implementing effective 4-wire transmission is at the discretion of the Telephone Company (physical, time domain, frequency-domain separation or echo cancellation techniques). Effective 4-wire channels may be terminated with a 2-wire interface at the customer's premises. However, when terminated 2-wire, simultaneous independent transmission cannot be supported because the two wire interface combines the transmission paths into a single path.

End Office Switch

The term "End Office Switch" denotes a local Telephone Company switching system where Telephone Exchange Service customer station loops are terminated for purposes of interconnection to each other and to trunks. Included may be Remote Switching Modules and Remote Switching Systems served by a host office in a different wire center.

**ACCESS SERVICE**

2. GENERAL REGULATIONS (Cont'd)

2.6 Definitions (Cont'd)

End User

The term "End User" denotes any customer of intrastate or foreign telecommunications service that is not a carrier, except that a carrier shall be deemed to be an "end user" to the extent that such carrier uses a telecommunications service for administrative purposes, without making such service available to others, directly or indirectly.

Entry Switch

See First Point of Switching

Envelope Delay Distortion

The term "Envelope Delay Distortion" denotes a measure of the linearity of the phase versus frequency of a channel.

Equal Level Echo Path Loss

The term "Equal Level Echo Path Loss" (ELEPL) denotes the measure of Echo Path Loss (EPL) at a 4-wire interface which is corrected by the difference between the send and receive Transmission Level Point (TLP). [ELEPL = TLP (send) + TLP (receive)]

Estimated Cost

The term "Estimated Cost" denotes all estimated costs that will be incurred in providing a specific case of special construction, including any appropriate taxes.

**ACCESS SERVICE**

2. GENERAL REGULATIONS (Cont'd)

2.6 Definitions (Cont'd)

Expected Measured Loss

The term "Expected Measured Loss" denotes a calculated loss which specifies the end-to-end 1004-Hz loss on a terminated test connection between two readily accessible manual or remote test points. It is the sum of the inserted connection loss and test access loss including any test pads.

Exchange

The term "Exchange" denotes a unit generally smaller than a local access and transport area, established by the Telephone Company for the administration of communications service in a specified area which usually embraces a city, town or village and its environs. It consists of one or more central offices together with the associated facilities used in furnishing communications service within the area. One or more designated exchanges comprise a given local access and transport area.

Facilities

The term "Facilities" denotes any cable, poles, conduit, microwave or carrier equipment, wire center distribution frames, central office switching equipment, etc., utilized to provide intrastate services.

Field Identifier

The term "Field Identifier" denotes two to four characters that are used on service orders to convey specific instructions. Field Identifiers may or may not have associated data. Selected Field Identifiers are used in Telephone Company billing systems to generate nonrecurring charges.



**ACCESS SERVICE**

2. GENERAL REGULATIONS (Cont'd)

2.6 Definitions (Cont'd)

First Come - First Served

The term "First Come - First Served" denotes a procedure followed by the Telephone Company to process fully completed Access Orders according to the sequence in which they are received.

First Point of Switching

The term "First Point of Switching" denotes the first Telephone Company location at which switching occurs on the terminating path of a call proceeding from the customer premises to the terminating end office and, at the same time, the last Telephone Company location at which switching occurs on the originating path of a call proceeding from the originating end office to the customer premises.

Frequency Shift

The term "Frequency Shift" denotes the change in the frequency of a tone as it is transmitted over a channel.

Grandfathered

The term "Grandfathered" denotes Terminal Equipment, Multiline Terminating Systems and Protective Circuitry directly connected to the facilities utilized to provide services under the provisions of this Price List and which are considered grandfathered under 47 CFR § 68.

**ACCESS SERVICE**

2. GENERAL REGULATIONS (Cont'd)

2.6 Definitions (Cont'd)

Host Office

The term "Host Office" denotes an electronic switching system which provides call processing capabilities for one or more Remote Switching Modules or Remote Switching Systems.

Immediately Available Funds

The term "Immediately Available Funds" denotes a corporate or personal check drawn on a bank account and funds which are available for use by the receiving party on the same day on which they are received and include U.S. Federal Reserve bank wire transfers, U.S. Federal Reserve notes (paper cash), U.S. coins, U.S. Postal Money Orders and New York Certificates of Deposit.

Impedance Balance

The term "Impedance Balance" denotes the method of expressing Echo Return Loss and Singing Return Loss at a 4-wire interface whereby the gains and/or loss of the 4-wire portion of the transmission path, including the hybrid, are not included in the specification.

Impulse Noise

The term "Impulse Noise" denotes any momentary occurrence of the noise on a channel over a specified level threshold. It is evaluated by counting the number of occurrences which exceed the threshold.

**ACCESS SERVICE**

2. GENERAL REGULATIONS (Cont'd)

2.6 Definitions (Cont'd)

Individual Case Basis

The term "Individual Case Basis" denotes a condition in which the regulations, if applicable, rates and charges for an offering under the provisions of this Price List are developed based on the circumstances in each case.

Initial Liability Period

The term "Initial Liability Period" denotes the initial planning period during which the customer expects to place specially constructed facilities in service.

Inserted Connection Loss

The term "Inserted Connection Loss" denotes the 1004 H2 power difference (in dB) between the maximum power available at the originating end and the actual power reaching the terminating end through the inserted connection.

Installed Cost

The term "Installed Cost" denotes the total investment (estimated or actual) required by the Telephone Company to provide specially constructed facilities.

**ACCESS SERVICE**

2. GENERAL REGULATIONS (Cont'd)

2.6 Definitions (Cont'd)

Interexchange Carrier (IC) or Interexchange Common Carrier

The terms "Interexchange Carrier" (IC) or "Interexchange Common Carrier" denotes any individual, partnership, association, joint-stock company, trust, governmental entity or corporation engaged for hire in intrastate or foreign communications by wire or radio, between two or more exchanges.

Intermodulation Distortion

The term "Intermodulation Distortion" denotes a measure of the nonlinearity of a channel. It is measured using four tones, and evaluating the ratios (in dB) of the transmitted composite four-tone signal power to the second-order products of the tones (R2), and the third-order products of the tones (R3).

Interstate Communications

The term "Interstate Communications" denotes both interstate and foreign communications.

Intrastate Communications

The term "Intrastate Communications" denotes any communications within a state subject to oversight by a state regulatory commission as provided by the laws of the state involved.

Line Side Connection

The term "Line Side Connection" denotes a connection of a transmission path to the line side of a local exchange switching system.

**ACCESS SERVICE**

2. GENERAL REGULATIONS (Cont'd)

2.6 Definitions (Cont'd)

Local Access and Transport Area

The term "Local Access and Transport Area" (LATA) denotes a geographic area established by the Telephone Company for the provision and administration of its communications service. It encompasses one or more Telephone Company designated exchanges which are configured in relative proximity to one another and may be reconfigured by the Telephone Company in the normal operation of its business. As used herein, the term LATA refers only to these Telephone Company designated exchanges and does not necessarily have any predetermined association with the term LATA used by other exchange carriers.

Local Tandem Switch

The term "Local Tandem Switch" denotes a local Telephone Company switching unit by which local or access telephonic communications are switched to and from an End Office Switch.

Loop Around Test Line

The term "Loop Around Test Line" denotes an arrangement utilizing a Telephone Company central office to provide a means to make certain two-way transmission tests on a manual basis. This arrangement has two central office terminations, each reached by means of separate telephone numbers and does not require any specific customer premises equipment. Equipment subject to this test arrangement is at the discretion of the customer.

**ACCESS SERVICE**

2. GENERAL REGULATIONS (Cont'd)

2.6 Definitions (Cont'd)

Loss Deviation

The term "Loss Deviation" denotes the variation of the actual loss from the designed value.

Maximum Termination Liability

The term "Maximum Termination Liability" denotes the maximum amount which may be billed if all services using specially constructed facilities are terminated prior to the expiration of the Maximum Termination Liability Period.

Maximum Termination Liability Period

The term "Maximum Termination Liability Period" denotes the length of time for which a termination charge may apply if all services using specially constructed facilities are terminated.

Message

The term "Message" denotes a "call" as defined preceding.

Milliwatt (102 Type) Test Line

The term "Milliwatt (102 Type) Test Line" denotes an arrangement in an end office which provides a 1004 Hz tone at 0 dBm0 for one-way transmission measurements towards the customer's premises from the Telephone Company end office.

**ACCESS SERVICE**

2. GENERAL REGULATIONS (Cont'd)

2.6 Definitions (Cont'd)

Net Salvage

The term "Net Salvage" denotes the estimated scrap, sale, or trade-in value, less the estimated cost of removal. Cost of removal includes the costs of demolishing, tearing down, or otherwise disposing of the material and any other applicable costs. Since the cost of removal may exceed salvage value, net salvage may be negative.

Network Control Signaling

The term "Network Control Signaling" denotes the transmission of signals used in the telecommunications system which perform functions such as supervision (control, status, and charge signals), address signaling (e.g., dialing), calling and called number identifications, rate of flow, service selection error control and audible tone signals (call progress signals indicating re-order or busy conditions, alerting, coin denominations, coin collect and coin return tones) to control the operation of the telecommunications system.

Nonrecoverable Cost

The term "Nonrecoverable Cost" denotes the cost of specially constructed facilities for which the Telephone Company has no foreseeable use should the service be terminated.

Nonsynchronous Test Line

The term "Nonsynchronous Test Line" denotes an arrangement in step-by-step end offices which provides operational tests which are not as complete as those provided by the synchronous test lines, but can be made more rapidly.

**ACCESS SERVICE**

2. GENERAL REGULATIONS (Cont'd)

2.6 Definitions (Cont'd)

Normal Construction

The term "Normal Construction" denotes all facilities the Telephone Company would normally use to provide services in the absence of a requirement for special construction.

Normal Cost

The term "Normal Cost" denotes the estimated cost to provide services using normal construction.

North American Numbering Plan

The term "North American Numbering Plan" denotes a three-digit area (Numbering Plan Area) code and a seven-digit telephone number made up of a three-digit Central Office code plus a four-digit station number.

Off-hook

The term "Off-hook" denotes the active condition of Switched Access or a Telephone Exchange Service line.

On-hook

The term "On-hook" denotes the idle condition of Switched Access or a Telephone Exchange Service line.



**ACCESS SERVICE**

2. GENERAL REGULATIONS (Cont'd)

2.6 Definitions (Cont'd)

Open Circuit Test Line

The term "Open Circuit Test Line" denotes an arrangement in an end office which provides an ac circuit termination of a trunk or line by means of an inductor of several Henries.

Originating Direction

The term "Originating Direction" denotes the use of access service for the origination of calls from an End User Premises to an IC Premises.

Pay Telephone

The term "Pay Telephone" denotes Telephone Company provided instruments and related facilities that are available to the general public for public convenience and necessity, including public and semipublic telephones, and coinless telephones.

Permanent Facilities

The term "Permanent Facilities" denotes facilities providing service for one month or more.

Phase Jitter

The term "Phase Jitter" denotes the unwanted phase variations of a signal.

**ACCESS SERVICE**

2. GENERAL REGULATIONS (Cont'd)

2.6 Definitions (Cont'd)

Point of Termination

The term "Point of Termination" denotes the point of demarcation at a customer-designated premises at which the Telephone Company's responsibility for the provision of Access Service ends.

Premises

The term "Premises" denotes a building or buildings on continuous property (except Railroad Right-of-Way, etc.) not separated by a public highway.

Recoverable Cost

The term "Recoverable Cost" denotes the cost of the specially constructed facilities for which the Telephone Company has a foreseeable reuse, either in place or elsewhere, should the service be terminated.

Remote Switching Modules and/or Remote Switching Systems

The term "Remote Switching Modules and/or Remote Switching Systems" denotes remotely controlled electronic end office switches which obtain their call processing capability from an ESS-type Host Office. The Remote Switching Modules and/or Remote Switching Systems cannot accommodate direct trunks to an IC.

Return Loss

The term "Return Loss" denotes a measure of the similarity between the two impedances at the junction of two transmission paths. The higher the return loss, the higher the similarity.

**ACCESS SERVICE**

2. GENERAL REGULATIONS (Cont'd)

2.6 Definitions (Cont'd)

Registered Equipment

The term "Registered Equipment" denotes the customer's premises equipment which complies with and has been approved within the Registration Provisions of 47 CFR § 68.

Serving Wire Center

The term "Serving Wire Center" denotes that Telephone Company designated wire center serving the customer's designated premises and used for mileage measurement to determine local transport or circuit mileage charges for Access Service.

Seven Digit Manual Test Line

The term "Seven Digit Manual Test Line" denotes an arrangement that allows the Customer to select balance, milliwatt and synchronous test lines by manually dialing a seven digit number over the associated access connection.

Shortage of Facilities or Equipment

The term "Shortage of Facilities or Equipment" denotes a condition that occurs when the Telephone Company does not have appropriate cable, switching capacity, bridging or, multiplexing equipment, etc., necessary to provide the Access Service requested by the customer.

**ACCESS SERVICE**

2. GENERAL REGULATIONS (Cont'd)

2.6 Definitions (Cont'd)

Short Circuit Test Line

The term "Short Circuit Test Line" denotes an arrangement in an end office which provides for an ac short circuit termination of a trunk or line by means of a capacitor of at least four microfarads.

Signal-to-C-Notched Noise Ratio

The term "Signal-to-C-Notched Noise Ratio" denotes the ratio in dB of a test signal to the corresponding C-Notched Noise.

Singing Return Loss

The term "Singing Return Loss" denotes the frequency weighted measure of return loss at the edges of the voice band (200 to 500 Hz and 2500 to 3200 Hz), where singing (instability) problems are most likely to occur.

Special Order

The term "Special Order" denotes an order for a Billing and Collection Service.

Subtending End Office of an Access Tandem

The term "Subtending End Office of an Access Tandem" denotes an end office that has final trunk routing through that tandem.

**ACCESS SERVICE**

2. GENERAL REGULATIONS (Cont'd)

2.6 Definitions (Cont'd)

Synchronous Test Line

The term "Synchronous Test Line" denotes an arrangement in an end office which performs marginal operational tests of supervisory and ring-tripping functions.

Terminating Direction

The term "Terminating Direction" denotes the use of Access Service for the completion of calls from an IC premises to an End User Premises.

Termination Charge

The term "Termination Charge" denotes the portion of the Maximum Termination Liability that is applied as a nonrecurring charge when all services are discontinued prior to the expiration of the specified liability period.

Transmission Measuring (105 Type) Test Line/Responder

The term "Transmission Measuring (105 Type) Test Line/Responder" denotes an arrangement in an end office which provides far-end access to a responder and permits two-way loss and noise measurements to be made on trunks from a near end office.

Transmission Path

The Term "Transmission Path" denotes an electrical path capable of transmitting signals within the range of the service offering, e.g., a voice grade transmission path is capable of transmitting voice

**ACCESS SERVICE**

2. GENERAL REGULATIONS (Cont'd)

2.6 Definitions (Cont'd)

Transmission Path (Cont'd)

frequencies within the approximate range of 300 to 3000 Hz. A transmission path is comprised of physical or derived facilities consisting of any form or configuration of plant typically used in the telecommunications industry.

Trunk

The term "Trunk" denotes a communications path connecting two switching systems in a network, used in the establishment of an end-to-end connection.

Trunk Group

The term "Trunk Group" denotes a set of trunks which are traffic engineered as a unit for the establishment of connections between switching systems in which all of the communications paths are interchangeable.

Trunk Side Connection

The term "Trunk Side Connection" denotes the connection of a transmission path to the trunk side of a local exchange switching system.

Two-Wire to Four-Wire Conversion

The term "Two-Wire to Four-Wire Conversion" denotes an arrangement which converts a four-wire transmission path to a two-wire transmission path to allow a four-wire facility to terminate to a two-wire entity (e.g., a central office switch).

**ACCESS SERVICE**

2. GENERAL REGULATIONS (Cont'd)

2.6 Definitions (Cont'd)

Uniform Service Order Code

The term "Uniform Service Order Code" denotes a three or five character alphabetic, numeric, or an alphanumeric code that identifies a specific item of service or equipment. Uniform Service Order Codes are used in the Telephone Company billing system to generate recurring rates and nonrecurring charges.

V and H Coordinates Method

The term "V and H Coordinates Method" denotes a method of computing airline miles between two points by utilizing an established formula, which is based on the vertical and horizontal coordinates of the two points.

Wire Center

The term "Wire Center" denotes a building in which one or more central offices, including end office switches, used for the provision of Telephone Exchange Services, are located.

**ACCESS SERVICE**

3. CARRIER COMMON LINE ACCESS SERVICE

The Telephone Company will provide Carrier Common Line Access Service (Carrier Common Line Access) to customers.

3.1 General Description

Carrier Common Line Access provides for the use of Telephone Company common lines by customers for access to end users to furnish Intrastate Communications.

Carrier Common Line Access is provided where the customer obtains Telephone Company Switched Access Service under this Price List.

3.2 Limitations

- (A) A telephone number is not provided with Carrier Common Line Access.
- (B) Detail billing is not provided for Carrier Common Line Access.
- (C) Directory listings are not included in the rates and charges for Carrier Common Line Access.
- (D) Intercept arrangements are not included in the rates and charges for Carrier Common Line Access.
- (E) All line side connections provided in the same combined access group will be limited to the same features and operating characteristics.
- (F) All trunk side connections provided in the same combined access group will be limited to the same features and operating characteristics.



**ACCESS SERVICE**

<p>3. <u>CARRIER COMMON LINE ACCESS SERVICE</u> (Cont'd)</p> <p>3.2 <u>Limitations</u> (Cont'd)</p> <p>(G) Where WATS Access Service is provided which terminates at a WATS Serving Office, minutes which are carried on that service (i.e., originating minutes for outward WATS and WATS-type services and terminating minutes for inward WATS and WATS-type services) shall not be assessed Carrier Common Line Access per minute charges.</p> <p>3.3 <u>Undertaking of the Telephone Company</u></p> <p>(A) Where the customer is provided with Switched Access Service under other sections of this Price List, the Telephone Company will provide the use of Telephone Company common lines by a customer for access to end users at rates and charges as set forth in Section 20 following.</p> <p>(B) When access to the local exchange is required to provide a MTS/WATS-type service using a resold Private Line Service Switched Access Service Rates and Regulations, as set forth in Section 6, following will apply. Carrier Common Line Access rates and charges as set forth in Section 20 will also apply.</p> <p>(C) The Switched Access Service provided by the Telephone Company includes the Switched Access Service provided for both interstate and intrastate communications and the Carrier Common Line Access rates and charges as set forth in Section 20 following apply in accordance with the regulations set forth in 3.5(E) following.</p>	
--	--

**ACCESS SERVICE**

<p>3. <u>CARRIER COMMON LINE ACCESS SERVICE</u> (Cont'd)</p> <p>3.3 <u>Undertaking of the Telephone Company</u> (Cont'd)</p> <p>(D) When the IC is provided Operator Trunk-Coin or Combined Coin and Non-Coin or Operator Trunk-Full Feature Optional Features for sent-paid pay telephone access as set forth in Section 6 following, the Telephone Company will collect sent-paid monies from pay telephone stations and will remit monies to the IC as set forth in 3.4(G) following. The Telephone Company will provide message call detail format and bill periods used to determine the monies upon request from the IC.</p> <p>3.4 <u>Obligations of the Customer</u></p> <p>(A) The Switched Access Service associated with Carrier Common Line Access shall be ordered by the customer under other sections of this Price List.</p> <p>(B) The customer facilities at the premises of ordering customer shall provide the necessary on-hook and off-hook supervision.</p> <p>(C) All Switched Access Service provided to the customer will be subject to Carrier Common Line Access charges.</p> <p>(D) When the customer reports interstate and intrastate use of Switched Access Service, the associated Carrier Common Line Access used by the customer for intrastate will be determined as set forth in 3.5(E) following.</p> <p>(E) Where Feature Group C end office switching is provided without Telephone Company recording and the IC records minutes of use which will be used to determine Carrier Common Line Access charges (i.e., Feature Group C operator</p>	
--	--

**ACCESS SERVICE**

<p>3. <u>CARRIER COMMON LINE ACCESS SERVICE</u> (Cont'd)</p> <p>3.4 <u>Obligations of the Customer</u> (Cont'd)</p> <p>(E) (Cont'd)</p> <p>and TSPS calls such as pay telephone sent-paid, operator-DDD, operator-person, collect, credit-card, third number and/or other like calls), the IC shall furnish such minutes of use detail to the Telephone Company's billing entity (billing entity) in a timely manner. If the IC does not furnish the data to the billing entity, the IC shall identify all Switched Access Service, which could carry such calls in order for the billing entity to accumulate the minutes of use through the use of special Telephone Company measuring and recording equipment.</p> <p>(F) When the customer orders Switched Access Service, the Telephone Company or the billing entity may request when resold MTS/WATS is involved, a certified copy of the customer's MTS/WATS usage billing from either the customer or the provider of the MTS/WATS Service and/or when resold MTS/WATS-type service is involved, a certified copy of the customer's MTS/WATS-type usage billing from either the customer or the provider of the MTS/WATS-type service. The requests for this billing will relate back no more than 12 months prior to the current billing period.</p> <p>(G) Where Operator Trunk-Coin or Combined Coin and Non-Coin or Operator Trunk-Full Feature Optional Features for sent-paid pay telephone access is provided to the IC and the IC wishes to receive the monies it is due for the monies collected by the Telephone Company from coin pay telephone stations, the IC shall furnish to the Telephone Company, at a location</p>	
--	--

**ACCESS SERVICE**

3. CARRIER COMMON LINE ACCESS SERVICE (Cont'd)

3.4 Obligations of the Customer (Cont'd)

(G) (Cont'd)

specified by the Telephone Company, the IC message call detail for the IC sent-paid (coin) pay telephone calls in accordance with the Telephone Company collection schedule. The IC message call detail furnished shall be in a standard format established by the Telephone Company. If no IC message call detail is received from the IC for each bill period established by the Telephone Company, the Telephone Company will assume there were no IC sent-paid (coin) pay telephone calls for the period. In addition the IC shall furnish a schedule of its charges for sent-paid (coin) calls to the Telephone Company at a location and date as specified by the Telephone Company. Any change in the IC's schedule of charges shall be furnished to the Telephone Company one day after the change becomes effective.

3.5 Rate Regulations

(A) The Carrier Common Line Access charges will be billed to each Switched Access Service provided under this Price List in accordance with the regulations as set forth in (E), except as set forth in (D).

(B) When access minutes are used to determine the Carrier Common Line Access charges, they will be accumulated using call detail recorded by Telephone Company equipment except as set forth in (C) following and Feature Group C operator and TSPS call detail such as pay telephone sent-paid, operator-DDD, operator-person, collect, credit-card, third number and/or other like calls recorded by the customer. The Telephone Company measuring and recording equipment except as set

**ACCESS SERVICE**

<p>3. <u>CARRIER COMMON LINE ACCESS SERVICE</u> (Cont'd)</p> <p>3.5 <u>Rate Regulations</u> (Cont'd)</p> <p>(B) (Cont'd)</p> <p>forth in (C) following will be associated with end office or local tandem switching equipment and will record each originating and terminating access minute where answer supervision is received. The accumulated access minutes will be summed on a line by line basis, by line group or by end office, whichever type of account is used by the Telephone Company, for each customer and then rounded to the nearest minute.</p> <p>(C) When Carrier Common Line Access is provided in association with Feature Group A or Feature Group B Switched Access Service in Telephone Company offices that are not equipped for measurement capabilities, an assumed average intrastate access minutes will be used to determine the charges. These assumed access minutes are as set forth in Section 6., of this Price List.</p> <p>(D) When the customer reports interstate and intrastate use of in-service Switched Access Service, the Carrier Common Line Access charges will be billed only to intrastate Switched Access Service access minutes based on the data reported by the customer as set forth in Section 6., following. The intrastate Switched Access Service access minutes will be used to determine the Carrier Common Line Charges as set for the in (E) following.</p>
--

**ACCESS SERVICE**

<p>3. <u>CARRIER COMMON LINE ACCESS SERVICE</u> (Cont'd)</p> <p>3.5 <u>Rate Regulations</u> (Cont'd)</p> <p>(E) After the adjustments as set forth in (D) preceding have been applied to the Switched Access Service access minutes, the charges for the involved customer account will be determined as follows:</p> <p>(1) The access minutes for Feature Groups A, B, C or D Switched Access will be multiplied by the per minute rate as set forth in Section 20 following to determine the charges.</p> <p>3.6 <u>Rates and Charges</u></p> <p>The rate for Carrier Common Line Access is as set forth in Section 20.</p>	
--	--

**ACCESS SERVICE**

4. END USER ACCESS SERVICE

4.1 General

The Telephone Company will provide an End User Common Line to End Users who obtain local exchange service from the Telephone Company. The offerings contained in this section are available only to End Users.

The End User Common Line (EUCL) provides for the use of local exchange service by an End User.

Use of a EUCL is provided 24 hours a day, seven days a week.

The Telephone Company will be responsible for contacts and arrangements with End Users for End User per month charges.

**ACCESS SERVICE**

5. ORDERING OPTIONS FOR SWITCHED AND SPECIAL ACCESS SERVICE

5.1 General

This section sets forth the regulations and order related charges for Access Orders for Switched and Special Access Services. These charges are in addition to other applicable charges as set forth in other sections of this Price List.

An Access Order is an order to provide the customer with Switched Access Service or Special Access Service or to provide changes to existing services.

5.1.1 Ordering Conditions

- (A) A customer may order any number of services of the same type and between the same premises on a single Access Order. All details for services for a particular order must be identical except for those for multipoint service.
- (B) The customer shall provide all information necessary for the Telephone Company to provide and bill for the requested service. In addition to the order information required in 5.2 following, the customer must also provide:
  - Customer name and premises address (es).
  - Billing name and address (when different from customer name and address).
  - Customer contact name(s) and telephone number(s) for the following provisioning activities: order negotiation, order confirmation, interactive design, installation and billing.



**ACCESS SERVICE**

5. ORDERING OPTIONS FOR SWITCHED AND SPECIAL ACCESS SERVICE (Cont'd)

5.1 General (Cont'd)

5.1.1 Ordering Conditions (Cont'd)

- (C) Orders for Feature Group A Switched Access Service shall be in lines.  
Orders for Feature Group B Switched Access Service shall be in trunks.

When an office is scheduled to be converted to equal access, the IC must place an order for FGD service no later than 120 days prior to the end office equal access conversion date in order for the IC to participate in the presubscription process.

In the event a shortage of FGD resources exists, the Telephone Company will make every reasonable effort to meet all access service requests as of the equal access conversion date. In the event these efforts are unsuccessful, the Telephone Company will notify all ICs requesting FGD service that a shortage of facilities exists and allocation of available facilities among participating ICs is necessary.

The available resources are determined by the Telephone Company and represent the equipment and facility quantities necessary to provide FGD service, excluding intraLATA FGC and interLATA FGC terminating resources currently in service. If the interLATA FGC trunks are arranged to carry two-way traffic, one half will be considered available resources.

FGD resources are allocated to each IC based on the percent of end users that are presubscribed to that IC as counted 30 days prior to the conversion date. For

**ACCESS SERVICE**

5. ORDERING OPTIONS FOR SWITCHED AND SPECIAL ACCESS SERVICE (Cont'd)

5.1 General (Cont'd)

5.1.1 Ordering Conditions (Cont'd)

(C) (Cont'd)

example, if 10% of end users in an end office scheduled to be converted to equal access are presubscribed to a particular IC, 10% of the total available FGD services will be allocated to that IC.

The quantity of resources in service for each IC as determined by the allocation process will be adjusted on the basis of actual usage and blocking measurements. Actual usage adjustments will be made within 90 days after conversion to equal access. If necessary, this reallocation process will continue at three-month intervals until all initial service requests have been met.

An Access Service Request (ASR) is required from the customer to add 1+ coin traffic from an end office. At the customer's option, the ASR can be issued at a 1+ coin tandem or end office level. For an initial customer order at a 1+ coin tandem, the Telephone Company must receive the request at least 120 calendar days prior to the requested effective date. Standard provisioning intervals will apply to subsequent orders involving that 1+ coin tandem.

The customer must provide the Telephone Company with written notification stating that an order is being

**ACCESS SERVICE**

<p>5. <u>ORDERING OPTIONS FOR SWITCHED AND SPECIAL ACCESS SERVICE</u> (Cont'd)</p> <p>5.1 <u>General</u> (Cont'd)</p> <p>5.1.1 <u>Ordering Conditions</u> (Cont'd)</p> <p>(C) (Cont'd)</p> <p>submitted pursuant to an agreement with a secondary service provider prior to the routing of 1+ interLATA coin traffic to a provider other than the customer.</p> <p>5.1.2 <u>Provision of Other Services</u></p> <p>(A) Testing Service, Additional Labor, Restoration Priority and Special Facilities Routing shall be ordered with an Access Order or as set forth in (B) following. The rates and charges for these services, as set forth in other sections of this Price List, will apply in addition to the ordering charges set forth in this section and the rates and charges for the Access Service with which they are associated.</p> <p>(B) With the agreement of the Telephone Company, the items listed in (A) preceding may subsequently be added to the order at any time, up to and including the service date for the Access Service. When added subsequently, charges for a design change as set forth in 5.2.3(C) following will apply when an engineering review is required.</p> <p>(C) Additional Engineering is not an ordering option, but will be applied to an Access Order when the Telephone Company determines that Additional Engineering is necessary to accommodate a customer request. Additional Engineering will only be required as set forth in</p>	
---	--

**ACCESS SERVICE**

<p>5. <u>ORDERING OPTIONS FOR SWITCHED AND SPECIAL ACCESS SERVICE</u> (Cont'd)</p> <p>5.1 <u>General</u> (Cont'd)</p> <p>5.1.2 <u>Provision of Other Services</u> (Cont'd)</p> <p>(C) (Cont'd)</p> <p>Section 11.1 following. When it is required, the customer will be so notified and will be furnished with a written statement setting forth the justification for the Additional Engineering as well as an estimate of the charges. If the customer agrees to the Additional Engineering, a firm order will be established. If the customer does not want the service or facilities after being notified that Additional Engineering of Telephone Company facilities is required, the order will be withdrawn and no charges will apply. Once a firm order has been established, the total charge to the customer for the Additional Engineering may not exceed the estimated amount by more than 10%.</p> <p>The regulations, rates and charges for additional Engineering are as set forth in Section 11.1 following and are in addition to the regulations, rates and charges specified in this section.</p> <p>5.1.3 <u>Special Construction</u></p> <p>The regulations, rates and charges for special construction are set forth in Section 12 and are in addition to the regulations, rates and charges specified in this Price List.</p>	
--	--

**ACCESS SERVICE**

5. ORDERING OPTIONS FOR SWITCHED AND SPECIAL ACCESS SERVICE (Cont'd)

5.2 Access Order

An Access Order is used by the Telephone Company to provide a customer Access Service as follows:

- Switched Access Services as set forth in Section 6, following,
- Special Access Services as set forth in Section 7, following, and
- Other Services as set forth in 5.1.2 preceding.

When placing an order for Access Service, customers must complete a Telephone Company standard access order. All customers shall provide, at a minimum, the following information:

- For Feature Group A Switched Access Service, the customer shall specify the number of lines and the first point of switching (i.e., dial tone office), the Local Transport options and Local Switching options desired. In addition, the customer shall specify which lines are to be arranged in multiline hunt group arrangements and which lines are to be provided as single lines.
- When Feature Group A is ordered the customer shall specify whether or not the terminating traffic is to be restricted to the local exchange calling area as set forth in Section 6., following or extended beyond the local exchange calling area but within the LATA. When Feature Group A traffic is terminated beyond the local exchange calling area but remains within the LATA all rates for Switched Access, as set forth in Section 20 will apply.

**ACCESS SERVICE**

5. ORDERING OPTIONS FOR SWITCHED AND SPECIAL ACCESS SERVICE (Cont'd)

5.2 Access Order (Cont'd)

- For Feature Group B Switched Access Service, the customer shall specify the number of trunks and the end office when direct routing to the end office is desired or the access tandem switch when routing is desired via an access tandem switch and Local Transport options and Local Switching options desired. In addition, the customer shall also specify for terminating only access minutes, whether the trunks are to be arranged in trunk group arrangements or provided as single trunks.
  
- For Feature Group C and D Switched Access Service, the customer shall specify the number of busy hour minutes of capacity (BHMC) from the customer's premises to the end office by Feature Group and by type of BHMC. This information is used to determine the number of transmission paths as set forth in Section 6., following. The customer then specifies the Local Transport and Local Switching options.

The BHMC may be determined by the customer in the following manner. For each day (8 am to 11 pm, Monday through Friday, excluding national holidays), the customer shall determine the highest number of minutes of use for a single hour (e.g., 55 minutes in the 10-11 am hour). The customer shall, for the same hour period (i.e., busy hour) for each of twenty consecutive business days, pick the twenty consecutive business days in a calendar year, which add up to the largest number of minutes of use. Both originating and terminating minutes shall be included. The customer shall then determine the average busy hour minutes of capacity (i.e., BHMC) by dividing the largest number of minutes of use figure for the same hour period for the

**ACCESS SERVICE**

5. ORDERING OPTIONS FOR SWITCHED AND SPECIAL ACCESS SERVICE (Cont'd)

5.2 Access Order (Cont'd)

consecutive twenty business day period by 20. This computation shall be performed for each end office the customer wishes to serve. These determinations thus establish the forecasted BHMC for each end office.

BHMCs are differentiated by type and directionality of traffic carried over a Switched Access Service arrangement. Differentiation of traffic among BHMC types is necessary for the Telephone Company to properly design Switched Access Service to meet the traffic carrying capacity requirement of the customer.

There are two major BHMC categories identified as Originating and Terminating. Originating BHMCs represent access capacity within a LATA for carrying traffic from the end user to the customer; Terminating BHMCs represent access capacity within a LATA for carrying traffic from the customer to the end user. When ordering capacity for FGC Access or FGD Access, the customer must at a minimum specify such access capacity in terms of Originating BHMCs and/or Terminating BHMCs.

Because some customers will wish to further segregate their originating traffic into separate trunk groups, Originating BHMCs are further categorized into Domestic, 800, 900, Operator, and IDDD. Domestic BHMCs represent access capacity for carrying only domestic traffic other than 800, 900 and Operator traffic; IDDD BHMCs represent access capacity for carrying only international traffic; and, 800, 900 and Operator BHMCs represent access capacity for carrying, respectively, only 800, 900 or Operator traffic. When ordering such types of access capacity, the customer must specify Domestic, 800, 900, Operator or IDDD BHMCs.

**ACCESS SERVICE**

5. ORDERING OPTIONS FOR SWITCHED AND SPECIAL ACCESS SERVICE (Cont'd)

5.2 Access Order (Cont'd)

- For all Special Access Services, except WATS circuits, the customer must specify the customer designated premises or Hubs involved, the type of service, (e.g., Voice Grade, High Capacity, etc.) the channel interface, technical specification package and options desired. For multipoint services, the channel interface at each premise may, at the request of the customer, be different but all such interfaces shall be compatible.
- WATS circuits must be ordered for use with FGC or FGD Switched Access Service. The customer shall, in its order, specify the Common Switching Optional Features for use with WATS circuits, the customer's premises at which the WATS circuit terminates, the type of line (i.e., two-wire or four-wire), the type of calling (i.e., originating or terminating) and the type of Supervisory Signaling. When the necessary screening functions are not provided at the wire center, which serves the customer's originating or terminating premises, the Telephone Company will configure the WATS circuit to a wire center where the screening capability exists.
- Where the Special Access Service is exempt from the Special Access Surcharge, the customer shall furnish with the order the certification as set forth in Section 7.3.2 following.

5.2.1 Access Orders for Services Provided by More than One Telephone Company

The Telephone Company will provide Access Services under this Price List where more than one Telephone Company is



**ACCESS SERVICE**

5. ORDERING OPTIONS FOR SWITCHED AND SPECIAL ACCESS SERVICE (Cont'd)

5.2 Access Order (Cont'd)

5.2.1 Access Orders for Services Provided by More than One Telephone Company (Cont'd)

involved in the provision of Access Service as set forth in (A) following. The ordering procedure for this service is dependent upon the billing arrangement, as set forth in Section 2.4.7 preceding, to be used by the Telephone Companies involved in providing the Access Service. The Telephone Company will notify the customer which of the ordering procedures will apply.

(A) When a customer orders an Access Service that is provided by more than one Telephone Company, the following will apply:

- (1) For FGA and B Switched Access services, ordered to an end office or access tandem not converted to equal access, except certain Telephone Company designated end offices or access tandems specified in (2) following, the customer will place the order with the Telephone Company where the first point of switching is located. The first point of switching is the dial tone office for FGA, and the access tandem or end office for FGB. The Telephone Company will determine the first point of switching and inform the customer. The Telephone Company receiving the order will arrange for the provision of service and will bill the customer as set forth in Section 2.4.7(A)(1).

**ACCESS SERVICE**

5. ORDERING OPTIONS FOR SWITCHED AND SPECIAL ACCESS SERVICE (Cont'd)

5.2 Access Order (Cont'd)

5.2.1 Access Orders for Services Provided by More than One Telephone Company (Cont'd)

(A) (Cont'd)

(2) For FGC and D Switched Access services, Feature Group A and B Switched Access Services ordered to an equal access end office or access tandem, and, at the Telephone Company's option, certain Telephone Company designated end offices or access tandems not converted to equal access, and Special Access services, the customer will place the order with each Telephone Company that provides the service. All Telephone Company locations at which Switched and Special Access Services are provided in this manner are referenced in Section 14 of this Price List.

(a) Each Telephone Company will provide the appropriate access service elements within its operating territory to a physical point of interconnection with the other involved Telephone Company(s). The physical point of interconnection is the location where one Telephone Company's facilities connect with another Telephone Company's facilities.

**ACCESS SERVICE**

5. ORDERING OPTIONS FOR SWITCHED AND SPECIAL ACCESS SERVICE (Cont'd)

5.2 Access Order (Cont'd)

5.2.1 Access Orders for Services Provided by More than One Telephone Company (Cont'd)

(A) (Cont'd)

(2) (Cont'd)

(b) Each Telephone Company that receives an order will bill the customer for the appropriate access service elements provided by each respective Telephone Company as set forth in Sections 2.4.7(A)(2) and 2.4.7(A)(3).

5.2.2 Access Order Service Date Intervals

Access Service is provided with Service Date Intervals. The Telephone Company shall publish and make available to all customers a schedule of Service Date Intervals applicable for Switched and Special Access Services. The schedule shall specify the services and the quantities of services that can be provided in the Service Date Intervals. Service Date Interval schedules are provided during regular business days at Telephone Company offices at which the customer places an order for Access Service.

Access Services provided in a Service Date Interval will be installed during Telephone Company business days. If a customer requests that installation be done outside of scheduled work hours, and the Telephone Company agrees to this request, the customer will be subject to applicable Additional Labor Charges as set forth in Section 20 following.

**ACCESS SERVICE**

5. ORDERING OPTIONS FOR SWITCHED AND SPECIAL ACCESS SERVICE (Cont'd)

5.2 Access Order (Cont'd)

5.2.3 Access Order Modifications

The customer may request a modification of its Access Order prior to the service date. The Telephone Company will make every effort to accommodate a requested modification when it is able to do so with the normal work force assigned to complete such an order within normal business hours. If the modification cannot be made with the normal work force during normal business hours, the Telephone Company will notify the customer. If the customer still desires the Access Order modification, the Telephone Company will schedule a new service date. All charges for Access Order modifications will apply on a per occurrence basis.

Any increase in the number of Special Access Service circuits or Switched Access Service lines, trunks or busy hour minutes of capacity will be treated as a new Access Order (for the increased amount only).

If order modifications are necessary to satisfy the transmission performance for a Special Access Service ordered by a customer, these changes will be made without order modification charges being incurred by the customer.

(A) Service Date Change Charge

Access Order service dates may be changed, but the new service date may not exceed the original service date by more than 30 calendar days. If the customer requested service date is more than 30 calendar days after the original service date, the order will be cancelled by the

**ACCESS SERVICE**

5. ORDERING OPTIONS FOR SWITCHED AND SPECIAL ACCESS SERVICE (Cont'd)

5.2 Access Order (Cont'd)

5.2.3 Access Order Modifications (Cont'd)

(A) Service Date Change Charge (Cont'd)

Telephone Company and reissued with the appropriate cancellation charges applied. If the Telephone Company determines it can accommodate the customer's request without delaying service dates for orders of other customers, a new service date may be established that is prior to the original standard or negotiated interval service date.

If the service date is changed to an earlier date, and the Telephone Company determines additional labor or extraordinary costs are necessary to meet the earlier service date requested by the customer, the customer will be notified by the Telephone Company that Expedited Order Charges as set forth in (D) following apply. Such charges will apply in addition to the Service Date Change Charge.

A Service Date Change Charge will apply on a per order per occurrence basis, for each service date changed. The applicable charge is as set forth in Section 20.

**ACCESS SERVICE**

<p>5. <u>ORDERING OPTIONS FOR SWITCHED AND SPECIAL ACCESS SERVICE</u> (Cont'd)</p> <p>5.2 <u>Access Order</u> (Cont'd)</p> <p>5.2.3 <u>Access Order Modifications</u> (Cont'd)</p> <p>(B) <u>Partial Cancellation Charge</u></p> <p>Any decrease in the number of ordered Special Access Service circuits or Switched Access Service lines, trunks or busy hour minutes of capacity will be treated as a partial cancellation and the charges as set forth in Section 20 following will apply.</p> <p>(C) <u>Design Change Charge</u></p> <p>The customer may request a design change to the service ordered. A design change is any change to an Access Order, which requires engineering review. An engineering review is a review by Telephone Company personnel, of the service ordered and the requested changes to determine what changes in the design, if any, are necessary to meet the changes requested by the customer. Design changes include such things as the addition or deletion of optional features or functions or a change in the type of Transport Termination (Switched Access only), type of channel interface, type of Interface Group or technical specification package. Design changes do not include a change of customer premises, end user premises, end office switch, Feature Group type or Special Access Service circuit type. Changes of this nature will require the issuance of a new order and the cancellation of the original order with appropriate cancellation charges applied.</p>	
--	--

**ACCESS SERVICE**

5. ORDERING OPTIONS FOR SWITCHED AND SPECIAL ACCESS SERVICE (Cont'd)

5.2 Access Order (Cont'd)

5.2.3 Access Order Modifications (Cont'd)

(C) Design Change Charge (Cont'd)

The Telephone Company will review the requested change, notify the customer whether the change is a design change, if it can be accommodated and if a new service date is required. If the customer authorizes the Telephone Company to proceed with the design change, a Design Change Charge will apply. The Design Change Charge will apply on a per order, per occurrence basis, for each order requiring a design change. The applicable charge is as set forth in Section 20.

If a change of service date is required, the Service Date Change Charge as set forth in Section 20 following will also apply.

(D) Expedited Order Charge

When placing an Access Order, a customer may request a service date that is prior to the Telephone Company's published service date interval. A customer may also request an earlier service date on a pending Access Order. If the Telephone Company determines that service can be provided on the requested date and that

**ACCESS SERVICE**

5. ORDERING OPTIONS FOR SWITCHED AND SPECIAL ACCESS SERVICE (Cont'd)

5.2 Access Order (Cont'd)

5.2.3 Access Order Modifications (Cont'd)

(D) Expedited Order Charge (Cont'd)

additional labor cost or extraordinary costs are required to meet the requested service date, the customer will be notified and will be provided with an estimate of the additional charges involved. Such additional charges will be determined and billed to the customer as follows:

To calculate the additional labor charges, the Telephone Company will, upon authorization from the customer to incur the additional labor charges, keep track of the additional labor hours used to meet the request of the customer and will bill the customer at the applicable Additional Labor charges as set forth in Section 20 following.

To develop, determine and bill the customer the extraordinary costs, which may be involved, the special construction terms and conditions as set forth in ZiPLY Fiber of Idaho, LLC Tariff FCC No.1 will be used by the Telephone Company. Authorization to incur the costs and to bill the customer will be in accordance with the terms and conditions of ZiPLY Fiber of Idaho, LLC Tariff FCC No.1.

When the request for expediting occurs subsequent to the issuance of the Access Order, a Service Date Change Charge as set forth in Section 20 following also applies.



**ACCESS SERVICE**

5. ORDERING OPTIONS FOR SWITCHED AND SPECIAL ACCESS SERVICE (Cont'd)

5.2 Access Order (Cont'd)

5.2.4 Cancellation of an Access Order

(A) A customer may cancel an Access Order on any date after receipt of the order by the Telephone Company and prior to the installation of service. The cancellation date is the date the Telephone Company receives written or verbal notice from the customer that the order is to be cancelled. The verbal notice must be followed by written confirmation within 10 days. If a customer or a customer's end user is unable to accept Access Service within 30 calendar days after the original service date, the customer has the choice of the following options:

- The Access Order shall be cancelled and charges set forth in (B) following will apply, or
- Billing for the service will commence.

In such instances, the cancellation date or the billing date, depending on which option is selected by the customer, shall be the 31st day beyond the original service date of the Access Order.

(B) When a customer cancels an Access Order and the Telephone Company incurs any costs associated with the processing of the Access Order or installation prior to the cancellation date, Cancellation Charge will apply as set forth in Section 20.

**ACCESS SERVICE**

<p>5. <u>ORDERING OPTIONS FOR SWITCHED AND SPECIAL ACCESS SERVICE</u> (Cont'd)</p> <p>5.2 <u>Access Order</u> (Cont'd)</p> <p>5.2.4 <u>Cancellation of an Access Order</u> (Cont'd)</p> <p>(B) (Cont'd)</p> <p>(1) Installation and Order costs of Switched or Special Access Service facilities are considered to have started when the Telephone Company incurs any cost in connection therewith or in preparation thereof which would not otherwise have been incurred.</p> <p>(2) Where installation of access facilities and/or order processing has been started prior to the cancellation, the charges specified in (a) or (b) following, <u>whichever is lower</u>, shall apply.</p> <p>(a) A charge equal to the costs incurred in such installation, less estimated net salvage, determined as detailed in (3) following, and/or a charge equal to the costs incurred in such order processing.</p> <p>(b) The charge for the minimum period of Switched or Special Access Service ordered by the customer.</p> <p>(3) Charges applicable as specified in (2)(a) preceding include the non-recoverable cost of equipment and material ordered, provided or used, plus the non-recoverable cost of installation and removal</p>
--

**ACCESS SERVICE**

<p>5. <u>ORDERING OPTIONS FOR SWITCHED AND SPECIAL ACCESS SERVICE</u> (Cont'd)</p> <p>5.2 <u>Access Order</u> (Cont'd)</p> <p>5.2.4 <u>Cancellation of an Access Order</u> (Cont'd)</p> <p>(B) (Cont'd)</p> <p>(3) (Cont'd)</p> <p>including the costs of engineering, labor, supervision, transportation, rights-of-way and other associated costs.</p> <p>(C) When a customer cancels an order for the discontinuance of service, no charges apply for the cancellation.</p> <p>(D) If the Telephone Company misses a service date by more than 30 days due to circumstances over which it has direct control (excluding, e.g., Acts of God, governmental requirements, work stoppages and civil commotions), the customer may cancel the Access Order without incurring cancellation charges.</p> <p>5.2.5 <u>Selection of Facilities For Access Orders</u></p> <p>(A) When there are analog or digital high capacity facilities to a Hub on order or in service for the customer's use, the customer may request a specific channel or transmission path be used to provide the Switched or Special Access service requested in an Access Order. The Telephone Company will make a reasonable effort to accommodate the customer request.</p>	
---	--

**ACCESS SERVICE**

<p>5. <u>ORDERING OPTIONS FOR SWITCHED AND SPECIAL ACCESS SERVICE</u> (Cont'd)</p> <p>5.2 <u>Access Order</u> (Cont'd)</p> <p>5.2.5 <u>Selection of Facilities For Access Orders</u> (Cont'd)</p> <p>(B) For all other Access Orders, the option to request a specific transmission path or channel is not provided except as provided for under Special Facilities Routing as set forth in Section 9.</p> <p>5.2.6 <u>Minimum Period Charges</u></p> <p>When Access Service is disconnected prior to the expiration of the minimum period, charges are applicable for the balance of the minimum period. A disconnect constitutes facilities being returned to available inventory.</p> <p>The Minimum Period Charge for monthly billed services will be determined as follows:</p> <p>(A) For Special Access Service, the charge for a month or fraction thereof is the applicable monthly rates for the service as set forth in Section 20.</p> <p>The Minimum Period Charge for part-time Television and Program Audio Services is the applicable daily rate for the service as set forth in Section 20.</p> <p>5.2.7 <u>Shared Use Facilities</u></p> <p>Shared Use (i.e., Switched and Special Access Services provided over the same analog or digital high capacity facilities) is allowed. Shared use facilities to a Hub will be</p>	
--	--

**ACCESS SERVICE**

<p>5. <u>ORDERING OPTIONS FOR SWITCHED AND SPECIAL ACCESS SERVICE</u> (Cont'd)</p> <p>5.2 <u>Access Order</u> (Cont'd)</p> <p>5.2.7 <u>Shared Use Facilities</u> (Cont'd)</p> <p>ordered and provided as Special Access Service. While shared use is allowed, individual services utilizing these facilities must be ordered either as Switched Access Service or Special Access Service. When placing the order for the individual service(s), the customer must specify a channel assignment for each service ordered.</p>	
--	--

---

**ACCESS SERVICE**

6. SWITCHED ACCESS SERVICE

6.1 General

The Telephone Company adopts Section 7 and the associated rates in Section 21 ZiPLY FCC Tariff No. 1 (the Telephone Company's interstate access tariff) effective as of July 3, 2012, and any successive issues thereto. This tariff was filed with the FCC on behalf of the Telephone Company and affiliated companies.

This tariff includes all the rules, regulations, rates and charges under which interstate access services will be offered. Exceptions to this adoption of the tariff schedules, if any, are as follows and in Section 20 of this tariff.

6.2 Language Exceptions:

(None)

**ACCESS SERVICE**

7. SPECIAL ACCESS SERVICE

7.1 General

Special Access Service provides a transmission path to connect customer designated premises<sup>2</sup>, either directly or through a Telephone Company Hub where bridging or multiplexing functions are performed. Special Access Service includes all exchange access not utilizing Telephone Company end office switches.

The connections provided by Special Access Service can be either analog or digital. Analog connections are differentiated by spectrum and bandwidth. Digital connections are differentiated by bit rate.

Certain Special Access Services listed in this section of the Price List may not be currently offered in all Telephone Company locations but may be provided upon customer request, on an individual case basis, if facilities can be made available with reasonable effort. The Telephone Company will work cooperatively with the Customer to provide the service on a timely basis.

7.1.1 Circuit Types

There are nine types of circuits used to provide Special Access Services. Each type has its own characteristics. All are subdivided by one or more of the following:

- Transmission specifications,
- Bandwidth,
- Speed (i.e., bit rate),
- Spectrum

Customers can order a basic circuit and select from a list of available transmission parameters and channel interfaces those that they desire to meet specific communications requirements.

---

<sup>2</sup> Telephone Company Centrex CO-like switches are considered to be customer premises for purposes of this Price List.

**ACCESS SERVICE**

7. SPECIAL ACCESS SERVICE (Cont'd)

7.1 General (Cont'd)

7.1.1 Circuit Types (Cont'd)

For purposes of ordering circuits, each has been identified as a type of Special Access Service. However, such identification is not intended to limit a customer's use of the circuit nor to imply that the circuit is limited to a particular use. For example, if a customer's equipment is capable of transmitting voice over a circuit that is identified as a Metallic Service in this Price List, there is no restriction against doing so.

Following is a brief description of each type of channel:

- Metallic - a circuit for the transmission of low speed varying signals at rates up to 30 baud.
- Telegraph Grade - a circuit for the transmission of binary signals at rates of 0 to 75 baud or 0 to 150 baud.
- Voice Grade - a circuit for the transmission of analog signals within an approximate bandwidth of 300 to 3000 Hz.
- Program Audio - a circuit for the transmission of audio signals. The nominal frequency bandwidths are from 50 to 15000 Hz, from 200 to 3500 Hz, from 100 to 5000 Hz or from 50 to 8000 Hz.
- Video - a circuit for the transmission of standard 525 line 60 field monochrome or National Television Systems Committee color video signal and one or two associated 5 or 15 kHz audio signals. The bandwidth is either 30 Hz to 4.5 MHz or 30 Hz to 6.6 MHz.



**ACCESS SERVICE**

<p>7. <u>SPECIAL ACCESS SERVICE</u> (Cont'd)</p> <p>7.1 <u>General</u> (Cont'd)</p> <p>7.1.1 <u>Circuit Types</u> (Cont'd)</p> <ul style="list-style-type: none"><li>- Wideband Analog - a circuit for the transmission of wideband signals. The bandwidths are from 60 to 108 kHz (Group), from 312 to 552 kHz (Supergroup), from 564 to 3084 kHz (Mastergroup), from 300 Hz to 18 kHz, from 29 to 44 kHz or from 28 to 44 kHz.</li><li>- Wideband Data - an analog circuit for the transmission of synchronous serial data at rates of 19.2, 50.0 or 230.4 kbps or asynchronous serial data at rates of up to 19.2, 50.0 or 230.4 kbps. Optional arrangements are available for transmission of synchronous serial data rates at 18.75 or 40.8 kbps.</li><li>- Digital Data - a circuit for the digital transmission of synchronous serial data at rates of 2.4, 4.8, 9.6 or 56 kbps.</li><li>- High Capacity - a circuit for the transmission of isochronous serial digital data at rates of 1.544, 3.152, 6.312, 44.736 or 274.176 Mbps.</li></ul> <p>Detailed descriptions of each of the circuit types are provided in 7.2 following.</p> <p>The customer also has the option of ordering Voice Grade and analog and digital high capacity facilities (i.e., Group, Supergroup, Mastergroup, 1.544 Mbps, 3.152 Mbps, 6.312</p>	
--	--

**ACCESS SERVICE**

<p>7. <u>SPECIAL ACCESS SERVICE</u> (Cont'd)</p> <p>7.1 <u>General</u> (Cont'd)</p> <p>7.1.1 <u>Circuit Types</u> (Cont'd)</p> <p>Mbps, 44.736 Mbps and 274.176 Mbps) to a Telephone Company hub for multiplexing to individual circuits of a lower capacity or bandwidth. Descriptions of the types of multiplexing available at the hubs, as well as the number of individual circuits which may be derived from each type of facility are set forth in 7.2 following. Additionally, the customer may specify optional features for the individual circuits derived from the facility to further tailor the circuit to meet specific communications requirements. Descriptions of the optional features and functions available are also set forth in 7.2 following.</p> <p>For example, a customer may order a 3.152 Mbps facility from a customer designated premises to a Telephone Company hub for multiplexing to two 1.544 Mbps circuits. The 1.544 Mbps circuits may be further multiplexed at the same or a different hub to Voice Grade or Wideband Analog (i.e., Group level) circuits or may be extended to other customer designated premises. Optional features may be added to either the 1.544 Mbps or the Voice Grade circuits.</p> <p>7.1.2 <u>Rate Categories</u></p> <p>There are three basic rate categories that apply to Special Access Service:</p> <ul style="list-style-type: none"><li>- Circuit Terminations as described in 7.1.2(A) following.</li><li>- Circuit Mileage as described in 7.1.2 (B) following.</li><li>- Optional Features and Functions as described in 7.1.2(C) following.</li></ul>	
--	--

**ACCESS SERVICE**

7. SPECIAL ACCESS SERVICE (Cont'd)

7.1 General (Cont'd)

7.1.2 Rate Categories (Cont'd)

(A) Circuit Termination

The Circuit Termination rate category provides for the communications path between a customer designated premises and the serving wire center of that premises. Included as part of the Circuit Termination is a standard channel interface arrangement which defines the technical characteristics associated with the type of facilities to which the access service is to be connected at the Point of Termination (POT) and the type of signaling capability, if any. The signaling capability itself is provided as an optional feature as set forth in (C) following. One Circuit Termination charge applies per customer designated premises at which the circuit is terminated. The charge will apply even if the customer designated premises and the serving wire center are co-located in a Telephone Company building.

For the avoidance of any doubt when a customer orders Special Access Service to a Telephone Company Switch, that switch is a Customer Designated Premise (CDP) where the Special Access terminates.

(B) Circuit Mileage

The Circuit Mileage rate category provides for the transmission facilities between the serving wire centers associated with two customer designated premises, between a serving wire center associated with a customer designated premises and a Telephone Company hub or between two Telephone Company hubs. The Circuit Mileage charge is composed of a flat monthly charge plus a rate per mile.

**ACCESS SERVICE**

7. SPECIAL ACCESS SERVICE (Cont'd)

7.1 General (Cont'd)

7.1.2 Rate Categories (Cont'd)

(C) Optional Features and Functions

Optional Features and Functions rate category provides for optional features and functions which may be added to a basic circuit to improve its quality or utility to meet specific communications requirements. These are not necessarily identifiable with specific equipment, but rather represent the end result in terms of performance characteristics which may be obtained. These characteristics may be obtained by using various combinations of equipment. Although the equipment necessary to perform a specified function may be installed at various locations along the path of the service, they will be charged for as a single rate element.

Examples of Optional Features and Functions that are available include, but are not limited to, the following:

- Signaling Capability
- Hubbing Functions
- Conditioning
- Transfer Arrangements

A hub is a Telephone Company designated serving wire center at which bridging or multiplexing functions are performed. The bridging functions performed are to connect three or more customer designated premises in a multipoint arrangement. The multiplexing functions are

**ACCESS SERVICE**

<p>7. <u>SPECIAL ACCESS SERVICE</u> (Cont'd)</p> <p>7.1 <u>General</u> (Cont'd)</p> <p>7.1.2 <u>Rate Categories</u> (Cont'd)</p> <p>(C) <u>Optional Features and Functions</u> (Cont'd)</p> <p>to channelize analog or digital facilities to individual services requiring a lower capacity or bandwidth. Section 14 of this Price List identifies serving wire centers, hub locations and the type of bridging or multiplexing functions available.</p> <p>Descriptions for each of the available Optional Features and Functions are set forth in 7.2 following.</p> <p>7.1.3 <u>Service Configurations</u></p> <p>There are two types of service configurations over which Special Access Services are provided: two-point service and multipoint service.</p> <p>(A) <u>Two-Point Service</u></p> <p>A two-point service connects two customer designated premises, either on a directly connected basis or through a hub where multiplexing functions are performed.</p> <p>Applicable rate elements are:</p> <ul style="list-style-type: none"><li>- Circuit Termination</li><li>- Circuit Mileage</li><li>- Optional Features and Functions (when applicable)</li></ul>	
--	--



**ACCESS SERVICE**

7. SPECIAL ACCESS SERVICE (Cont'd)

7.1 General (Cont'd)

7.1.3 Service Configurations (Cont'd)

(B) Multipoint Service

Multipoint Service connects three or more customer premises through a Telephone Company Hub. Only certain types of Special Access Service are provided as multipoint service. These are so designated in the Service Descriptions set forth in 7.2 following.

The circuit between hubs (i.e., bridging locations) on a multipoint service is a mid-link. There is no limitation on the number of mid-links available with a multipoint service. However, when more than three mid-links in tandem are provided, the quality of the overall service may be degraded.

Multipoint service utilizing a customized technical specifications package, as set forth in 7.2 following, will be provided when technically possible. If the Telephone Company determines that the requested characteristics for multipoint service are not compatible, the customer will be advised and given the opportunity to change the order. When ordering, the customer will specify the desired bridging hub(s). Section 14 of this Price List identifies serving wire centers, hub locations and the type of bridging functions available.

Applicable Rate Elements are:

- Circuit Termination (one per customer designated premises)
- Circuit Mileage (as applicable between each designated customer premises and the hub and between hubs)
- Bridging
- Optional Features (when applicable)

**ACCESS SERVICE**

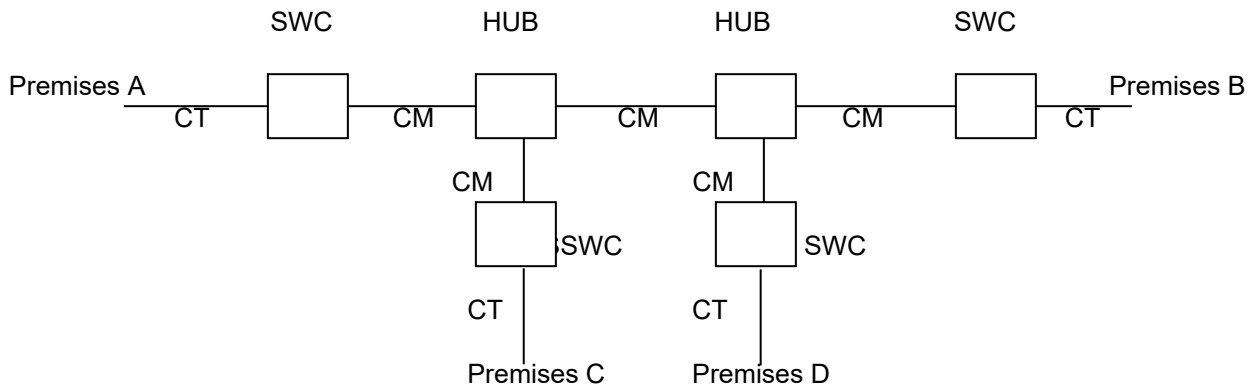
7. SPECIAL ACCESS SERVICE (Cont'd)

7.1 General (Cont'd)

7.1.3 Service Configurations (Cont'd)

(B) Multipoint Service (Cont'd)

Example: Voice Grade multipoint service connecting four customer premises via two customer specified bridging hubs.



CT - Circuit Termination

CM - Circuit Mileage

B - Bridging

SWC- Serving Wire Center

Applicable rate elements are:

- Circuit Termination (4 applicable)
- Circuit Mileage (5 sections, each from appropriate mileage band)
- Bridging Optional Feature (6 applicable, i.e., each bridge port)



**ACCESS SERVICE**

7. SPECIAL ACCESS SERVICE (Cont'd)

7.1 General (Cont'd)

7.1.3 Service Configurations (Cont'd)

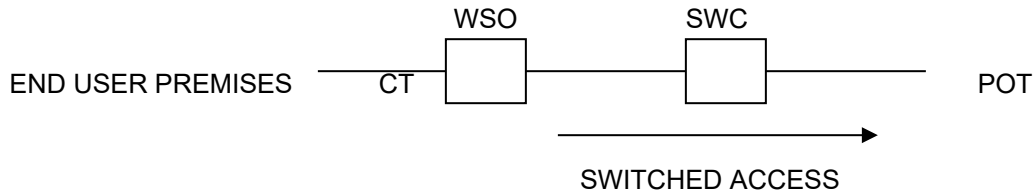
(C) WATS Circuit Service

A WATS Circuit Voice Grade Service provides a connection between an end user premises (which for purpose of this Price List includes Centrex CO switches) and a Telephone Company switching office capable of performing the necessary screening functions for WATS or 800 Service.

Applicable Rate Elements are:

- Circuit Termination
- Circuit Mileage

The following diagram depicts a WATS Circuit Voice Grade Service connecting an end user premises and a WATS serving office.



CT - Circuit Termination  
 WSO-WATS Serving Office  
 SWC-Serving Wire Center  
 POT -Point of Termination

Applicable rate elements are:

- Circuit Termination
- FGC or FGD Switched Access Charges

**ACCESS SERVICE**

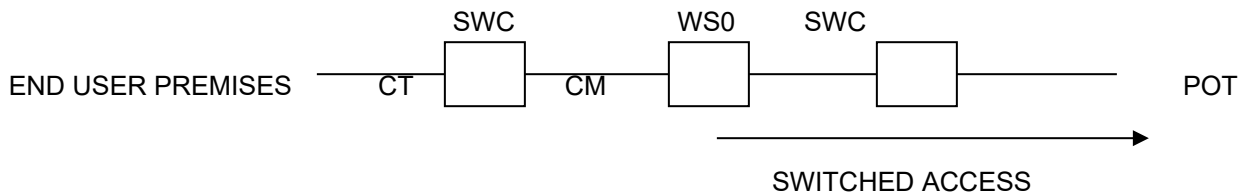
7. SPECIAL ACCESS SERVICE (Cont'd)

7.1 General (Cont'd)

7.1.3 Service Configurations (Cont'd)

(C) WATS Circuit Service (Cont'd)

The following diagram depicts a WATS Circuit Voice Grade Service where an end user premises is not a WATS serving office.



- CT - Circuit Termination
- CM - Circuit Mileage
- EO - End Office
- WSO - WATS Service Office
- SWC - Serving Wire Center
- POT - Point of Termination

Applicable rate elements are:

- Circuit Termination
- Circuit Mileage
- FGC or FGD Switched Access Charges

**ACCESS SERVICE**

<p>7. <u>SPECIAL ACCESS SERVICE</u> (Cont'd)</p> <p>7.1 <u>General</u> (Cont'd)</p> <p>7.1.4 <u>Alternate Use</u></p> <p>Alternate Use occurs when a service is arranged by the Telephone Company so that the customer can select different types of transmission at different times. A customer may use a service in any privately beneficial manner. However, where technical or engineering changes are required to effectuate an alternate use, the Telephone Company will make such special arrangements available on an individual case basis.</p> <p>The arrangement required to transfer the service from one operation to the other (i.e., the transfer relay and control leads) will be rated and provided on an individual case basis and filed in Section 10, Specialized Service or Arrangements. The customer will pay the stated Price List rates for the Access Service rate elements for the service ordered (i.e., Circuit Terminations, Circuit Mileage [as applicable] and Optional Features and Functions [if any]).</p> <p>7.1.5 <u>Special Facilities Routing</u></p> <p>A customer may request that the facilities used to provide Special Access Service be specially routed. The regulations, rates and charges for Special Facilities Routing (i.e., Avoidance, Diversity and Cable-Only) are set forth in Section 9 following.</p>	
--	--

**ACCESS SERVICE**

<p>7. <u>SPECIAL ACCESS SERVICE</u> (Cont'd)</p> <p>7.1 <u>General</u> (Cont'd)</p> <p>7.1.6 <u>Design Layout Report</u></p> <p>At the request of the customer, the Telephone Company will provide to the customer the make-up of the facilities and services provided under this Price List as Special Access Service to aid the customer in designing its overall service. This information will be provided in the form of a Design Layout Report. The Design Layout Report will be provided to the customer at no charge, and will be reissued or updated whenever these facilities are materially changed.</p> <p>7.1.7 <u>Acceptance Testing</u></p> <p>At no additional charge, the Telephone Company will, at the customer's request, cooperatively test, at the time of installation, the following parameters:</p> <p>(A) For Voice Grade analog services, acceptance test will include tests for loss, 3-tone slope, DC continuity, operational signaling, C-notched noise, and C-message noise when these parameters are applicable and specified in the order for service. Additionally, for Voice Grade services, a balance (improved loss) test will be made if the customer has ordered the improved loss optional feature.</p>	
---	--

**ACCESS SERVICE**

<p>7. <u>SPECIAL ACCESS SERVICE</u> (Cont'd)</p> <p>7.1 <u>General</u> (Cont'd)</p> <p>7.1.7 <u>Acceptance Testing</u> (Cont'd)</p> <p>(B) For other services (i.e., Metallic, Telegraph, Program Audio, Video, Wideband Analog and Wideband Data) and for digital services (i.e., Digital Data and High Capacity) acceptance tests will include tests for the parameters applicable to the service as specified by the customer in the order for service.</p> <p>In addition to the above tests, Additional Cooperative Acceptance Testing for Voice Grade Service to test other parameters, as described in Section 11.3.4(A) following, is available at the customer's request. All test results will be made available to the customer upon request.</p> <p>7.1.8 <u>Ordering Options and Conditions</u></p> <p>Special Access Service is ordered under the Access Order provision set forth in Section 5 preceding. Also included in that section are other charges which may be associated with ordering Special Access Service (e.g., Service Date Change Charge, Cancellation Charges, etc.).</p>	
---	--

**ACCESS SERVICE**

7. SPECIAL ACCESS SERVICE (Cont'd)

7.2 Service Descriptions

For the purposes of ordering, the Special Access Service categories are as follows:

- Metallic (MT)
- Telegraph Grade (TG)
- Voice Grade (VG)
- Program Audio (AP)
- Video (TV)
- Wideband Analog (WA)
- Wideband Data (WD)
- Digital Data (DA)
- High Capacity (HC)

Each service consists of a basic circuit to which a technical specifications package (customized or predefined), channel interface(s) and, when desired, optional features and functions are added to construct the service desired by the customer. Each of the components of the service are described in this section.

Customized technical specifications packages will be provided where technically feasible. If the Telephone Company determines that the requested parameter specifications are not compatible, the customer will be advised and given the opportunity to change the order.

When a customized circuit is ordered the customer will be notified whether Additional Engineering Charges apply. In such cases, the customer will be given an estimate of the hours to be billed before any further action is taken on the order.

**ACCESS SERVICE**

7. SPECIAL ACCESS SERVICE (Cont'd)

7.2 Service Descriptions (Cont'd)

The circuit description specifies the characteristics of the basic circuit and indicates whether the circuit is provided between customer designated premises or between a customer designated premises and a Telephone Company hub where bridging or multiplexing functions are performed.

Information pertaining to the technical specifications packages indicates the transmission parameters that are available with each package. This information is displayed in a matrix with the transmission parameters listed down the left side and the packages listed across the top. Each package is identified by a code, e.g., VGC. The first two letters of the code indicate the category of Special Access Service to which the parameters are applicable. These two letter codes are shown above in parentheses following the category of Special Access Service. The letter "C" following the two letter code indicates the technical specifications package for a customized service. A numeric or alpha-numeric designation following the two letter code indicates the specific predefined package. For a customized service, the customer may select any parameters available with that category of service as long as the parameters are compatible. When appropriate, the Technical Reference, which contains detailed specifications for the parameters is shown following the matrix.

Channel interfaces at each Point of Termination on a two-point service may be symmetrical or asymmetrical. On a multipoint service they may also be symmetrical or asymmetrical, but communications can only be provided between compatible channel interfaces. Only certain channel interfaces are compatible. These are set forth in 7.5.5 following, in a combination format.

**ACCESS SERVICE**

7. SPECIAL ACCESS SERVICE (Cont'd)

7.2 Service Descriptions (Cont'd)

Only certain channel interface combinations are available with the predefined technical specifications packages. These are delineated in the Technical References set forth at the end of this section. When a customized circuit is requested, all channel interface combinations available with the specified type of service are available with the customized circuit.

The optional features and functions available with each type of basic circuit are described in this section. The optional features and functions information also indicates with which technical specifications packages they are available. Such information is displayed in a matrix with the optional feature or function listed down the left side and the technical specifications package listed across the top.

The Telephone Company will maintain existing transmission specifications on services installed prior to the effective date of this Price List, except that existing services with performance specifications exceeding the standards listed in this provision will be maintained at the performance levels specified in this Price List.

All services installed after the effective date of this Price List will conform to the transmission specification standards contained in this Price List or in the following Technical References for each category of service:

Metallic	PUB	62502
Telegraph Grade	PUB	62502
Voice Grade	PUB	62501 and associated Addendum
	PUB	41004, Table 4



**ACCESS SERVICE**

7. SPECIAL ACCESS SERVICE (Cont'd)

7.2 Service Descriptions (Cont'd)

Program Audio	PUB	62503 and associated Addendum
Video	PUB	62504 and associated Addendum
Wideband Analog	PUB	62505 and associated Addendum
Wideband Data	PUB	62506
Digital Data	PUB	62507
	PUB	62310
High Capacity	PUB	64508
	PUB	62411

7.2.1 Metallic Service

(A) Basic Circuit Description

A Metallic circuit is an unconditioned two-wire circuit capable of transmitting low speed varying signals at rates up to 30 baud. Metallic circuits are provided between customer designated premises or between a customer designated premises and a Telephone Company hub where bridging functions are performed. Interoffice metallic facilities will be limited in length to a total of five miles per circuit.

**ACCESS SERVICE**

7. <u>SPECIAL ACCESS SERVICE</u> (Cont'd)				
7.2 <u>Service Descriptions</u> (Cont'd)				
7.2.1 <u>Metallic Service</u> (Cont'd)				
(B) <u>Technical Specifications Packages</u>				
		<u>Package MT-</u>		
<u>Parameter</u>	<u>C</u>	<u>1</u>	<u>2</u>	<u>3</u>
DC Resistance				
Between Conductors	X	X	X	
Loop Resistance	X			X
Shunt Capacitance	X			X
The technical specifications are delineated in Technical Reference PUB 62502.				
(C) <u>Channel Interfaces</u>				
Compatible channel interfaces are set forth in 7.5.5(A) following.				
(D) <u>Optional Features and Functions</u>				
(1) <u>Central Office Bridging Capability</u>				
(a) Three Premises Bridging - Provision of tip-to-tip and ring-to-ring connection in a central office of a metallic pair to a third customer premises.				

**ACCESS SERVICE**

<p>7. <u>SPECIAL ACCESS SERVICE</u> (Cont'd)</p> <p>7.2 <u>Service Descriptions</u> (Cont'd)</p> <p>7.2.1 <u>Metallic Service</u> (Cont'd)</p> <p>(D) <u>Optional Features and Functions</u> (Cont'd)</p> <p>(1) <u>Central Office Bridging Capability</u> (Cont'd)</p> <p>(b) Series Bridging of up to 26 customer premises.</p> <p>The following table shows the technical specifications packages with which the optional features and functions are available.</p> <table style="margin-left: auto; margin-right: auto;"> <thead> <tr> <th></th> <th colspan="4" style="text-align: center;"><u>Available with Technical Specifications Package MT-</u></th> </tr> <tr> <th></th> <th style="text-align: center;"><u>C</u></th> <th style="text-align: center;"><u>1</u></th> <th style="text-align: center;"><u>2</u></th> <th style="text-align: center;"><u>3</u></th> </tr> </thead> <tbody> <tr> <td style="text-align: center;">Three Premises Bridging</td> <td style="text-align: center;">X</td> <td style="text-align: center;">X</td> <td></td> <td style="text-align: center;">X</td> </tr> <tr> <td style="text-align: center;">Series Bridging</td> <td style="text-align: center;">X</td> <td></td> <td style="text-align: center;">X</td> <td></td> </tr> </tbody> </table> <p>7.2.2 <u>Telegraph Grade Service</u></p> <p>(A) <u>Basic Circuit Description</u></p> <p>A Telegraph Grade circuit is an unconditioned circuit capable of transmitting binary signals at rates of 0-75 baud or 0-150 baud. This circuit is furnished for half-duplex or duplex operation. Telegraph Grade circuits are provided between customer designated premises or between a customer designated premises and a Telephone Company hub.</p>		<u>Available with Technical Specifications Package MT-</u>					<u>C</u>	<u>1</u>	<u>2</u>	<u>3</u>	Three Premises Bridging	X	X		X	Series Bridging	X		X		
	<u>Available with Technical Specifications Package MT-</u>																				
	<u>C</u>	<u>1</u>	<u>2</u>	<u>3</u>																	
Three Premises Bridging	X	X		X																	
Series Bridging	X		X																		

**ACCESS SERVICE**

7. <u>SPECIAL ACCESS SERVICE</u> (Cont'd)			
7.2. <u>Service Descriptions</u> (Cont'd)			
7.2.2 <u>Telegraph Grade Service</u> (Cont'd)			
(B) <u>Technical Specifications Packages</u>			
		<u>Package TG-</u>	
<u>Parameter</u>	<u>C</u>	<u>1</u>	<u>2</u>
Telegraph Distortion	X	X	X
The technical specifications are delineated in Technical Reference PUB 62502.			
(C) <u>Channel Interfaces</u>			
Compatible channel interfaces are set forth in 7.5.5(B) following.			
(D) <u>Optional Features and Functions</u>			
(1) Telegraph Bridging (two-wire and four-wire)			
The following table shows the technical specifications packages with which the optional features and functions are available.			
		<u>Available with Technical Specifications Package TG-</u>	
	<u>C</u>	<u>1</u>	<u>2</u>
Telegraph Bridging	X	X	X

**ACCESS SERVICE**

<p>7. <u>SPECIAL ACCESS SERVICE</u> (Cont'd)</p> <p>7.2. <u>Service Descriptions</u> (Cont'd)</p> <p>7.2.3 <u>Voice Grade Service</u></p> <p>(A) <u>Basic Circuit Description</u></p> <p>A Voice Grade Circuit is a circuit, which provides voice frequency transmission capability in the nominal frequency range of 300 to 3000 Hz and may be terminated two-wire or four-wire. Voice Grade circuits are provided between customer designated premises or between a customer designated premises and a Telephone Company hub.</p> <p>(B) <u>WATS Circuit</u></p> <p>A WATS Circuit Voice Grade Service provides a connection between a customer's end user premises and a Telephone Company end office switch capable of performing the necessary screening functions for WATS or 800 service. A WATS Circuit is provided only for use with FGC or FGD Switched Access Service.</p> <p>When a WATS Circuit is provided, the rate elements, which apply are Circuit Termination and, when the end office is not a WATS serving office, Circuit Mileage to extend the WATS circuit to a WATS serving office. The nonrecurring charge for Circuit Termination apply for each WATS Circuit installed.</p>	
---	--

**ACCESS SERVICE**

<p>7. <u>SPECIAL ACCESS SERVICE</u> (Cont'd)</p> <p>7.2. <u>Service Descriptions</u> (Cont'd)</p> <p>7.2.3 <u>Voice Grade Service</u> (Cont'd)</p> <p>(B) <u>WATS Circuit</u> (Cont'd)</p> <p>WATS Circuits are arranged for either originating calling only or terminating calling only. They are provided with rotary dial or dual tone multifrequency address signaling and either loop start or ground start supervisory signaling. The choice of the type of signaling is at the option of the customer.</p> <p>WATS Circuits are provided as either an effective two-wire or effective four-wire transmission path and are differentiated by line side vs. trunk side terminations. Each transmission path is provided with the transmission parameters as set forth under Package VG-WC in 7.2.3(C) following.</p> <p>WATS Circuits are available with extensions, i.e., terminations of the service at different buildings in the same or different LATA. All applicable Special Access rates shall apply to such extensions.</p>	
---	--

**ACCESS SERVICE**

7. <u>SPECIAL ACCESS SERVICE</u> (Cont'd)													
7.2 <u>Service Descriptions</u> (Cont'd)													
7.2.3 <u>Voice Grade Service</u> (Cont'd)													
(C) <u>Technical Specifications Packages</u>													
	<u>Package VG-</u>												
Parameter	<u>C</u> <sup>3</sup>	<u>1</u>	<u>2</u>	<u>3</u>	<u>4</u>	<u>5</u>	<u>6</u>	<u>7</u>	<u>8</u>	<u>9</u>	<u>10</u>	<u>11</u>	<u>12</u>
Attenuation													
Distortion	X	X	X	X	X	X	X	X	X	X	X	X	X
C-Message Noise	X	X	X	X	X	X	X	X	X	X	X	X	X
Echo Control	X	X	X	X		X		X	X			X	X
Envelope Delay													
Distortion	X						X	X	X	X	X	X	X
Frequency Shift	X						X	X	X	X	X	X	X
Impulse Noise	X					X	X	X	X	X	X	X	X
Intermodulation													
Distortion	X						X	X	X	X	X	X	
Loss Deviation	X	X	X	X	X	X	X	X	X	X	X	X	X
Phase Hits, Gain, Hits, and Dropouts													
Phase Jitter	X						X	X	X	X	X	X	X
Signal-to-C													
Message Noise					X								
Signal-to-C													
Notch Noise	X					X	X	X	X	X	X	X	X
<p>The technical specifications for these parameters (except for dropouts, gain hits, and phase hits) are delineated in Technical Reference PUB 62501 and associated Addendum. The technical specifications for dropouts, phase hits, and gain hits are delineated in Technical Reference PUB 41004, Table 4.</p>													

<sup>3</sup> The desired parameters are selected by the customer from the list of available parameters.

**ACCESS SERVICE**

<p>7. <u>SPECIAL ACCESS SERVICE</u> (Cont'd)</p> <p>7.2 <u>Service Descriptions</u> (Cont'd)</p> <p>7.2.3 <u>Voice Grade Service</u> (Cont'd)</p> <p>(D) <u>Channel Interfaces</u></p> <p>The following channel interfaces for Voice Grade service do not require signaling capability: AH, DA, DB, DD, DE, DS, NO, PR and TF.</p> <p>The following channel interfaces for Voice Grade service require signaling capability: AB, AC, CT, DX, DY, EA, EB, EC, EX, GO, GS, LA, LB, LC, LO, LR, LS, RV, and SF.</p> <p>Compatible channel interfaces are set forth in 7.5.5(C) following.</p> <p>(E) <u>Optional Features and Functions</u></p> <p>(1) <u>Central Office Bridging Capability</u></p> <p>(a) Voice Bridging (two-wire or four-wire)</p> <p>(b) Data Bridging (two-wire or four-wire)</p> <p>(c) Telephoto Bridging (two-wire and four-wire)</p> <p>(d) Dataphone Select-A-Station Bridging with sequential arrangement ports or addressable arrangement ports</p>	
---	--



**ACCESS SERVICE**

7.	<u>SPECIAL ACCESS SERVICE</u> (Cont'd)
7.2	<u>Service Descriptions</u> (Cont'd)
7.2.3	<u>Voice Grade Service</u> (Cont'd)
	(E) <u>Optional Features and Functions</u> (Cont'd)
	(1) <u>Central Office Bridging Capability</u> (Cont'd)
	(e) Telemetry and Alarm Bridging Split Band, Active Bridging, Passive Bridging Summation, Active Bridging
	(2) <u>Central Office Multiplexing</u>
	Voice to Telegraph Grade: An arrangement that converts a Voice Grade circuit to Telegraph Grade circuits using frequency division multiplexing.
	(3) <u>Conditioning</u>
	Conditioning provides more specific transmission characteristics for Voice Grade services. C-Type conditioning controls attenuation distortion and envelope delay distortion. Sealing Current helps maintain continuity on dry metallic loops.
	For two-point services, the parameters apply to each service. For multipoint services the parameters apply to each mid link or end link. C-Type Conditioning and Data Capability may be combined on the same service.

**ACCESS SERVICE**

7.	<u>SPECIAL ACCESS SERVICE</u> (Cont'd)
7.2	<u>Service Descriptions</u> (Cont'd)
7.2.3	<u>Voice Grade Service</u> (Cont'd)
	(E) <u>Optional Features and Functions</u> (Cont'd)
	(3) <u>Conditioning</u> (Cont'd)
	(a) <u>C-Type Conditioning</u>
	C-Type Conditioning is provided for the additional control of attenuation distortion and envelope delay distortion on data services. The attenuation distortion and envelope delay distortion specifications for C-Type Conditioning are:
	Attenuation Distortion (Frequency Response) <u>Relative to 1004 HZ</u>
	Frequency Variation <u>Range (Hz)   (dB)</u>
	400-2800   - 1.0 to +2.0
	300-3000   - 1.0 to +3.0
	3000-3200   - 2.0 to +6.0

**ACCESS SERVICE**

<p>7. <u>SPECIAL ACCESS SERVICE</u> (Cont'd)</p> <p>7.2 <u>Service Descriptions</u> (Cont'd)</p> <p>7.2.3 <u>Voice Grade Service</u> (Cont'd)</p> <p>(E) <u>Optional Features and Functions</u> (Cont'd)</p> <p>(3) <u>Conditioning</u> (Cont'd)</p> <p>(a) <u>C-Type Conditioning</u> (Cont'd)</p> <table style="margin-left: 40px;"> <thead> <tr> <th style="text-align: center;">Frequency Range (Hz)</th> <th style="text-align: center;">Envelope Delay Distortion Variation (microseconds)</th> </tr> </thead> <tbody> <tr> <td style="text-align: center;">1000-2600</td> <td style="text-align: center;">100</td> </tr> <tr> <td style="text-align: center;">800-2600</td> <td style="text-align: center;">200</td> </tr> <tr> <td style="text-align: center;">600-2600</td> <td style="text-align: center;">300</td> </tr> <tr> <td style="text-align: center;">500-2800</td> <td style="text-align: center;">600</td> </tr> <tr> <td style="text-align: center;">500-3000</td> <td style="text-align: center;">3000</td> </tr> </tbody> </table> <p>(b) <u>Sealing Current Conditioning</u></p> <p style="margin-left: 40px;">Sealing Current Conditioning is provided to help maintain continuity on dry metallic loops. It is usually associated with four-wire DA or NO type channel interfaces.</p> <p>(4) <u>Customer Specified Premises Receive Level</u></p> <p style="margin-left: 40px;">This option allows the customer to specify the receive level at the Point of Termination. This level</p>	Frequency Range (Hz)	Envelope Delay Distortion Variation (microseconds)	1000-2600	100	800-2600	200	600-2600	300	500-2800	600	500-3000	3000	
Frequency Range (Hz)	Envelope Delay Distortion Variation (microseconds)												
1000-2600	100												
800-2600	200												
600-2600	300												
500-2800	600												
500-3000	3000												

**ACCESS SERVICE**

<p>7. <u>SPECIAL ACCESS SERVICE</u> (Cont'd)</p> <p>7.2 <u>Service Descriptions</u> (Cont'd)</p> <p>7.2.3 <u>Voice Grade Service</u> (Cont'd)</p> <p>(E) <u>Optional Features and Functions</u> (Cont'd)</p> <p>(4) <u>Customer Specified Premises Receive Level</u> (Cont'd)</p> <p>must be within a specific range on effective four-wire transmission. The ranges are delineated in Technical Reference PUB 62501.</p> <p>(5) <u>Improved Return Loss</u></p> <p>(a) On Effective Four-Wire Transmission at Four-Wire Point of Termination (applicable to each two-wire port): Provides for a fixed 600 ohm impedance, variable level range and simplex reversal. Telephone Company equipment is required at the customer's premises where this option is ordered. The Improved Return Loss parameters are delineated in Technical Reference PUB 62501.</p> <p>(b) On Effective Two-Wire Transmission at Two-Wire Point of Termination: Provides for more stringent Echo Control specifications. In order for this option to be applicable, the transmission path must be four-wire at one POT and two-wire at the other POT. Placement of Telephone Company equipment</p>	
---	--

**ACCESS SERVICE**

<p>7. <u>SPECIAL ACCESS SERVICE</u> (Cont'd)</p> <p>7.2 <u>Service Descriptions</u> (Cont'd)</p> <p>7.2.3 <u>Voice Grade Service</u> (Cont'd)</p> <p>(E) <u>Optional Features and Functions</u> (Cont'd)</p> <p>(5) <u>Improved Return Loss</u> (Cont'd)</p> <p>(b) (Cont'd)</p> <p>may be required at the customer's premises with the two-wire POT. The Improved Return Loss parameters are delineated in Technical Reference PUB 62501.</p> <p>(6) <u>Data Capability</u></p> <p>Data Capability provides transmission characteristics suitable for data communications. Specifically, Data Capability provides for the control of Signal to C-Notched Noise Ratio and intermodulation distortion. It is available for two-point services or multipoint services.</p> <p>The Signal to C-Notched Noise Ratio and intermodulation distortion parameter for Data Capability are:</p> <ul style="list-style-type: none"><li>- Signal to C-Notched Noise Ratio is equal to or greater than 32dB</li><li>- Intermodulation distortion</li></ul>	
---	--

**ACCESS SERVICE**

<p>7. <u>SPECIAL ACCESS SERVICE</u> (Cont'd)</p> <p>7.2 <u>Service Descriptions</u> (Cont'd)</p> <p>7.2.3 <u>Voice Grade Service</u> (Cont'd)</p> <p>(E) <u>Optional Features and Functions</u> (Cont'd)</p> <p>(6) <u>Data Capability</u> (Cont'd)</p> <ul style="list-style-type: none"><li>- Signal to second order modulation products (R2) is equal to or greater than 38dB</li><li>- Signal to third order modulation products (R3) is equal to or greater than 42 dB</li></ul> <p>When a service equipped Data Capability is used for voice communications, the quality of the voice transmission may not be satisfactory.</p> <p>(7) <u>Telephoto Capability</u></p> <p>Telephoto Capability provides transmission characteristics suitable for telephotographic communications. Specifically, Telephoto Capability is provided for the control of attenuation distortion and envelope delay distortion of telephotographic services. The attenuation distortion and envelope delay distortion parameters for Telephoto Capability are:</p>	
---	--

**ACCESS SERVICE**

<p>7. <u>SPECIAL ACCESS SERVICE</u> (Cont'd)</p> <p>7.2 <u>Service Descriptions</u> (Cont'd)</p> <p>7.2.3 <u>Voice Grade Service</u> (Cont'd)</p> <p>(E) <u>Optional Features and Functions</u> (Cont'd)</p> <p>(7) <u>Telephoto Capability</u> (Cont'd)</p> <p style="text-align: center;"><u>Attenuation Distortion</u> (1004Hz Reference)</p> <table style="margin-left: auto; margin-right: auto;"> <thead> <tr> <th style="text-align: left;"><u>Frequency Range (Hz)</u></th> <th style="text-align: left;"><u>Variation (dB)</u></th> </tr> </thead> <tbody> <tr> <td>500-3000</td> <td>-0.5 to +1.5</td> </tr> <tr> <td>300-3200</td> <td>-1.0 to +2.5</td> </tr> </tbody> </table> <p style="text-align: center;"><u>Envelope Delay Distortion</u></p> <table style="margin-left: auto; margin-right: auto;"> <thead> <tr> <th style="text-align: left;"><u>Frequency Range (Hz)</u></th> <th style="text-align: left;"><u>Variation (mcs)</u></th> </tr> </thead> <tbody> <tr> <td>1000-2600</td> <td>110</td> </tr> <tr> <td>800-2800</td> <td>180</td> </tr> </tbody> </table> <p>(8) <u>Signaling Capability</u></p> <p>Signaling Capability provides for the process by which one customer premises alerts another customer premises on the same service with which it wishes to communicate.</p> <p>(9) <u>Selective Signaling Arrangement</u></p> <p>An arrangement that permits code selective ringing for up to ten codes on a multipoint service.</p>	<u>Frequency Range (Hz)</u>	<u>Variation (dB)</u>	500-3000	-0.5 to +1.5	300-3200	-1.0 to +2.5	<u>Frequency Range (Hz)</u>	<u>Variation (mcs)</u>	1000-2600	110	800-2800	180	
<u>Frequency Range (Hz)</u>	<u>Variation (dB)</u>												
500-3000	-0.5 to +1.5												
300-3200	-1.0 to +2.5												
<u>Frequency Range (Hz)</u>	<u>Variation (mcs)</u>												
1000-2600	110												
800-2800	180												

**ACCESS SERVICE**

<p>7. <u>SPECIAL ACCESS SERVICE</u> (Cont'd)</p> <p>7.2 <u>Service Descriptions</u> (Cont'd)</p> <p>7.2.3 <u>Voice Grade Service</u> (Cont'd)</p> <p>(E) <u>Optional Features and Functions</u> (Cont'd)</p> <p>(10) <u>Transfer Arrangement</u></p> <p>An arrangement that affords the customer an additional measure of flexibility in the use of their access circuits. The arrangement can be utilized to transfer a leg of a Special Access Service to another circuit that terminates in either the same or a different customer premises. A key activated or dial-up control service is required to operate the transfer arrangement. A spare circuit, if required, is not included as part of the option.</p> <p>(11) <u>Four-Wire/Two-Wire Conversions</u></p> <p>When a customer requests that an effective four-wire circuit be terminated with a two-wire circuit interface at the customer designated premises, a four-wire to two-wire conversion is required. The rate for the conversion is included as part of the basic Circuit Termination rate.</p>	
---	--



**ACCESS SERVICE**

7.	<u>SPECIAL ACCESS SERVICE</u> (Cont'd)													
7.2	<u>Service Descriptions</u> (Cont'd)													
7.2.3	<u>Voice Grade Service</u> (Cont'd)													
	(E) <u>Optional Features and Functions</u> (Cont'd)													
	The following table shows the technical specifications packages with which the optional features and functions are available.													
		Available with Technical Specifications Package VG-												
		<u>C</u>	<u>1</u>	<u>2</u>	<u>3</u>	<u>4</u>	<u>5</u>	<u>6</u>	<u>7</u>	<u>8</u>	<u>9</u>	<u>10</u>	<u>11</u>	<u>12</u>
	C-Type Conditioning	X						X	X	X	X	X	X	
	Central Office Bridging													
	Central Office Capability	X	X					X	X				X	X
	Central Office Multiplexing	X							X					
	Customer Specified Premises Receive Level	X		X	X						X	X	X	
	Data Capability	X								X	X			X
	Improved Return Loss For Effective Four-Wire Transmission	X	X	X	X	X	X	X	X	X	X	X	X	X
	Improved Return Loss For Effective Two-Wire Transmission	X		X	X					X				
	Sealing Current Conditioning	X							X					
	Selective Signaling Arrangement	X		X				X	X				X	X
	Signaling Capability	X	X	X	X					X	X	X		
	Transfer Arrangement	X	X	X	X	X	X	X	X	X	X	X	X	X

**ACCESS SERVICE**

7. <u>SPECIAL ACCESS SERVICE</u> (Cont'd)																																																																																										
7.2	<u>Service Descriptions</u> (Cont'd)																																																																																									
7.2.4	<u>Program Audio Service</u>																																																																																									
(A)	<u>Basic Circuit Description</u>																																																																																									
	A Program Audio circuit is a circuit measured in Hz for the transmission of a complex signal voltage. The actual bandwidth is a function of the channel interface selected by the customer. Only one-way transmission is provided. Program Audio circuits are provided between customer designated premises or between a customer designated premises and a Telephone Company Hub.																																																																																									
(B)	<u>Technical Specifications Packages</u>																																																																																									
	<table border="1"> <thead> <tr> <th rowspan="2"><u>Parameter</u></th> <th colspan="5"><u>Package AP-</u></th> </tr> <tr> <th><u>C<sup>4</sup></u></th> <th><u>1</u></th> <th><u>2</u></th> <th><u>3</u></th> <th><u>4</u></th> </tr> </thead> <tbody> <tr> <td>Actual Measured Loss</td> <td>X</td> <td>X</td> <td>X</td> <td>X</td> <td>X</td> </tr> <tr> <td>Amplitude Tracking</td> <td>X</td> <td></td> <td></td> <td></td> <td></td> </tr> <tr> <td>Crosstalk</td> <td>X</td> <td>X</td> <td>X</td> <td>X</td> <td>X</td> </tr> <tr> <td>Distortion Tracking</td> <td>X</td> <td></td> <td></td> <td></td> <td></td> </tr> <tr> <td>Gain/Frequency</td> <td></td> <td></td> <td></td> <td></td> <td></td> </tr> <tr> <td>  Distortion</td> <td>X</td> <td>X</td> <td>X</td> <td>X</td> <td>X</td> </tr> <tr> <td>Group Delay</td> <td>X</td> <td></td> <td></td> <td></td> <td></td> </tr> <tr> <td>Noise</td> <td>X</td> <td>X</td> <td>X</td> <td>X</td> <td>X</td> </tr> <tr> <td>Phase Tracking</td> <td>X</td> <td></td> <td></td> <td></td> <td></td> </tr> <tr> <td>Short-Term Gain</td> <td></td> <td></td> <td></td> <td></td> <td></td> </tr> <tr> <td>  Stability</td> <td>X</td> <td></td> <td></td> <td></td> <td></td> </tr> <tr> <td>Short-Term Loss</td> <td>X</td> <td></td> <td></td> <td></td> <td></td> </tr> <tr> <td>Total Distortion</td> <td>X</td> <td>X</td> <td>X</td> <td>X</td> <td>X</td> </tr> </tbody> </table>	<u>Parameter</u>	<u>Package AP-</u>					<u>C<sup>4</sup></u>	<u>1</u>	<u>2</u>	<u>3</u>	<u>4</u>	Actual Measured Loss	X	X	X	X	X	Amplitude Tracking	X					Crosstalk	X	X	X	X	X	Distortion Tracking	X					Gain/Frequency						Distortion	X	X	X	X	X	Group Delay	X					Noise	X	X	X	X	X	Phase Tracking	X					Short-Term Gain						Stability	X					Short-Term Loss	X					Total Distortion	X	X	X	X	X
<u>Parameter</u>	<u>Package AP-</u>																																																																																									
	<u>C<sup>4</sup></u>	<u>1</u>	<u>2</u>	<u>3</u>	<u>4</u>																																																																																					
Actual Measured Loss	X	X	X	X	X																																																																																					
Amplitude Tracking	X																																																																																									
Crosstalk	X	X	X	X	X																																																																																					
Distortion Tracking	X																																																																																									
Gain/Frequency																																																																																										
Distortion	X	X	X	X	X																																																																																					
Group Delay	X																																																																																									
Noise	X	X	X	X	X																																																																																					
Phase Tracking	X																																																																																									
Short-Term Gain																																																																																										
Stability	X																																																																																									
Short-Term Loss	X																																																																																									
Total Distortion	X	X	X	X	X																																																																																					

<sup>4</sup> The desired parameters are selected by the customer from the list of available parameters.

**ACCESS SERVICE**

<p>7. <u>SPECIAL ACCESS SERVICE</u> (Cont'd)</p> <p>7.2 <u>Service Descriptions</u> (Cont'd)</p> <p>7.2.4 <u>Program Audio Service</u> (Cont'd)</p> <p>(B) <u>Technical Specifications Packages</u> (Cont'd)</p> <p>The technical specifications are delineated in Technical Reference PUB 62503 and associated Addendum.</p> <p>(C) <u>Channel Interface</u></p> <p>The following channel interfaces (CIs) define the bandwidths that are available for a Program Audio circuit:</p> <table><thead><tr><th><u>CI</u></th><th><u>Bandwidth</u></th></tr></thead><tbody><tr><td>PG-1</td><td>Nominal frequency from 50 to 15000 Hz</td></tr><tr><td>PG-3</td><td>Nominal frequency from 200 to 3500 Hz</td></tr><tr><td>PG-5</td><td>Nominal frequency from 100 to 5000 Hz</td></tr><tr><td>PG-8</td><td>Nominal frequency from 50 to 8000 Hz</td></tr></tbody></table> <p>Compatible channel interfaces are set forth in 7.5.5(D) following.</p> <p>(D) <u>Optional Features and Functions</u></p> <p>(1) <u>Central Office Bridging Capability</u></p> <p>Distribution Amplifier</p> <p>(2) <u>Gain Conditioning</u></p> <p>Control of 1004 Hz AML at initiation of service to OdB <math>\pm</math> 0.5 dB.</p>	<u>CI</u>	<u>Bandwidth</u>	PG-1	Nominal frequency from 50 to 15000 Hz	PG-3	Nominal frequency from 200 to 3500 Hz	PG-5	Nominal frequency from 100 to 5000 Hz	PG-8	Nominal frequency from 50 to 8000 Hz	
<u>CI</u>	<u>Bandwidth</u>										
PG-1	Nominal frequency from 50 to 15000 Hz										
PG-3	Nominal frequency from 200 to 3500 Hz										
PG-5	Nominal frequency from 100 to 5000 Hz										
PG-8	Nominal frequency from 50 to 8000 Hz										

**ACCESS SERVICE**

7. <u>SPECIAL ACCESS SERVICE</u> (Cont'd)					
7.2 <u>Service Descriptions</u> (Cont'd)					
7.2.4 <u>Program Audio Service</u> (Cont'd)					
(D) <u>Optional Features and Functions</u> (Cont'd)					
(3) <u>Stereo</u>					
Provision of a pair of gain/phase equalized channels for stereo applications. (Additional AP channel must be ordered separately.)					
The following table shows the technical specifications packages with which the optional features and functions are available.					
		Available with Technical Specifications Package AP-			
	<u>C</u>	<u>1</u>	<u>2</u>	<u>3</u>	<u>4</u>
Central Office					
Bridging Capability	X	X	X	X	X
Gain Conditioning	X	X	X	X	X
Stereo	X				X

**ACCESS SERVICE**

<p>7. <u>SPECIAL ACCESS SERVICE</u> (Cont'd)</p> <p>7.2 <u>Service Descriptions</u> (Cont'd)</p> <p>7.2.5 <u>Video Service</u></p> <p>(A) <u>Basic Circuit Description</u></p> <p>A Video circuit is a circuit with one-way transmission capability for a standard 525 line/60 field monochrome, or National Television Systems Committee color, video signal and one or two associated 5 or 15 kHz audio signal(s). The bandwidth for a video circuit is either 30 Hz to 4.5 MHz or 30 Hz to 6.6 MHz. The associated audio signal(s) may be either diplexed or provided as one or two separate circuits. The provision and the bandwidth of the associated audio signal(s) is a function of the channel interface selected by the customer. Video circuits are provided between customer designated premises or between a customer designated premises and a Telephone Company Hub.</p> <p>(B) <u>Technical Specifications Packages</u></p> <table border="0" style="margin-left: 40px;"> <thead> <tr> <th style="text-align: left;"><u>Parameter</u></th> <th colspan="3" style="text-align: center;"><u>Package TV-</u></th> </tr> <tr> <th></th> <th style="text-align: center;"><u>C<sup>5</sup></u></th> <th style="text-align: center;"><u>1</u></th> <th style="text-align: center;"><u>2</u></th> </tr> </thead> <tbody> <tr> <td>Amplitude vs. Frequency Response</td> <td style="text-align: center;">X</td> <td></td> <td></td> </tr> <tr> <td>Chrominance/Luminance Inequalities</td> <td></td> <td></td> <td></td> </tr> <tr> <td style="padding-left: 20px;">Gain</td> <td style="text-align: center;">X</td> <td style="text-align: center;">X</td> <td style="text-align: center;">X</td> </tr> <tr> <td style="padding-left: 20px;">Delay</td> <td style="text-align: center;">X</td> <td style="text-align: center;">X</td> <td style="text-align: center;">X</td> </tr> <tr> <td>Chrominance/Luminance Intermodulation</td> <td style="text-align: center;">X</td> <td></td> <td></td> </tr> <tr> <td>Chrominance Nonlinear Gain</td> <td style="text-align: center;">X</td> <td></td> <td></td> </tr> <tr> <td>Chrominance Nonlinear Phase</td> <td style="text-align: center;">X</td> <td></td> <td></td> </tr> <tr> <td>Crosstalk</td> <td style="text-align: center;">X</td> <td></td> <td style="text-align: center;">X</td> </tr> <tr> <td>Differential Gain</td> <td style="text-align: center;">X</td> <td style="text-align: center;">X</td> <td style="text-align: center;">X</td> </tr> </tbody> </table>	<u>Parameter</u>	<u>Package TV-</u>				<u>C<sup>5</sup></u>	<u>1</u>	<u>2</u>	Amplitude vs. Frequency Response	X			Chrominance/Luminance Inequalities				Gain	X	X	X	Delay	X	X	X	Chrominance/Luminance Intermodulation	X			Chrominance Nonlinear Gain	X			Chrominance Nonlinear Phase	X			Crosstalk	X		X	Differential Gain	X	X	X	
<u>Parameter</u>	<u>Package TV-</u>																																												
	<u>C<sup>5</sup></u>	<u>1</u>	<u>2</u>																																										
Amplitude vs. Frequency Response	X																																												
Chrominance/Luminance Inequalities																																													
Gain	X	X	X																																										
Delay	X	X	X																																										
Chrominance/Luminance Intermodulation	X																																												
Chrominance Nonlinear Gain	X																																												
Chrominance Nonlinear Phase	X																																												
Crosstalk	X		X																																										
Differential Gain	X	X	X																																										

<sup>5</sup> The desired parameters are selected by the customer from the list of available parameters.

**ACCESS SERVICE**

7. <u>SPECIAL ACCESS SERVICE</u> (Cont'd)			
7.2 <u>Service Descriptions</u> (Cont'd)			
7.2.5 <u>Video Service</u> (Cont'd)			
(B) <u>Technical Specifications Packages</u> (Cont'd)			
		<u>Package TV-</u>	
<u>Parameter</u>	<u>C<sup>6</sup></u>	<u>1</u>	<u>2</u>
Differential Phase	X	X	X
Dynamic Gain (picture and sync signal)	X		
Field-Time Distortion	X	X	X
Gain/Frequency Distortion	X	X	X
Gain Stability	X	X	X
Insertion Gain	X	X	X
Line-Time Distortion	X	X	X
Long-Time Distortion	X	X	X
Luminance Nonlinearity	X		
Luminance Signal/CCIR Weighted Noise	X	X	X
Short-Time Distortion			
2 T Pulse	X	X	X
T - Bar Ringing	X	X	X
Signal/15 kHz Flat			
Weighted Noise	X	X	X
Signal/Low Frequency Noise	X		
Stereo Gain Difference	X	X	
Stereo Phase Difference	X	X	
Total Harmonic Distortion	X	X	X
Transient Sync Signal			
Non-Linearity	X		
Video/Audio Delay Difference	X		
The technical specifications are delineated in Technical Reference PUB 620504 and associated Addendum.			

<sup>6</sup> The desired parameters are selected by the customer from the list of available parameters.

**ACCESS SERVICE**

<p>7. <u>SPECIAL ACCESS SERVICE</u> (Cont'd)</p> <p>7.2 <u>Service Descriptions</u> (Cont'd)</p> <p>7.2.5 <u>Video Service</u> (Cont'd)</p> <p>(C) <u>Channel Interfaces</u></p> <p>The following channel interfaces (CIs) define the bandwidth and the provision of the audio signal(s) associated with a Video circuit:</p> <table border="1"> <thead> <tr> <th><u>CI</u></th> <th><u>Audio Bandwidth</u></th> <th><u>Provision</u></th> </tr> </thead> <tbody> <tr><td>2TV6-1</td><td>15kHz</td><td>1 Channel, duplexed</td></tr> <tr><td>2TV6-2</td><td>15kHz</td><td>2 Channels, duplexed</td></tr> <tr><td>2TV7-1</td><td>15kHz</td><td>1 Channel, duplexed</td></tr> <tr><td>2TV7-2</td><td>15kHz</td><td>2 Channels, duplexed</td></tr> <tr><td>4TV6-5</td><td>5kHz</td><td>1 Channel, separate</td></tr> <tr><td>4TV6-15</td><td>15kHz</td><td>1 Channel, separate</td></tr> <tr><td>4TV7-5</td><td>5kHz</td><td>1 Channel, separate</td></tr> <tr><td>4TV7-15</td><td>15kHz</td><td>1 Channel, separate</td></tr> <tr><td>6TV6-5</td><td>5kHz</td><td>2 Channels, separate</td></tr> <tr><td>6TV6-15</td><td>15kHz</td><td>2 Channels, separate</td></tr> <tr><td>6TV7-5</td><td>5kHz</td><td>2 Channels, separate</td></tr> <tr><td>6TV7-15</td><td>15kHz</td><td>2 Channels, separate</td></tr> </tbody> </table> <p>Compatible channel interfaces are set forth in 7.5.5(E) following.</p>	<u>CI</u>	<u>Audio Bandwidth</u>	<u>Provision</u>	2TV6-1	15kHz	1 Channel, duplexed	2TV6-2	15kHz	2 Channels, duplexed	2TV7-1	15kHz	1 Channel, duplexed	2TV7-2	15kHz	2 Channels, duplexed	4TV6-5	5kHz	1 Channel, separate	4TV6-15	15kHz	1 Channel, separate	4TV7-5	5kHz	1 Channel, separate	4TV7-15	15kHz	1 Channel, separate	6TV6-5	5kHz	2 Channels, separate	6TV6-15	15kHz	2 Channels, separate	6TV7-5	5kHz	2 Channels, separate	6TV7-15	15kHz	2 Channels, separate	
<u>CI</u>	<u>Audio Bandwidth</u>	<u>Provision</u>																																						
2TV6-1	15kHz	1 Channel, duplexed																																						
2TV6-2	15kHz	2 Channels, duplexed																																						
2TV7-1	15kHz	1 Channel, duplexed																																						
2TV7-2	15kHz	2 Channels, duplexed																																						
4TV6-5	5kHz	1 Channel, separate																																						
4TV6-15	15kHz	1 Channel, separate																																						
4TV7-5	5kHz	1 Channel, separate																																						
4TV7-15	15kHz	1 Channel, separate																																						
6TV6-5	5kHz	2 Channels, separate																																						
6TV6-15	15kHz	2 Channels, separate																																						
6TV7-5	5kHz	2 Channels, separate																																						
6TV7-15	15kHz	2 Channels, separate																																						

**ACCESS SERVICE**

<p>7. <u>SPECIAL ACCESS SERVICE</u> (Cont'd)</p> <p>7.2 <u>Service Descriptions</u> (Cont'd)</p> <p>7.2.6 <u>Wideband Analog Service</u></p> <p>(A) <u>Basic Circuit Description</u></p> <p>A Wideband Analog circuit is a circuit with a bandwidth measured in kHz for the transmission of a wideband signal. The actual bandwidth is a function of the channel interface selected by the customer. Wideband Analog circuits are provided between customer designated premises or between a customer designated premises and a Telephone Company Hub.</p> <p>(B) <u>Technical Specifications Packages</u></p> <table border="0"> <thead> <tr> <th rowspan="2"><u>Parameter</u></th> <th colspan="5"><u>Package WA-</u></th> </tr> <tr> <th><u>1</u></th> <th><u>2</u></th> <th><u>2A</u></th> <th><u>3</u></th> <th><u>4</u></th> </tr> </thead> <tbody> <tr> <td>Amplitude Stability</td> <td>X</td> <td>X</td> <td></td> <td></td> <td></td> </tr> <tr> <td>Background Noise</td> <td>X</td> <td>X</td> <td>X</td> <td>X</td> <td>X</td> </tr> <tr> <td>Frequency Shift</td> <td>X</td> <td>X</td> <td>X</td> <td></td> <td></td> </tr> <tr> <td>Gain/Frequency Characteristics of:</td> <td></td> <td></td> <td></td> <td></td> <td></td> </tr> <tr> <td>- Group Connections</td> <td>X</td> <td></td> <td></td> <td>X</td> <td>X</td> </tr> <tr> <td>- Supergroup Connections</td> <td>X</td> <td></td> <td></td> <td></td> <td></td> </tr> <tr> <td>- Mastergroup Connections</td> <td></td> <td>X</td> <td></td> <td></td> <td></td> </tr> <tr> <td>Impulse Noise</td> <td>X</td> <td>X</td> <td>X</td> <td></td> <td></td> </tr> <tr> <td>Net Loss Variations</td> <td>X</td> <td>X</td> <td>X</td> <td>X</td> <td>X</td> </tr> <tr> <td>Pilot Slot</td> <td>X</td> <td>X</td> <td>X</td> <td></td> <td></td> </tr> <tr> <td>Spurious Single</td> <td></td> <td></td> <td></td> <td></td> <td></td> </tr> <tr> <td>Frequency Tone</td> <td>X</td> <td>X</td> <td>X</td> <td></td> <td></td> </tr> </tbody> </table> <p>The technical specifications are delineated in Technical Reference PUB 62505 and associated Addendum.</p>	<u>Parameter</u>	<u>Package WA-</u>					<u>1</u>	<u>2</u>	<u>2A</u>	<u>3</u>	<u>4</u>	Amplitude Stability	X	X				Background Noise	X	X	X	X	X	Frequency Shift	X	X	X			Gain/Frequency Characteristics of:						- Group Connections	X			X	X	- Supergroup Connections	X					- Mastergroup Connections		X				Impulse Noise	X	X	X			Net Loss Variations	X	X	X	X	X	Pilot Slot	X	X	X			Spurious Single						Frequency Tone	X	X	X			
<u>Parameter</u>		<u>Package WA-</u>																																																																																		
	<u>1</u>	<u>2</u>	<u>2A</u>	<u>3</u>	<u>4</u>																																																																															
Amplitude Stability	X	X																																																																																		
Background Noise	X	X	X	X	X																																																																															
Frequency Shift	X	X	X																																																																																	
Gain/Frequency Characteristics of:																																																																																				
- Group Connections	X			X	X																																																																															
- Supergroup Connections	X																																																																																			
- Mastergroup Connections		X																																																																																		
Impulse Noise	X	X	X																																																																																	
Net Loss Variations	X	X	X	X	X																																																																															
Pilot Slot	X	X	X																																																																																	
Spurious Single																																																																																				
Frequency Tone	X	X	X																																																																																	



**ACCESS SERVICE**

<p>7. <u>SPECIAL ACCESS SERVICE</u> (Cont'd)</p> <p>7.2 <u>Service Descriptions</u> (Cont'd)</p> <p>7.2.6 <u>Wideband Analog Service</u> (Cont'd)</p> <p>(C) <u>Channel Interfaces</u></p> <p>The following channel interface(s) (CIs) define the bandwidths that are available for a Wideband Analog channel:</p> <table><thead><tr><th><u>CI</u></th><th><u>Bandwidth</u></th></tr></thead><tbody><tr><td>AH-B</td><td>60 kHz to 108 kHz (Group)</td></tr><tr><td>AH-C</td><td>312 kHz to 552 kHz (Supergroup)</td></tr><tr><td>AH-D</td><td>564 kHz to 3084 kHz (Mastergroup)</td></tr><tr><td>WD-1</td><td>300 Hz to 18 kHz</td></tr><tr><td>WD-2</td><td>29 kHz to 44 kHz</td></tr><tr><td>WD-3</td><td>28 kHz to 44 kHz</td></tr></tbody></table> <p>Compatible channel interfaces are set forth in 7.5.5(F) following.</p> <p>(D) <u>Optional Features and Functions</u></p> <p>(1) <u>Central Office Multiplexing</u></p> <p>(a) <u>Mastergroup to Supergroup</u></p> <p>An arrangement that converts a Mastergroup circuit to ten Supergroup circuits using frequency division multiplexing.</p>	<u>CI</u>	<u>Bandwidth</u>	AH-B	60 kHz to 108 kHz (Group)	AH-C	312 kHz to 552 kHz (Supergroup)	AH-D	564 kHz to 3084 kHz (Mastergroup)	WD-1	300 Hz to 18 kHz	WD-2	29 kHz to 44 kHz	WD-3	28 kHz to 44 kHz	
<u>CI</u>	<u>Bandwidth</u>														
AH-B	60 kHz to 108 kHz (Group)														
AH-C	312 kHz to 552 kHz (Supergroup)														
AH-D	564 kHz to 3084 kHz (Mastergroup)														
WD-1	300 Hz to 18 kHz														
WD-2	29 kHz to 44 kHz														
WD-3	28 kHz to 44 kHz														

**ACCESS SERVICE**

<p>7. <u>SPECIAL ACCESS SERVICE</u> (Cont'd)</p> <p>7.2 <u>Service Descriptions</u> (Cont'd)</p> <p>7.2.6 <u>Wideband Analog Service</u> (Cont'd)</p> <p>(D) <u>Optional Features and Functions</u> (Cont'd)</p> <p>(1) <u>Central Office Multiplexing</u> (Cont'd)</p> <p>(b) <u>Supergroup to Group</u></p> <p>An arrangement that converts a Supergroup circuit to five Group circuits using frequency division multiplexing.</p> <p>(c) <u>Group to Voice</u></p> <p>An arrangement that converts a Group circuit to twelve Voice Grade circuits using frequency division multiplexing.</p> <p>(d) <u>Group to DS1</u></p> <p>An arrangement that converts two Group circuit to DS1 circuit using analog to digital conversion.</p> <p>The following table shows the technical specifications packages with which the optional features and functions are available.</p>	
--	--

**ACCESS SERVICE**

<p>7. <u>SPECIAL ACCESS SERVICE</u> (Cont'd)</p> <p>7.2 <u>Service Descriptions</u> (Cont'd)</p> <p>7.2.6 <u>Wideband Analog Service</u> (Cont'd)</p> <p>(D) <u>Optional Features and Functions</u> (Cont'd)</p> <p>(1) <u>Central Office Multiplexing</u> (Cont'd)</p>	<table style="width: 100%; border-collapse: collapse;"> <thead> <tr> <th rowspan="2"></th> <th colspan="5" style="text-align: center;">Available with Technical Specifications Package WA-</th> </tr> <tr> <th style="text-align: center;"><u>1</u></th> <th style="text-align: center;"><u>2</u></th> <th style="text-align: center;"><u>2A</u></th> <th style="text-align: center;"><u>3</u></th> <th style="text-align: center;"><u>4</u></th> </tr> </thead> <tbody> <tr> <td>Central Office Multiplexing:</td> <td></td> <td></td> <td></td> <td></td> <td></td> </tr> <tr> <td>  Mastergroup to Supergroup</td> <td></td> <td></td> <td style="text-align: center;">X</td> <td></td> <td></td> </tr> <tr> <td>  Supergroup to Group</td> <td></td> <td style="text-align: center;">X</td> <td></td> <td></td> <td></td> </tr> <tr> <td>  Group to Voice</td> <td style="text-align: center;">X</td> <td></td> <td></td> <td></td> <td></td> </tr> <tr> <td>  Group to DS1<sup>7</sup></td> <td></td> <td></td> <td></td> <td></td> <td></td> </tr> </tbody> </table> <p>7.2.7 <u>Wideband Data Service</u></p> <p>(A) <u>Basic Circuit Description</u></p> <p>A Wideband Data circuit is an analog circuit for the transmission of synchronous serial data at the rate of 19.2, 50.0, or 230.4 kbps or of asynchronous serial data at ranges of up to 19.2, 50.0, or 230.4 kbps. Optional arrangements are available for transmission of synchronous serial data at 18.75 or 40.8 kbps. The actual bit rate is a function of the channel interface selected by the customer. This service requires a 303 Data Station(s). The 303 Data Station provides coupling</p>		Available with Technical Specifications Package WA-					<u>1</u>	<u>2</u>	<u>2A</u>	<u>3</u>	<u>4</u>	Central Office Multiplexing:						Mastergroup to Supergroup			X			Supergroup to Group		X				Group to Voice	X					Group to DS1 <sup>7</sup>					
	Available with Technical Specifications Package WA-																																									
	<u>1</u>	<u>2</u>	<u>2A</u>	<u>3</u>	<u>4</u>																																					
Central Office Multiplexing:																																										
Mastergroup to Supergroup			X																																							
Supergroup to Group		X																																								
Group to Voice	X																																									
Group to DS1 <sup>7</sup>																																										

<sup>7</sup> Requires two channels with technical specifications package WA1 to form a WA1T service.

**ACCESS SERVICE**

<p>7. <u>SPECIAL ACCESS SERVICE</u> (Cont'd)</p> <p>7.2 <u>Service Descriptions</u> (Cont'd)</p> <p>7.2.7 <u>Wideband Data Service</u> (Cont'd)</p> <p>(A) <u>Basic Circuit Description</u> (Cont'd)</p> <p>between the customer's business machine and the wideband data transmission medium. A voice band coordinating channel is also provided. Wideband Data circuits are provided between customer designated premises.</p> <p>(B) <u>Technical Specifications Package</u></p> <table style="margin-left: 40px;"> <tr> <td></td> <td colspan="3" style="text-align: center;"><u>Package WD-</u></td> </tr> <tr> <td>Error-Free Seconds</td> <td style="text-align: center;"><math>\frac{1}{X}</math></td> <td style="text-align: center;"><math>\frac{2}{X}</math></td> <td style="text-align: center;"><math>\frac{3}{X}</math></td> </tr> <tr> <td>Parameter</td> <td style="text-align: center;">X</td> <td style="text-align: center;">X</td> <td style="text-align: center;">X</td> </tr> </table> <p>While in service, the monthly average of error-free seconds will be equal to or greater than 98.75%.</p>		<u>Package WD-</u>			Error-Free Seconds	$\frac{1}{X}$	$\frac{2}{X}$	$\frac{3}{X}$	Parameter	X	X	X	
	<u>Package WD-</u>												
Error-Free Seconds	$\frac{1}{X}$	$\frac{2}{X}$	$\frac{3}{X}$										
Parameter	X	X	X										

**ACCESS SERVICE**

7. SPECIAL ACCESS SERVICE (Cont'd)

7.2 Service Descriptions (Cont'd)

7.2.7 Wideband Data Service (Cont'd)

(C) Channel Interfaces

The following channel interfaces (CIs) define the bit rates that are available for a Wideband Data circuit:

<u>CI</u>	<u>Bit Rate</u>
WB-18S	18.75 kbps, synchronous
WB-19A	up to 19.2 kbps, asynchronous
WB-19S	19.2 kbps, synchronous
WB-23A	up to 230.4 kbps, asynchronous
WB-23S	230.4 kbps, synchronous
WB-40S	40.8 kbps, synchronous
WB-50A	up to 50.0 kbps, asynchronous
WB-50S	50.0 kbps, synchronous

Compatible channel interfaces are set forth in 7.5.5(G) following.

(D) Optional Features and Functions

(1) Key Activated Transfer Arrangement

An arrangement that affords the customer an additional measure of flexibility in the use of their access circuit(s). The arrangement can be utilized to transfer a leg of Special Access Service to either

**ACCESS SERVICE**

<p>7. <u>SPECIAL ACCESS SERVICE</u> (Cont'd)</p> <p>7.2 <u>Service Descriptions</u> (Cont'd)</p> <p>7.2.7 <u>Wideband Data Service</u> (Cont'd)</p> <p>(D) <u>Optional Features and Functions</u> (Cont'd)</p> <p>(1) <u>Key Activated Transfer Arrangement</u> (Cont'd)</p> <p>a spare or working circuit that terminates in either the same or a different customer premises. A key activated control service is required to operate the transfer arrangement. A spare circuit, if required, is not included as a part of the option.</p> <p>The following table shows the technical specifications packages with which the optional features and functions are available.</p> <table style="margin-left: auto; margin-right: auto;"> <thead> <tr> <th></th> <th colspan="3" style="text-align: center;"><u>Available with Technical Specifications Package WD-</u></th> </tr> <tr> <th></th> <th style="text-align: center;"><u>1</u></th> <th style="text-align: center;"><u>2</u></th> <th style="text-align: center;"><u>3</u></th> </tr> </thead> <tbody> <tr> <td style="text-align: center;">Key Activated Transfer Arrangement</td> <td style="text-align: center;">X</td> <td style="text-align: center;">X</td> <td style="text-align: center;">X</td> </tr> </tbody> </table>		<u>Available with Technical Specifications Package WD-</u>				<u>1</u>	<u>2</u>	<u>3</u>	Key Activated Transfer Arrangement	X	X	X	
	<u>Available with Technical Specifications Package WD-</u>												
	<u>1</u>	<u>2</u>	<u>3</u>										
Key Activated Transfer Arrangement	X	X	X										

**ACCESS SERVICE**

<p>7. <u>SPECIAL ACCESS SERVICE</u> (Cont'd)</p> <p>7.2 <u>Service Descriptions</u> (Cont'd)</p> <p>7.2.8 <u>Digital Data Service</u></p> <p>(A) <u>Basic Circuit Description</u></p> <p>A Digital Data circuit is a circuit for duplex four-wire transmission of synchronous serial data at the rate of 2.4, 4.8, 9.6 or 56 kbps. The actual bit rate is a function of the channel interface selected by the customer. The circuit provides a synchronous service with timing provided by the Telephone Company through the Telephone Company's facilities to the customer in the received bit stream. Digital Data circuits are only available via Telephone Company designated hubs and are provided between customer designated premises or between a customer designated premises and a Telephone Company hub.</p> <p>The customer may provide the Channel Service Unit-type equipment or other Network Channel Terminating Equipment associated with the Digital Data circuit at the customer premises. The interim program for interconnection of such equipment is set forth in Technical References PUB AS No. 1.</p>	
--	--

**ACCESS SERVICE**

7. SPECIAL ACCESS SERVICE (Cont'd)

7.2 Service Descriptions (Cont'd)

7.2.8 Digital Data Service (Cont'd)

(B) Technical Specifications Packages

<u>Parameter</u>	<u>Package DA</u>			
	<u>1</u>	<u>2</u>	<u>3</u>	<u>4</u>
Error-Free Seconds	X	X	X	X

The Telephone Company will provide a circuit capable of meeting a monthly average performance equal to or greater than 99.875% error-free seconds while the circuit is in service, if it is measured through a CSU equivalent which is designed, manufactured, and maintained to conform with the specifications contained in Technical Reference PUB 62310.

Voltages that are compatible with Digital Data Service are delineated in Technical Reference PUB 62507.

(C) Channel Interfaces

The following channel interfaces (CIs) define the bit rates that are available for a Digital Data circuit.

<u>CI</u>	<u>Bit Rate</u>
DU-24	2.4 kbps
DU-48	4.8 kbps
DU-96	9.6 kbps
DU-56	56.0 kbps

Compatible channel interfaces are set forth in 7.5.5(H) following.



**ACCESS SERVICE**

7.	<u>SPECIAL ACCESS SERVICE</u> (Cont'd)
7.2	<u>Service Descriptions</u> (Cont'd)
7.2.8	<u>Digital Data Service</u> (Cont'd)
	(D) <u>Optional Features and Functions</u>
	(1) <u>Central Office Bridging Capability</u>
	Digital data bridging is available on an individual case basis only.
	(2) <u>Transfer Arrangement</u>
	An arrangement that affords the customer an additional measure of protection and/or flexibility in the use of their access circuit(s) on a 1xN basis. The arrangement can be utilized to transfer a leg of a Special Access Service to either a spare or working circuit that terminates in either the same or a different customer designated premises. This arrangement is only available at a Telephone Company designated hub. A key activated or dial-up control service is required to operate the transfer arrangement. A spare circuit, if required, is not included as a part of the option.
7.2.9	<u>High Capacity Service</u>
	(A) <u>Basic Circuit Description</u>
	A High Capacity circuit is a circuit for the transmission of nominal 64.0 kbps <sup>8</sup> or 1.544, 3.152, 6.312, 44.736, or 274.176 Mbps isochronous serial data. The actual bit

<sup>8</sup> Available only as a circuit of 1.544 Mbps facility to a Telephone Company Digital Data hub or as a cross connect of two 2.4, 4.8, 9.6, 56.0 or 64.0 kbps circuits of two 1.544 Mbps facilities to a Digital Data hub(s). The customer must provide system and channel assignment data.

**ACCESS SERVICE**

<p>7. <u>SPECIAL ACCESS SERVICE</u> (Cont'd)</p> <p>7.2 <u>Service Descriptions</u> (Cont'd)</p> <p>7.2.9 <u>High Capacity Service</u> (Cont'd)</p> <p>(A) <u>Basic Circuit Description</u> (Cont'd)</p> <p>rate is a function of the channel interface selected by the customer. High Capacity circuits are provided between a customer designated premises or between a customer designated premises and a Telephone Company hub.</p> <p>The customer may provide the Network Channel Terminating Equipment associated with the High Capacity circuit at the customer's premises. The interim program for interconnection of such equipment is set forth in Technical Reference PUB AS No. 1.</p> <p>(B) <u>Technical Specifications Packages</u></p> <table border="0"> <tr> <td></td> <td colspan="5" style="text-align: center;"><u>Package HC</u></td> </tr> <tr> <td style="text-align: left;"><u>Parameter</u></td> <td style="text-align: center;"><u>0</u></td> <td style="text-align: center;"><u>1</u></td> <td style="text-align: center;"><u>1C</u></td> <td style="text-align: center;"><u>2</u></td> <td style="text-align: center;"><u>3</u></td> <td style="text-align: center;"><u>4</u></td> </tr> <tr> <td>Error-Free Seconds</td> <td></td> <td style="text-align: center;">X</td> <td></td> <td></td> <td></td> <td></td> </tr> </table> <p>A circuit with technical specifications package HC1 will be capable of an error-free second performance of 98.75% over a continuous 24 hour period as measured at the 1.544 Mbps rate through a CSU equivalent which is designed, manufactured, and maintained to conform with the specifications contained in Technical Reference PUB 62411.</p>		<u>Package HC</u>					<u>Parameter</u>	<u>0</u>	<u>1</u>	<u>1C</u>	<u>2</u>	<u>3</u>	<u>4</u>	Error-Free Seconds		X					
	<u>Package HC</u>																				
<u>Parameter</u>	<u>0</u>	<u>1</u>	<u>1C</u>	<u>2</u>	<u>3</u>	<u>4</u>															
Error-Free Seconds		X																			

**ACCESS SERVICE**

<p>7. <u>SPECIAL ACCESS SERVICE</u> (Cont'd)</p> <p>7.2 <u>Service Descriptions</u> (Cont'd)</p> <p>7.2.9 <u>High Capacity Service</u> (Cont'd)</p> <p>(C) <u>Channel Interfaces</u></p> <p>The following channel interfaces (CIs) define the bit rates that are available for a High Capacity circuit:</p> <table border="1"> <thead> <tr> <th>CI</th> <th>Bit Rate</th> </tr> </thead> <tbody> <tr> <td>DS-15<sup>9</sup></td> <td>1.544 Mbps (DS1)</td> </tr> <tr> <td>DS-27</td> <td>274.176 Mbps (DS4)</td> </tr> <tr> <td>DS-31</td> <td>3.152 Mbps (DSIC)</td> </tr> <tr> <td>DS-44</td> <td>44.736 Mbps (DS3)</td> </tr> <tr> <td>DS-63</td> <td>6.312 Mbps (DS2)</td> </tr> </tbody> </table> <p>Compatible channel interfaces are set forth in 7.5.5(I) following.</p> <p>(D) <u>Optional Features and Functions</u></p> <p>(1) <u>Automatic Loop Transfer</u></p> <p>The Automatic Loop Transfer provides protection on a 1xN basis against failure of the facilities between a customer designated premises and the wire center serving that premises. Protection is furnished through the use of a switching arrangement that automatically switches to a spare circuit line when a working line fails. The spare circuit is not included as a part of the option. This options requires</p>	CI	Bit Rate	DS-15 <sup>9</sup>	1.544 Mbps (DS1)	DS-27	274.176 Mbps (DS4)	DS-31	3.152 Mbps (DSIC)	DS-44	44.736 Mbps (DS3)	DS-63	6.312 Mbps (DS2)	
CI	Bit Rate												
DS-15 <sup>9</sup>	1.544 Mbps (DS1)												
DS-27	274.176 Mbps (DS4)												
DS-31	3.152 Mbps (DSIC)												
DS-44	44.736 Mbps (DS3)												
DS-63	6.312 Mbps (DS2)												

<sup>9</sup> A 64.0 kbps circuit is available as a circuit(s) of a 1.544 Mbps facility to a Telephone Company hub.

**ACCESS SERVICE**

<p>7. <u>SPECIAL ACCESS SERVICE</u> (Cont'd)</p> <p>7.2 <u>Service Descriptions</u> (Cont'd)</p> <p>7.2.9 <u>High Capacity Service</u> (Cont'd)</p> <p>(D) <u>Optional Features and Functions</u> (Cont'd)</p> <p>(1) <u>Automatic Loop Transfer</u> (Cont'd)</p> <p>compatible equipment at both the serving wire center and the customer premises. The customer is responsible for providing the equipment at its premises. Equipment at the customer premises will be provided under Price List only if it existed in the Telephone Company inventory as of November 18, 1983.</p> <p>(2) <u>Central Office Multiplexing</u></p> <p>(a) <u>DS4 to DS1</u></p> <p>An arrangement that converts a 274.176 Mbps circuit to 168 DS1 circuits using digital time division multiplexing.</p> <p>(b) <u>DS3 to DS1</u></p> <p>An arrangement that converts a 44.736 Mbps circuit to 28 DS1 circuits using digital time division multiplexing.</p>	
---	--

**ACCESS SERVICE**

7.	<u>SPECIAL ACCESS SERVICE</u> (Cont'd)
7.2	<u>Service Descriptions</u> (Cont'd)
7.2.9	<u>High Capacity Service</u> (Cont'd)
	(D) <u>Optional Features and Functions</u> (Cont'd)
	(2) <u>Central Office Multiplexing</u> (Cont'd)
	(c) <u>DS2 to DS1</u>
	An arrangement that converts a 6.312 Mbps circuit to four DS1 circuits using digital time division multiplexing.
	(d) <u>DS1C to DS1</u>
	An arrangement that converts a 3.152 Mbps circuit to two DS1 circuits using digital time division multiplexing.
	(e) <u>DS1 to Voice</u>
	An arrangement that converts a 1.544 Mbps circuit to 24 circuits for use with Voice Grade Services. A circuit at this DS1 to the Hub can also be used for a Digital Data Service.
	(f) <u>DS1 to DS0</u>
	An arrangement that converts a 1.544 Mbps circuit to 23 64.0 kbps circuits utilizing digital time division multiplexing.

**ACCESS SERVICE**

7. <u>SPECIAL ACCESS SERVICE</u> (Cont'd)	
7.2 <u>Service Descriptions</u> (Cont'd)	
7.2.9 <u>High Capacity Service</u> (Cont'd)	
(D) <u>Optional Features and Functions</u> (Cont'd)	
(2) <u>Central Office Multiplexing</u> (Cont'd)	
(g) <u>DSO to Subrate</u>	
An arrangement that converts a 64.0 kbps circuit to subspeeds of up to twenty 2.4 kbps, ten 4.8 kbps, or five 9.6 kbps circuits using digital time division multiplexing.	
The following table shows the technical specifications packages with which the optional features and functions are available.	
	Available with Technical Specifications Package HC-
	<u>0</u> <u>1</u> <u>1C</u> <u>2</u> <u>3</u> <u>4</u>
Automatic Loop Transfer	X
Central Office Multiplexing:	
DS4 to DS1	X
DS3 to DS1	X
DS2 to DS1	X
DS1C to DS1	X
DS1 to Voice	X
DS1 to DS0	X
DS0 to Subrate <sup>10</sup>	X
Transfer Arrangement	X

<sup>10</sup> Available only on a circuit of a 1.544 Mbps facility to a Telephone Company hub.

**ACCESS SERVICE**

7. SPECIAL ACCESS SERVICE (Cont'd)

7.3 Rate Regulations

This section contains the specific regulations governing the rates and charges that apply for Special Access Service.

7.3.1 Types of Rates and Charges

There are three types of rates and charges. These are monthly rates, daily rates and nonrecurring charges. The rates and charges are described as follows:

(A) Monthly Rates

Monthly rates are flat recurring rates that apply each month or fraction thereof that a Special Access Service is provided. For billing purposes, each month is considered to have 30 days.

(B) Daily Rates

Daily rates are flat recurring rates that apply to each 24 hour period or fraction thereof that a Program Audio Special Access Service is provided for part-time or occasional use. For the purposes of applying daily rates, the 24 hour period is not limited to a calendar day.

Part-time or occasional Program Audio Service provided within a consecutive 30 day period will be charged the daily rate, not to exceed an amount equal to the monthly rate. For each subsequent day or part day, a charge equal to 1/30th of the monthly rate shall apply.

**ACCESS SERVICE**

7. SPECIAL ACCESS SERVICE (Cont'd)

7.3 Rate Regulations (Cont'd)

7.3.1 Types of Rates and Charges (Cont'd)

(C) Nonrecurring Charges

Nonrecurring charges are one-time charges that apply for specific work activity (i.e., installation or change to an existing service). The types of nonrecurring charges that apply for Special Access Service are: installation of service, installation of optional features and functions, and service rearrangements.

(1) Installation of Service

Nonrecurring charges apply to each service installed. The nonrecurring charges for the installation of service are set forth in Section 20 following as a nonrecurring charge for the Circuit Termination rate element.

(2) Installation of Optional Features and Functions

Nonrecurring charges apply for the installation of some of the optional features and functions available with Special Access Service. The charge applies whether the feature or function is installed coincident with the initial installation of service or at any time subsequent to the installation of the service.



**ACCESS SERVICE**

<p>7. <u>SPECIAL ACCESS SERVICE</u> (Cont'd)</p> <p>7.3 <u>Rate Regulations</u> (Cont'd)</p> <p>7.3.1 <u>Types of Rates and Charges</u> (Cont'd)</p> <p>(C) <u>Nonrecurring Charges</u> (Cont'd)</p> <p>(2) <u>Installation of Optional Features and Functions</u> (Cont'd)</p> <p>The optional features for which non-recurring charges apply are:</p> <ul style="list-style-type: none"><li>- Voice Grade Data Capability</li><li>- Voice Grade Telephone Capability</li><li>- Program Audio Gain Conditioning</li><li>- Program Audio Stereo</li><li>- Wideband Data Transfer Arrangement</li></ul> <p>(3) <u>Service Rearrangements</u></p> <p>Service rearrangements are changes to existing (installed) services which may be administrative only in nature, or that involve actual physical change to the service. Changes to pending orders are set forth in Section 5.2.3 preceding.</p> <p>Changes in the physical location of the point of termination or customer designated premises are moves as set forth in 7.3.5 following.</p>	
--	--

**ACCESS SERVICE**

<p>7. <u>SPECIAL ACCESS SERVICE</u> (Cont'd)</p> <p>7.3 <u>Rate Regulations</u> (Cont'd)</p> <p>7.3.1 <u>Types of Rates and Charges</u> (Cont'd)</p> <p>(C) <u>Nonrecurring Charges</u> (Cont'd)</p> <p>(3) <u>Service Rearrangements</u> (Cont'd)</p> <p>Changes in the type of Service or Circuit Termination which result in a change of the minimum period requirement will be treated as a discontinuance of the service and an installation of a new service.</p> <p>Administrative changes will be made without charge(s) to the customer. Administrative changes are as follows:</p> <ul style="list-style-type: none"><li>- Change of customer name,</li><li>- Change of customer or customer's end user premises address when the change of address is not a result of a physical relocation of equipment,</li><li>- Change in billing data (name, address, or contact name or telephone number),</li><li>- Change of agency authorization,</li><li>- Change of customer circuit identification,</li><li>- Change of billing account number,</li><li>- Change of customer test line number,</li><li>- Change of customer or customer's end user contact name or telephone number, and</li><li>- Change of jurisdiction.</li></ul>	
---	--

**ACCESS SERVICE**

<p>7. <u>SPECIAL ACCESS SERVICE</u> (Cont'd)</p> <p>7.3 <u>Rate Regulations</u> (Cont'd)</p> <p>7.3.1 <u>Types of Rates and Charges</u> (Cont'd)</p> <p>(C) <u>Nonrecurring Charges</u> (Cont'd)</p> <p>(3) <u>Service Rearrangements</u> (Cont'd)</p> <p>All other service rearrangements will be charged for as follows:</p> <ul style="list-style-type: none"><li>- If the change involves the addition of other customer designated premises to an existing multipoint service, the nonrecurring charge for the Circuit Termination rate element will apply. The charge(s) will apply only for the location(s) that is being added.</li><li>- If the change involves the addition of an optional feature or function which has a separate nonrecurring charge, that nonrecurring charge will apply.</li><li>- If the change involves changing the type of signaling on a Voice Grade service, a charge equal to the Voice Grade Circuit Termination rate element nonrecurring charge will apply. The charge will apply per service termination affected.</li></ul>	
--	--

**ACCESS SERVICE**

<p>7. <u>SPECIAL ACCESS SERVICE</u> (Cont'd)</p> <p>7.3 <u>Rate Regulations</u> (Cont'd)</p> <p>7.3.1 <u>Types of Rates and Charges</u> (Cont'd)</p> <p>(C) <u>Nonrecurring Charges</u> (Cont'd)</p> <p>(3) <u>Service Rearrangements</u> (Cont'd)</p> <p>- For all other changes, including the addition of optional feature or function without a separate nonrecurring charge, a charge equal to a Circuit Termination rate element nonrecurring charge will apply. Only one such charge will apply per service, per change.</p> <p>7.3.2 <u>Minimum Periods</u></p> <p>The minimum service period for all services except part-time and occasional Video and Program Audio services is one month. The minimum service period for part-time Television and Program Audio Special Access Services is one day, even though the service will be provided only for the duration of the event specified on the order (e.g., one-half hour, two hours, five hours, etc.).</p> <p>7.3.3 <u>Moves</u></p> <p>A move involves a change in the physical location of either a point of termination at a customer premises or a customer's premises. The charges for the move are dependent on whether the move is to a new location within the same building or to a different building.</p>	
--	--

**ACCESS SERVICE**

<p>7. <u>SPECIAL ACCESS SERVICE</u> (Cont'd)</p> <p>7.3 <u>Rate Regulations</u> (Cont'd)</p> <p>7.3.3 <u>Moves</u> (Cont'd)</p> <p>(A) <u>Moves within the Same Building</u></p> <p>When the move is to a new location within the same building, the charge for the move will be an amount equal to one half of the nonrecurring (i.e., installation) charge for the service termination affected. There will be no change in the minimum period requirements.</p> <p>(B) <u>Moves to a Different Building</u></p> <p>Moves to a different building will be treated as a discontinuance and start of service and all associated nonrecurring charges will apply. New minimum period requirements will be established for the new services. The customer will also remain responsible for satisfying all outstanding minimum period charges for the discontinued service.</p> <p>7.3.4 <u>Mileage Measurement</u></p> <p>The mileage to be used to determine the monthly rate for the Circuit Mileage is calculated on the airline distance between the locations involved, i.e., the serving wire centers associated with two customer designated premises, a serving wire center associated with a customer designated premises, and a Telephone Company hub, or two Telephone Company hubs. The serving wire center associated with a customer</p>	
--	--

**ACCESS SERVICE**

7. SPECIAL ACCESS SERVICE (Cont'd)

7.3 Rate Regulations (Cont'd)

7.3.4 Mileage Measurement (Cont'd)

designated premiss is the serving wire center from which this customer designated premises would normally obtain dial tone.

Mileage is shown in 7.4 following in terms of mileage bands. To determine the rate to be billed, first compute the mileage using the V&H coordinates method, as set forth in Section 14 of this Price List, then find the band into which the computed mileage falls and apply the rate shown for that band. When the calculation results in a fraction of a mile, always round up to the next whole mile before determining the mileage band and applying the rates.

When hubs are involved, mileage is computed and rates applied separately for each of the Circuit Mileage, i.e., customer designated premises serving wire center to hub, hub to hub and/or hub to customer designated premises serving wire center. However, when any service is routed though a hub for purposes other than customer specified bridging or multiplexing (e.g., the Telephone Company chooses to so route for test access purposes), rates will be applied only to the distance calculated between the serving wire centers associated with the customer designated premises.

When more than one Telephone Company is involved in the provision of Special Access Service, the mileage for the Circuit Mileage rate element for each Telephone Company is calculated as set forth in Section 2.4.7(A)(3)(b) preceding.

**ACCESS SERVICE**

7. SPECIAL ACCESS SERVICE (Cont'd)

7.3 Rate Regulations (Cont'd)

7.3.5 Facility Hubs

A customer has the option of ordering Voice Grade facilities or analog or digital high capacity facilities (i.e., Group, Supergroup, Mastergroup, DS1, DS1C, DS2, DS3 or DS4) to a facility hub for channelizing to individual services requiring lower capacity facilities (e.g., Telegraph, Voice, Program Audio, etc.).

Different locations may be designated as hubs for different facility capacities, e.g., multiplexing from digital to digital may occur at one location, while multiplexing from digital to analog may occur at a different location. When placing an Access Order the customer will specify the desired hub. Section 14 of this Price List identifies serving wire centers, hub locations and the type of multiplexing functions available.

Some of the types of multiplexing available include the following:

- from higher to lower bit rate
- from higher to lower bandwidth
- from digital to voice frequency circuits

End to end services may be provided on circuits of these facilities to a hub. The transmission performance for the end to end service provided between the customer designated premises will be that of the lower capacity or bit rate. For example, when a 1.544 Mbps facility is multiplexed to voice

**ACCESS SERVICE**

7. SPECIAL ACCESS SERVICE (Cont'd)

7.3 Rate Regulations (Cont'd)

7.3.5 Facility Hubs (Cont'd)

frequency circuits, the transmission performance of the channelized services will be Voice Grade, not High Capacity.

The Telephone Company will commence billing the monthly rate for the facility to the hub on the date specified by the customer on the Access Order. Individual services utilizing these facilities may be installed coincident with the installation of the facility to the hub or may be ordered and/or installed at a later date, at the option of the customer. The customer will be billed for a Voice Grade or a High Capacity analog or digital Circuit Termination, Circuit Mileage (when applicable), and the multiplexer at the time the facility is installed. Individual service rates (by service type) will apply for a Circuit Termination and additional Circuit Mileage (as required) for each channelized service. These will be billed to the customer as each individual service is installed.

Cascading multiplexing occurs when a high capacity analog or digital circuit is de-multiplexed to provide circuits with a lesser capacity and one of the lesser capacity circuits is further de-multiplexed. For example, a Supergroup facility is de-multiplexed to five Group facilities and then one of the Group facilities is further de-multiplexed to individual Voice Grade circuits.



**ACCESS SERVICE**

7. SPECIAL ACCESS SERVICE (Cont'd)

7.3 Rate Regulations (Cont'd)

7.3.5 Facility Hubs (Cont'd)

When cascading multiplexing is performed, whether in the same or a different hub, a charge for the additional multiplexing unit also applies. When cascading multiplexing is performed at different hubbing locations, Circuit Mileage charges also apply between the hubs.

Although not requiring multiplexing, the Telephone Company will designate certain hubs for Video and Program Audio Services. Full-time service will be provided between a customer designated premises and a hub and billed accordingly at the monthly rates set forth in Section 20 for a Circuit Termination, Optional Features and Functions, and Circuit Mileage, as applicable. The customer may order part-time and occasional Program Audio services as needed between that hub and a second customer designated premises. The rate elements required to provide the part-time or occasional service (i.e., Circuit Termination, Optional Features and Functions and Circuit Mileage, as applicable) will be billed at daily rates for the duration of the service requested.

**ACCESS SERVICE**

7. SPECIAL ACCESS SERVICE (Cont'd)

7.3 Rate Regulations (Cont'd)

7.3.6 Shared Use Analog and Digital High Capacity Services

Shared use occurs when Special Access Service and Switched Access Service are provided over the same Wideband Analog or High Capacity facilities through a common interface. The facility will be ordered, provided and rated as Special Access Service (i.e., Circuit Termination, Circuit Mileage, as appropriate, and Multiplexer). The nonrecurring charge that applies when the shared use facility is installed will be the nonrecurring charge associated with the appropriate Special Access, Wideband Analog or High Capacity Circuit Termination. Individual service (i.e., Switched or Special Access) nonrecurring charges will not apply to the individual circuits of shared use facility. Rating as Special Access will continue until such time as the customer chooses to use a portion of the available capacity for providing Switched Access Service. As each individual circuit is activated for Switched Access Service, the Special Access Circuit Termination and Circuit Mileage rates will be reduced accordingly (e.g., 1/12th for a Group [i.e., WA1] service, 1/24th for a DS1 service, etc.). The customer must place an order for each individual Switched or Special Access Service utilizing the Shared Use Facilities and specify the channel assignment for each such service.

Switched Access Service rates and charges as set forth in Section 20 preceding will apply for each circuit of the shared use facility that is used to provide a Switched Access Service.

**ACCESS SERVICE**

<p>7. <u>SPECIAL ACCESS SERVICE</u> (Cont'd)</p> <p>7.3 <u>Rate Regulations</u> (Cont'd)</p> <p>7.3.6 <u>Shared Use Analog and Digital High Capacity Services</u> (Cont'd)</p> <p>Where Special Access Service is provided utilizing a circuit of the shared use facility to a Hub, Wideband Analog or High Capacity, rates and charges will apply for the facility to the Hub as set forth preceding, and individual service rates and charges will apply from the Hub to the customer designated premises. The rates and charges that will apply to the portion from the Hub to the customer designated premises will be dependent on the specific type of Special Access Service that is provided (e.g., Voice Grade, Telegraph, etc.). The applicable rates and charges will include a Circuit Termination and Circuit Mileage, if applicable. Rates and charges for optional features and functions associated with the service, if any, will apply as set forth in Section 20 following.</p> <p>7.3.7 <u>WATS Circuit</u></p> <p>When a WATS Circuit is provided in conjunction with Feature Group C or Feature Group D Switched Access Service, the Circuit Termination Charge for Voice Grade Services applies to each WATS Circuit. In addition, when the end user's end office is not a WATS serving office, the Circuit Mileage charge for Voice Grade Service applies to extend the WATS Circuit to a WATS serving office. The nonrecurring charge for Circuit Termination shall apply to each WATS Circuit installed.</p>	
--	--

**ACCESS SERVICE**

7. SPECIAL ACCESS SERVICE (Cont'd)

7.4 Rates and Charges

The rates and charges for Metallic Service, Telegraph Grade Service, Voice Grade Service, Program Audio Service, Video Service, Wideband Analog Service, Wideband Data Service, Digital Data Service, and High Capacity Service are as set forth in Section 20.

7.4.1 Individual Case Filing

Rates and charges for Special Access Service provided on an individual case basis are filed following:

7.5 Channel Interface and Network Channel Codes

This section explains the Channel Interface codes and Network Channel codes that the customer must specify when ordering Special Access Service. Included is an example that explains the specific characters of the code, a glossary of Channel Interface codes, impedance levels, Network Channel codes and compatible Channel Interfaces.

Example: If the customer specifies a NT Network Channel Code and a 2DC8-3 Channel Interface at the customer's premises, the following is being requested:

NT	=	Metallic Circuit with a Predefined Technical Specifications Package (1)
2	=	Number of physical wires at customer premises
DC	=	Facility interface for direct current or voltage
8	=	Variable impedance level
3	=	Metallic facilities (DC continuity) for direct current/low frequency control signals or slow speed (30 baud)

**ACCESS SERVICE**

7.	<u>SPECIAL ACCESS SERVICE</u> (Cont'd)	
7.5	<u>Channel Interface and Network Channel Codes</u> (Cont'd)	
7.5.1	<u>Glossary of Channel Interface Codes and Options</u>	
	<u>Service Designator</u> <u>Code</u>	<u>Network Channel</u> <u>Code</u>
	WA1	WJ
	WA1T	WQ
	WA2	WL
	WA2A	WR
	WA3	WN
	WA4	WP
	WD1	WB
	WD2	WE
	WD3	WF
	DA1	XA
	DA2	XB
	DA3	XG
	DA4	XH
	HCO	HS
	HC1	HC
	HC1C	HD
	HC2	HE
	HC3	HF
	HC4	HG

**ACCESS SERVICE**

7.	<u>SPECIAL ACCESS SERVICE</u> (Cont'd)	
7.5	<u>Channel Interface and Network Channel Codes</u> (Cont'd)	
7.5.1	<u>Glossary of Channel Interface Codes and Options</u> (Cont'd)	
	<u>Code Option</u>	<u>Definition</u>
	AB -	accepts 20 Hz ringing signal at customer's point of termination
	AC -	accepts 20 Hz ringing signal at customer's end user's point of termination
	AH -	analog high capacity interface
	- B	60 kHz to 108 kHz (12 channels)
	- C	312 kHz to 552 kHz (60 channels)
	- D	564 kHz to 3084 kHz (600 channels)
	CT -	Centrex Tie Trunk Termination
	DA -	data stream in VF frequency band at customer's end user's point of termination
	DB -	data stream in VF frequency band at customer's point of termination
	- 10	VF for TG1 and TG2
	- 43	VF for 43 Telegraph Carrier type signals, TG1 and TG2
	DC -	direct current or voltage
	- 1	monitoring interface with series RC combination (McCulloh format)
	- 2	Telephone Company energized alarm channel
	- 3	Metallic facilities (DC continuity) for direct current/low frequency control signals or slow speed data (30 baud)
	DD -	DATAPHONE Select-A-Station (and TABS) interface at customer's point of termination

**ACCESS SERVICE**

7. <u>SPECIAL ACCESS SERVICE</u> (Cont'd)		
7.5 <u>Channel Interface and Network Channel Codes</u> (Cont'd)		
7.5.1 <u>Glossary of Channel Interface Codes and Options</u> (Cont'd)		
<u>Code</u>	<u>Option</u>	<u>Definition</u>
DE -		DATAPHONE Select-A-Station (and TABS) interface at the customer's end user's point of termination
DS -		digital hierarchy interface
-	15	1.544 Mbps (DS1) format per PUB 41451 plus D4
-	15E	8-bit PCM encoded in one 64 kbps of the DS1 signal
-	15F	8-bit PCM encoded in two 64 kbps of the DS1 signal
-	15G	8-bit PCM encoded in three 64 kbps of the DS1 signal
-	15H	14/11-bit PCM encoded in six 64 kbps of the DS1 signal
-	15J	1.544 Mbps format per PUB 41451
-	15K	1.544 Mbps format per PUB 41451 plus extended framing format
-	15L	1.544 Mbps (DS1) with SF signaling
-	27	274.176 Mbps (DS4)
-	27L	274.176 Mbps (DS4) with SF signaling
-	31	3.152 Mbps (DS1C)
-	31L	3.152 Mbps (DS1C) with SF signaling
-	44	44.736 Mbps (DS3)
-	44L	44.736 Mbps (DS3) with SF signaling
-	63	6.312 Mbps (DS2)
-	63L	6.312 Mbps (DS2) with SF signaling

**ACCESS SERVICE**

7. <u>SPECIAL ACCESS SERVICE</u> (Cont'd)		
7.5 <u>Channel Interface and Network Channel Codes</u> (Cont'd)		
7.5.1 <u>Glossary of Channel Interface Codes and Options</u> (Cont'd)		
<u>Code</u>	<u>Option</u>	<u>Definition</u>
DU -		digital access interface
-	24	2.4 kbps
-	48	4.8 kbps
-	56	56.0 kbps
-	96	9.6 kbps
-	A	1.544 Mbps format per PUB 41451
-	B	1.544 Mbps format per PUB 41451 plus D4
-	C	1.544 Mbps format per PUB 41451 plus extended framing format
DX -		duplex signaling interface at customer's point of termination
DY -		duplex signaling interface at customer's end user's point of termination
EA -	E	Type I E&M Lead Signaling. Customer at POT or customer's end user at POT originates on E Lead.
EA -	M	Type I E&M Lead Signaling., Customer at POT or customer's end user at POT originates on M Lead.
EB -	E	Type II E&M Lead Signaling. Customer at POT or customers' end user at POT originates on E Lead.
EB -	M	Type II E&M Lead Signaling. Customer at POT or customer's end user at POT originates on M Lead.



**ACCESS SERVICE**

7. <u>SPECIAL ACCESS SERVICE</u> (Cont'd)		
7.5 <u>Channel Interface and Network Channel Codes</u> (Cont'd)		
7.5.1 <u>Glossary of Channel Interface Codes and Options</u> (Cont'd)		
<u>Code</u>	<u>Option</u>	<u>Definition</u>
EC -		Type III E&M Signaling at customer POT
EX -	A	tandem channel unit signaling for loop start or ground start and customer supplies open end (dial tone, etc.) functions.
EX -	B	tandem channel unit signaling for loop start or ground start and customer supplies closed end (dial pulsing, etc.) functions.
GO -		ground start loop signaling - open end function by customer or customer's end user.
GS -		ground start loop signaling - closed end function by customer or customer's end user
IA -		E.I.A. (25 pin RS-232)
LA -		end user loop start loop signaling - Type A OPS registered port open end
LB -		end user loop start loop signaling - Type B OPS registered port open end
LC -		end user loop start loop signaling - Type C OPS registered port open end
LO -		loop start loop signaling - open end function by customer or customer's end user

**ACCESS SERVICE**

7. <u>SPECIAL ACCESS SERVICE</u> (Cont'd)		
7.5 <u>Channel Interface and Network Channel Codes</u> (Cont'd)		
7.5.1 <u>Glossary of Channel Interface Codes and Options</u> (Cont'd)		
	<u>Code</u>	<u>Option</u>
		<u>Definition</u>
LR -		20 Hz automatic ringdown interface at customer with Telephone Company provided PLAR
LS -		loop start loop signaling - closed end function by customer or customer's end user
NO -		no signaling interface, transmission only
PG -		program transmission - no dc signaling
-	1	nominal frequency from 50 to 15000 Hz
-	3	nominal frequency from 200 to 3500 Hz
-	5	nominal frequency from 100 to 5000 Hz
-	8	nominal frequency from 50 to 8000 Hz
PR -		protective relaying <sup>11</sup>
RV -	O	reverse battery signaling, one way operation, originate by customer
-	T	reverse battery signaling, one way operation, terminate function by customer or customer's end user
SF -		single frequency signaling with VF band at either customer POT or customer's end user's POT
TF -		telephotograph interface

<sup>11</sup> Available only for the transmission of audio tone protective relaying signals used in the protection of electric power systems during fault conditions.

**ACCESS SERVICE**

7. <u>SPECIAL ACCESS SERVICE</u> (Cont'd)		
7.5 <u>Channel Interface and Network Channel Codes</u> (Cont'd)		
7.5.1 <u>Glossary of Channel Interface Codes and Options</u> (Cont'd)		
<u>Code</u>	<u>Option</u>	<u>Definition</u>
TT -		telegraph/teletypewriter interface at either customer POT or customer's end user's POT
-	2	20.0 milliamperes
-	3	3.0 milliamperes
-	6	62.5 milliamperes
TV -		television interface
-	1	combined (diplexed) video and one audio signal
-	2	combined (diplexed) video and two audio signals
-	5	video plus one (or two) audio 5 kHz signal(s) or one (or two) two wire
-	15	video plus one (or two) audio 15 kHz signal(s)
WA -		wideband bandwidth interface at customer's end user POT
-	1	limited bandwidth
-	2	nominal passband from 29000 to 44000 Hz

**ACCESS SERVICE**

7. <u>SPECIAL ACCESS SERVICE</u> (Cont'd)		
7.5 <u>Channel Interface and Network Channel Codes</u> (Cont'd)		
7.5.1 <u>Glossary of Channel Interface Codes and Options</u> (Cont'd)		
	<u>Code Option</u>	<u>Definition</u>
	WB -	wideband data interface at customer POT
	- 18S	18.75 kbps, synchronous
	- 19A	up to 19.2 kbps asynchronous
	- 19S	19.2 kbps synchronous
	- 23A	up to 230.4 kbps, asynchronous
	- 23S	230.4 kbps, synchronous
	- 40S	40.8 kbps, synchronous
	- 50A	up to 50.0 kbps, asynchronous
	- 50S	50.0 kbps synchronous
	WC -	wideband data interface at customer's end user POT
	- 18	18.75 kbps, synchronous
	- 19	for 12-wire interface: 19.2 kbps, synchronous for 10-wire interface: up to 19.2 kbps, asynchronous
	- 23	up to 230.4 kbps, asynchronous
	- 23S	230.4 kbps, synchronous
	- 40	40.8 kbps, synchronous
	- 50	for 12-wire interface: 50.0 kbps, synchronous for 10-wire interface: up to 50.0 kbps, asynchronous
	WD -	wideband bandwidth interface at customer POT
	- 1	nominal passband from 300 to 18000 Hz
	- 2	nominal passband from 28000 to 44000 Hz
	- 3	nominal passband from 29000 to 44000 Hz

**ACCESS SERVICE**

7.	<u>SPECIAL ACCESS SERVICE</u> (Cont'd)																				
7.5	<u>Channel Interface and Network Channel Codes</u> (Cont'd)																				
7.5.2	<u>Impedance</u>																				
	The nominal reference impedance with which the channel will be terminated for the purpose of evaluating transmission performance:																				
	<table> <thead> <tr> <th><u>Value (ohms)</u></th> <th><u>Code(s)</u></th> </tr> </thead> <tbody> <tr> <td>110</td> <td>0</td> </tr> <tr> <td>150</td> <td>1</td> </tr> <tr> <td>600</td> <td>2</td> </tr> <tr> <td>900</td> <td>3<sup>12</sup></td> </tr> <tr> <td>135</td> <td>5</td> </tr> <tr> <td>75</td> <td>6</td> </tr> <tr> <td>124</td> <td>7</td> </tr> <tr> <td>Variable</td> <td>8</td> </tr> <tr> <td>100</td> <td>9</td> </tr> </tbody> </table>	<u>Value (ohms)</u>	<u>Code(s)</u>	110	0	150	1	600	2	900	3 <sup>12</sup>	135	5	75	6	124	7	Variable	8	100	9
<u>Value (ohms)</u>	<u>Code(s)</u>																				
110	0																				
150	1																				
600	2																				
900	3 <sup>12</sup>																				
135	5																				
75	6																				
124	7																				
Variable	8																				
100	9																				

---

<sup>12</sup> For those interface codes with a 4-wire transmission path at the customer's POT, rather than a standard 900 ohm impedance the code (3) denotes a customer provided transmission equipment termination. Such terminations were provided to customers in accordance with the F.C.C. Docket No. 20099 Settlement Agreement.

**ACCESS SERVICE**

7.	<u>SPECIAL ACCESS SERVICE</u> (Cont'd)																		
7.5	<u>Channel Interface and Network Channel Codes</u> (Cont'd)																		
7.5.3	<p><u>Digital Hierarchy Channel Interface Codes (4DS)</u></p> <p>Customers selecting the multiplexed four-wire DSX-1 or higher facility interface option at the customer designated premises will be requested to provide subsequent system and channel assignment data. The various digital bit rates in the digital hierarchy employ the channel interface code 4DS8, 4DS9, 4DS0, or 4DS6 plus the speed options indicated below:</p> <table border="1"> <thead> <tr> <th><u>Interface Code and Speed Option</u></th> <th><u>Nominal Bit Rate (Mbps)</u></th> <th><u>Digital Hierarchy Level</u></th> </tr> </thead> <tbody> <tr> <td>4DS8-15</td> <td>1.544</td> <td>DS1</td> </tr> <tr> <td>4DS9-31</td> <td>3.152</td> <td>DS1C</td> </tr> <tr> <td>4DS0-63</td> <td>6.312</td> <td>DS2</td> </tr> <tr> <td>4DS6-44</td> <td>44.736</td> <td>DS3</td> </tr> <tr> <td>4DS6-27</td> <td>274.176</td> <td>DS4</td> </tr> </tbody> </table>	<u>Interface Code and Speed Option</u>	<u>Nominal Bit Rate (Mbps)</u>	<u>Digital Hierarchy Level</u>	4DS8-15	1.544	DS1	4DS9-31	3.152	DS1C	4DS0-63	6.312	DS2	4DS6-44	44.736	DS3	4DS6-27	274.176	DS4
<u>Interface Code and Speed Option</u>	<u>Nominal Bit Rate (Mbps)</u>	<u>Digital Hierarchy Level</u>																	
4DS8-15	1.544	DS1																	
4DS9-31	3.152	DS1C																	
4DS0-63	6.312	DS2																	
4DS6-44	44.736	DS3																	
4DS6-27	274.176	DS4																	
7.5.4	<p><u>Service Designator/Network Channel Code Conversion Table</u></p> <p>The purpose of this table is to show the relationship between the service designator codes (e.g., VGC, MT2, etc.), and the network channel codes that are used for various administrative purposes.</p> <table border="1"> <thead> <tr> <th><u>Service Designator Code</u></th> <th><u>Network Channel Code</u></th> </tr> </thead> <tbody> <tr> <td>MTC</td> <td>MQ</td> </tr> <tr> <td>MT1</td> <td>NT</td> </tr> <tr> <td>MT2</td> <td>NU</td> </tr> <tr> <td>MT3</td> <td>NV</td> </tr> </tbody> </table>	<u>Service Designator Code</u>	<u>Network Channel Code</u>	MTC	MQ	MT1	NT	MT2	NU	MT3	NV								
<u>Service Designator Code</u>	<u>Network Channel Code</u>																		
MTC	MQ																		
MT1	NT																		
MT2	NU																		
MT3	NV																		

**ACCESS SERVICE**

7.	<u>SPECIAL ACCESS SERVICE</u> (Cont'd)	
7.5	<u>Channel Interface and Network Channel Codes</u> (Cont'd)	
7.5.4	<u>Service Designator/Network Channel Code Conversion Table</u> (Cont'd)	
	<u>Service Designator Code</u>	<u>Network Channel Code</u>
	TGC	NQ
	TG1	NW
	TG2	NY
	VGC	LQ
	VG1	LB
	VG2	LC
	VG3	LD
	VG4	LE
	VG5	LF
	VG6	LG
	VG7	LH
	VG8	LJ
	VG9	LK
	VG10	LN
	VG11	LP
	VG12	LR
	APC	PQ
	AP1	PE
	AP2	PF
	AP3	PJ
	AP4	PK
	TVC	TQ
	TV1	TV
	TV2	TW

**ACCESS SERVICE**

7. SPECIAL ACCESS SERVICE (Cont'd)

7.5 Channel Interface and Network Channel Codes (Cont'd)

7.5.5 Compatible Channel Interfaces

The following tables show the channel interface codes (CIs) which are compatible:

(A) Metallic

Compatible CIs

4AH5-B	2DC8-1
4AH5-B	24C8-2
4AH6-C	2DC8-1
4AH6-C	2DC8-2
4AH6-D	2DC8-1
4DS8- <sup>13</sup>	2DC8-1

Compatible CIs

4AH6-D	2DC8-2
2DC8-1	2DC8-2
2DC8-3	2DC8-3
4DS9- <sup>13</sup>	2DC8-1
4DS9- <sup>13</sup>	2DC8-2
4DS8- <sup>13</sup>	2DC8-2

(B) Telegraph Grade

Compatible CIs

4AH5-B	10IA8
4AH5-B	2TT2-2
4AH5-B	4TT2-2
4AH5-B	2TT2-6
4AH5-B	4TT2-6
4AH6-C	10IA8
4AH6-C	2TT2-2
4AH6-C	4TT2-2
4AH6-C	2TT2-6

Compatible CIs

4AH6-D	4TT2-6
2DB2-10	10IA8
2DB2-10	2TT2-2
2DB2-10	4TT2-2
2DB2-43 <sup>14</sup>	10IA8
2DB2-43 <sup>14</sup>	2TT2-2
2DB2-43 <sup>14</sup>	2TT2-6
2DB2-43 <sup>14</sup>	4TT2-2
4DB2-10	10IA8

Compatible CIs

4DB2-43 <sup>14</sup>	4TT2-2
4DS9- <sup>13</sup>	10IA8
4DS9- <sup>13</sup>	2TT2-2
4DS9- <sup>13</sup>	4TT2-2
4DS9- <sup>13</sup>	2TT2-6
4DS9- <sup>13</sup>	4TT2-6
2TT2-2	2TT2-2
2TT2-3	2TT2-2
2TT2-3	4TT2-2

<sup>13</sup> See 7.5.3 preceding for explanation.

<sup>14</sup> Supplemental Channel Assignment information required.



**ACCESS SERVICE**

7.	<u>SPECIAL ACCESS SERVICE</u> (Cont'd)					
7.5	<u>Channel Interface and Network Channel Codes</u> (Cont'd)					
7.5.5	<u>Compatible Channel Interfaces</u> (Cont'd)					
	(B) <u>Telegraph Grade</u> (Cont'd)					
	<u>Compatible CIs</u>		<u>Compatible CIs</u>		<u>Compatible CIs</u>	
	4AH6-C	4TT2-6	4DB2-10	2TT2-2	2TT2-6	2TT2-6
	4AH6-D	10IA8	4DB2-10	4TT2-2	2TT2-6	4TT2-2
	4AH6-D	2TT2-2	4DB2-43 <sup>15</sup>	10IA8	4TT2-2	4TT2-2
	4AH6-D	4TT2-2	4DB2-43 <sup>15</sup>	2TT2-6	4TT2-6	2TT2-6
	4AH6-D	2TT2-6				
	(C) <u>Voice Grade</u>					
	<u>Compatible CIs</u>		<u>Compatible CIs</u>		<u>Compatible CIs</u>	
	4AB2	4AB2				
	4AB2	4AC2	4AH5-B	6DA2	4AH6-D	2DY2
	4AB3	4AC2	4AH5-B	4DA2	4AH6-C	9DY2
	4AB2	2AC2	4AH5-B	2DA2	4AHG-C	9DY3
	4AB3	2AC2			4AH6-C	6DY2
	2AB2	2AC2	4AH6-D	4DE2	4AH6-C	6DY3
	2AB3	2AC2	4AH6-C	4DE2	4AH6-C	4DY2
			4AH5-B	4DE2	4AH6-C	2DY2
	4AB2	4SF2	4AH6-D	2DE2	4AH5-B	9DY2
	4AB3	4SF2	4AH6-C	2DE2	4AH5-B	9DY3

<sup>15</sup> Supplemental Channel Assignment information required.

**ACCESS SERVICE**

7.	<u>SPECIAL ACCESS SERVICE</u> (Cont'd)					
7.5	<u>Channel Interface and Network Channel Codes</u> (Cont'd)					
7.5.5	<u>Compatible Channel Interfaces</u> (Cont'd)					
	(C) <u>Voice Grade</u> (Cont'd)					
	<u>Compatible CIs</u>		<u>Compatible CIs</u>		<u>Compatible CIs</u>	
	4AH6-D	4AC2	4AH5-B	2DE2	4AH5-B	6DY2
	4AH6-D	2AC2	4AH6-D	4DX3	4AH5-B	6DY3
	4AH6-C	4AC2	4AH6-C	4DX3	4AH5-B	4DY2
	4AH6-C	2AC2	4AH5-B	4DX3	4AH5-B	2DY2
	4AH5-B	4AC2	4AH6-D	4DX2	4AH6-D	9EA2
	4AH5-B	2AC2	4AH6-C	4DX2	4AH6-D	9EA3
			4AH5-B	4DX2	4AH6-D	6EA2-E
	4AH6-D	2CT3			4AH6-D	6EA2-M
					4AH6-D	4EA2-E
	4AH6-C	2CT3			4AH6-D	4EA2-M
	4AH5-B	2CT3			4AH6-C	9EA2
	4AH6-D	6DA2			4AJ7-C	9EA3
	4AH6-D	4DA2	4AH6-D	9DY2	4AH6-C	6EA2-E
	4AH6-D	2DA2	4AH6-D	9DY3		
	4AH6-C	6DA2	4AH6-D	6DY2		
	4AH6-C	4DA2	4AH6-D	6DY3		
	4AH6-C	2DA2	4AH6-D	4DY2		

**ACCESS SERVICE**

7.	<u>SPECIAL ACCESS SERVICE</u> (Cont'd)					
7.5	<u>Channel Interface and Network Channel Codes</u> (Cont'd)					
7.5.5	<u>Compatible Channel Interfaces</u> (Cont'd)					
	(C) <u>Voice Grade</u> (Cont'd)					
	<u>Compatible CIs</u>		<u>Compatible CIs</u>		<u>Compatible CIs</u>	
	4AH6-C	6EA2-M	4AH6-D	6GS2	4AH6-D	2LO2
	4AH6-C	4EA2-E	4AH6-D	4GS2	4AH6-C	2LO3
	4AH6-C	4EA2-M	4AH6-D	2GS3	4AH6-C	2LO2
	4AH5-B	9EA2	4AH6-D	2GS2	4AH5-B	2LO3
	4AH5-B	9EA3	4AH6-C	6GS2	4AH5-B	2LO2
	4AH5-B	6EA2-E	4AH6-C	4GS2		
	4AH5-B	6EA2-M	4AH6-C	2GS3	4AH6-B	4LR2
	4AH5-B	4EA2-E	4AH6-C	2GS2	4AH6-D	2LR2
	4AH5-B	4EA2-M	4AH5-B	6GS2	4AH6-C	4LR2
			4AH5-B	4GS2	4AH6-C	2LR2
	4AH6-D	8EB2-E	4AH5-B	2GS3	4AH5-B	4LR2
	4AH6-D	8EB2-M	4AH5-B	2GS2	4AH5-B	2LR2
	4AH6-D	6EB2-E				
	4AH6-D	6EB2-M	4AH6-D	2LA2	4AH6-D	6LS2
	4AH6-C	8EB2-E	4AH6-C	2LA2	4AH6-D	4LS2
	4AH6-C	8EB2-M	4AH5-B	2LA2	4AH6-D	2LS2
	4AH6-C	6EB2-E			4AH6-D	2LS3
	4AH6-C	6EB2-M	4AH6-D	2LB2	4AH6-C	6LS2
	4AH5-B	8EB2-E	4AHG-C	2LB2	4AH6-C	4LS2
	4AH5-B	8EB2-M	4AH5-B	2LB2	4AH6-C	2LS2
	4AH5-B	6EB2-E			4AH6-C	2LS3
	4AH5-B	6EB2-M	4AH6-D	2LC2	4AH5-B	6LS2

**ACCESS SERVICE**

7.	<u>SPECIAL ACCESS SERVICE</u> (Cont'd)					
7.5	<u>Channel Interface and Network Channel Codes</u> (Cont'd)					
7.5.5	<u>Compatible Channel Interfaces</u> (Cont'd)					
	(C) <u>Voice Grade</u> (Cont'd)					
	<u>Compatible CIs</u>		<u>Compatible CIs</u>		<u>Compatible CIs</u>	
	4AH6-D	2GO2	4AH6-C	2LC2	4AH5-B	4LS2
	4AH6-D	2GO3	4AH5-B	2LC2	4AH5-B	2LS2
	4AH6-C	2GO2				
	4AH6-C	2GO2			4AH5-B	2LS3
	4AH5-B	2GO2	4AH6-D	2LO3		
	4AH5-B	2GO3				
	4AH6-D	4NO2	4AH6-D	4TF2	2CT3	8EB2-E
	4AH6-D	2NO2	4AJ7-D	2TF2	2CT3	8EB2-M
	4AH6-C	4NO2	4AH6-C	4TF2		
	4AH6-C	2NO2	4AH6-C	2TF2	2CT3	6482-E
	4AH5-B	4NO2	4AH5-B	4TF2	2CT3	6EB2-M
	4AH5-B	2NO2	4AH5-B	2TF2		
					2CT3	6EB3-E
			2CT3	4DS9- <sup>16</sup>		
					2CT3	8EC2
			2CT3	6DX2		
			2CT3	4DX2	2CT3	4SF2
			2CTS	4DX3	2CT3	4SF3
	4AH6-D	4PR2	2CT3	9DY3	6DA2	6DA2
	4AH6-D	2PR2	2CT3	6DY3	6DA2	4DA2

<sup>16</sup> See 7.5.3 preceding for explanation.

**ACCESS SERVICE**

7.	<u>SPECIAL ACCESS SERVICE</u> (Cont'd)					
7.5	<u>Channel Interface and Network Channel Codes</u> (Cont'd)					
7.5.5	<u>Compatible Channel Interfaces</u> (Cont'd)					
	(C) <u>Voice Grade</u> (Cont'd)					
	<u>Compatible CIs</u>		<u>Compatible CIs</u>		<u>Compatible CIs</u>	
	4AH6-C	4PR2	2CT3	9DT2	4DA2	4DA2
	4AH6-C	2PR2	2CT3	6DY2		
	4AH5-B	4PR2	2CT3	4DY3	4DB2	6DA2
	4AH5-B	2PR2	2CT3	2DY2	4DB2	4DA2
					4DB2	2DA2
	4AH6-D	4RV2-T	2CT3	9EA3	2DB3	2DA2
	4AH6-D	2RV2-T	2CT3	9EA2	2DB2	2DA2
	4AH6-C	4RV2-T	2CT3	6EA2-E	4DB2	4DB2
	4AH6-C	2RV2-T	2CT3	6EA2-M	4DB2	4NO2
	4AH5-B	4TV2-T	2CT3	4EA2-E	4DB2	2NO2
	4AH5-B	2RV2-T	2CT3	4EA2-M	2DB2	2NO2
	4AH6-D	4SF2			4DB2	4PR2
	4AH6-C	4SF2			4DB2	2PR2
	4AH5-B	4SF2			2DB2	2PR2
	4AH6-D	4SF3				
	4AH6-C	4SF3				
	4AH5-B	4SF3				

**ACCESS SERVICE**

7. <u>SPECIAL ACCESS SERVICE</u> (Cont'd)				
7.5 <u>Channel Interface and Network Channel Codes</u> (Cont'd)				
7.5.5 <u>Compatible Channel Interfaces</u> (Cont'd)				
(C) <u>Voice Grade</u> (Cont'd)				
<u>Compatible CIs</u>		<u>Compatible CIs</u>		
4DD3	4DE2	4DS8-17	9DY3	
4DD3	2DE2	4DS8-17	9DY2	
		4DS8-17	6DY3	
4DS8-17	4AC2	4DS8-17	6DY2	
4DS8-17	2AC2	4DS8-17	4DY2	
		4DS8-17	2DY2	
4DS8-17	6DA2			
4DS8-17	4DA2			
4DS8-17	2DA2	4DS8-17	9EA2	
		4DS8-17	9EA3	
4DS8-17	4DE2	4DS8-17	6EA2-E	
4DS8-17	EDE2	4DS8-17	6EA2-M	
		4DS8-17	4EA2-E	
4DS8-17	4DX3	4DS8-17	4EA2-E	
4DS8-17	4DX2			

**ACCESS SERVICE**

7.	<u>SPECIAL ACCESS SERVICE (Cont'd)</u>					
7.5	<u>Channel Interface and Network Channel Codes (Cont'd)</u>					
7.5.5	<u>Compatible Channel Interfaces (Cont'd)</u>					
	(C) <u>Voice Grade (Cont'd)</u>					
	<u>Compatible CIs</u>		<u>Compatible CIs</u>		<u>Compatible CIs</u>	
	4DS8- <sup>18</sup>	8EB2-E	4DS8- <sup>18</sup>	4NO2	4DX3	9DY2
	4DS8- <sup>18</sup>	8EB2-M	4DS8- <sup>18</sup>	2NO2	4DX2	6DY3
	4DS8- <sup>18</sup>	6EB2-E			4DX3	6DY3
	4DS8- <sup>18</sup>	6EB2-M	4DS8- <sup>18</sup>	4PR2	4DX2	6DY2
			4DS8- <sup>18</sup>	2PR2	4DX3	6DY2
	4DS8- <sup>18</sup>	2GO2			4DX2	4DY2
	4DS8- <sup>18</sup>	2GO3	4DS8- <sup>18</sup>	4RV2-T	4DX3	4DY2
	4DS8- <sup>18</sup>	6GS2	4DS8- <sup>18</sup>	2RV2-T	4DX2	2DY2
	4DS8- <sup>18</sup>	4GS2			4DX3	2DY2
	4DS8- <sup>18</sup>	2GS2	4DS8- <sup>18</sup>	4SF2		
	4DS8- <sup>18</sup>	2GS3	4DS8- <sup>18</sup>	4SF3	6DX2	9EA3
					6DX2	9EA2
	4DS8- <sup>18</sup>	2LA2	4DS8- <sup>18</sup>	4TF2	6DX2	6EA2-E
			4DS8- <sup>18</sup>	2TF2	6DX2	6EA2-M
	4DS8- <sup>18</sup>	2LB2			6DX2	4EA2-E
			4DX2	4DX2	6DX2	4EA2-M
	8DS8- <sup>18</sup>	2LC2	4DX3	4DX2	4DX2	9EA2
			4DX3	4DX3	4DX3	9EA2
	4DS8- <sup>18</sup>	2LO2			4DX2	9EA3
	4DS8- <sup>18</sup>	2LO3	6DX2	9DY3	4DX3	9EA3
			6DX2	9DY2	4DX2	6EA2-E
	4DS8- <sup>18</sup>	4LR2	6DX2	6DY3	4DX3	6EA2-E
	4DS8- <sup>18</sup>	2LR2	6DX2	6DY2	4DX2	6EA2-M

<sup>18</sup> See 7.5.3 preceding for explanation.

**ACCESS SERVICE**

7. <u>SPECIAL ACCESS SERVICE</u> (Cont'd)					
7.5 <u>Channel Interface and Network Channel Codes</u> (Cont'd)					
7.5.5 <u>Compatible Channel Interfaces</u> (Cont'd)					
(C) <u>Voice Grade</u> (Cont'd)					
<u>Compatible CIs</u>		<u>Compatible CIs</u>		<u>Compatible CIs</u>	
4DS8- <sup>19</sup>	6LS2	6DX2	4DY2	4DX3	6EA2-M
4DS8- <sup>19</sup>	4LS2	6DX2	2DY2	4DX2	4EA2-E
4DS8- <sup>19</sup>	2LS2	4DX2	9DY3	4DX3	4EA2-E
4DS8- <sup>19</sup>	2LS3	4DX3	9DY3	4DX2	4EA2-M
6DX2	8EB2-E	4DX2	9DY2	4DX3	4EA2-M
6DX2	8EB2-M	4DX2	6LS2	9DY2	6DY3
6DX2	8EB2-M	4DX3	6LS2	9DY3	4DY2
6DX2	6EB2-E	4DX3	4LS2	9DY2	4DY2
6DX2	6EB2-M	4DX2	4LS2	9DY2	2DY2
4DX2	8EB2-E	4DX3	2LS3	9DY3	2DY2
4DX2	8EB2-M	4DX2	2LS3	6DY3	6DY3
4DX3	8EB2-E	4DX3	2LS2	6DY3	6DY2
4DX3	8EB2-M	4DX2	2LS2	6DY2	6DY2
4DX2	6EB2-E	4DX3	2LS2	6DY3	4DY2
4DX2	6EB2-M	2DX3	2LS3	6DY3	2DY2
4DX3	6E82-E	2DX3		6DY2	4DY2
4DX3	6EB2-M	4DX3	4RV2-T	6DY2	2DY2
		4DX2	4RV2-T	4DY2	2DY2
4DX2	2LA2	4DX3	2RV2-T	4DY2	4DY2
4DX3	2LA2	4DX2	2RV2-T		
2DX3	2LA2			6EA2-E	4AC2
		6DX2	4SF2	6EA2-M	4AC2

<sup>19</sup> See 7.5.3 preceding for explanation.



**ACCESS SERVICE**

7.	<u>SPECIAL ACCESS SERVICE</u> (Cont'd)					
7.5	<u>Channel Interface and Network Channel Codes</u> (Cont'd)					
7.5.5	<u>Compatible Channel Interfaces</u> (Cont'd)					
	(C) <u>Voice Grade</u> (Cont'd)					
	<u>Compatible CIs</u>		<u>Compatible CIs</u>		<u>Compatible CIs</u>	
	4DX2	2LB2	4DX2	4SF2	6EA2-E	2AC2
	4DX3	2LB2	4DX3	4SF2	6EA2-M	2AC2
	2DX3	2LB2	4DX2	4SF3		
			4DX3	4SF3	9EA2	9DY3
	4DX2	2LC2			9EA2	9DY2
	4DX3	2LC2	9DY3	9DY3	9EA2	6DY3
	2DX3	2LC2	9DY3	9DY2	9EA2	6DY2
			9DY2	9DY2	9EA2	4DY2
	4DX2	2LO3	9DY3	6DY3	9EA2	2DY2
	4DX3	2LO3	9DY3	6DY2	9EA3	9DY3
	2DX3	2LO3	9DY2	6DY2		
	9EA3	9DY2	4EA2-M	9DY2	4EA3-E	9EA2
	9EA3	6DY3	4EA2-M	6DY3	4EA3-E	9EA3
	9EA3	6DY2	4EA2-M	6DY2	4EA2-M	4EA2-M
	9EA3	4DY2	4EA2-M	4DY2		
	9EA3	2DY2	4EA2-M	2DY2	9EA2	8EB2-E
	6EA2-E	9DY3			9EA2	8EB2-M
	6EA2-E	9DY2	9EA2	9EA2	9EA2	6EB2-E
	6EA2-E	6DY3	9EA2	9EA3	9EA2	6EB2-M
	6EA2-E	6DY2	9EA2	6EA2-E	9EA3	8EB2-E

**ACCESS SERVICE**

7.	<u>SPECIAL ACCESS SERVICE</u> (Cont'd)					
7.5	<u>Channel Interface and Network Channel Codes</u> (Cont'd)					
7.5.5	<u>Compatible Channel Interfaces</u> (Cont'd)					
	(C) <u>Voice Grade</u> (Cont'd)					
	<u>Compatible CIs</u>		<u>Compatible CIs</u>		<u>Compatible CIs</u>	
	6EA2-E	4DY2	9EA2	6EA2-M	9EA3	8E82-M
	6EA2-E	2DY2	9EA2	4EA2-E	9EA3	6EB2-E
	6EA2-M	9DY3	9EA2	4EA2-M	9EA3	6EB2-M
	6EA2-M	9DY2	9EA3	9EA3	6EA2-E	8EB2-E
	6EA2-M	6DY3	9EA3	6EA2-E	6EA2-E	8EB2-M
	6EA2-M	6DY2	9EA3	6EA2-M	6EA2-E	6EB2-E
	6EA2-M	4DY2	9EA3	4EA2-E	6EA2-E	6EB2-M
	6EA2-M	2DY2	9EA3	4EA2-M	6EA2-M	8EB2-E
	4EA2-E	9DY3	6EA2-E	6EA2-E	6EA2-M	8E82-M
	4EA2-E	9DY2	6EA2-E	6EA2-M	6EA2-M	6EB2-E
	4EA3-E	9DY3	6EA2-M	6EA2-M	6EA2-M	6EB2-M
	4EA3-E	9DY2	6EA2-E	4EA2-E	4EA2-E	8EB2-E
	4EA3-E	6DY3	6EA2-E	4EA2-M	4EA2-E	8EB2-M
	4EA3-E	6DY2	6EA2-M	4EA2-E	4EA3-E	8EB2-E
	4EA3-E	4DY2	6EA2-M	4EA2-M	4EA3-E	8E82-M
	4EA3-E	2DY2	4EA2-E	4EA2-E	4EA2-E	6EB2-E
	4EA2-E	6DY3	4EA3-E	6EA2-E	4EA2-E	6EB2-M
	4EA2-E	6DY2	4EA3-E	6EA2-M	4EA3-E	6EB2-E
	4EA2-E	4DY2	4EA3-E	4EA2-E	4EA3-E	6EB2-M
	4EA2-E	2DY2	4EA3-E	4EA2-M	4EA2-M	8EB2-E

**ACCESS SERVICE**

7.	<u>SPECIAL ACCESS SERVICE</u> (Cont'd)					
7.5	<u>Channel Interface and Network Channel Codes</u> (Cont'd)					
7.5.5	<u>Compatible Channel Interfaces</u> (Cont'd)					
	(C) <u>Voice Grade</u> (Cont'd)					
	<u>Compatible CIs</u>		<u>Compatible CIs</u>		<u>Compatible CIs</u>	
	4EA2-M	9DY3	4EA2-E	4EA2-M	6EB3-E	9DY2
	4EA2-M	8EB2-M	9EA3	43F2	6EB3-E	9DY3
	4EA2-M	6EB2-E	9EA2	4SF2	6EB2-E	6DY2
	4EA2-M	6EB2-M	6EA2-E	4SF3	6EB3-E	6DY2
			6EA2-M	4SF3	6EB2-E	6DY3
	6EA2-E	2LA2	6EA2-E	4SF2	6EB3-E	6DY3
	6EA2-M	2LA2	6EA2-M	4SF2	6EB2-E	6DY3
			4EA3-E	4SF2	6EB2-E	4DY2
	6EA2-E	2LB2	4EA2-E	4SF2	6EB3-E	2DY2
	6EA2-M	2LB2	4EA2-M	4SF2	6EB3-E	4DY2
					6EB2-M	9DY2
	6EA2-E	2LC2	8EB2-E	4AC2	6EB2-M	9DY3
	6EA2-M	2LC2	8EB2-M	4AC2	6EB2-M	6DY2
			8EB2-E	2AC2	6EB2-M	6DY3
	6EA2-E	2LO3	8EB2-M	2AC2	6EB2-M	4DY2
	6EA2-M	2LO3			6EB2-E	2DY2
			8EB2-E	9DY3	6EB2-M	2DY2
	6EA2-E	6LS2	8EB2-E	9DY2		
	6EA2-M	6LS2	8EB2-E	6DY3	6EB3-E	9EA2
	6EA2-E	4LS2	8EB2-E	6DY2	6EB3-E	9EA3
	6EA2-M	4LS2	8EB2-E	4DY2	6EB3-E	6EA2-E

**ACCESS SERVICE**

7.	<u>SPECIAL ACCESS SERVICE</u> (Cont'd)					
7.5	<u>Channel Interface and Network Channel Codes</u> (Cont'd)					
7.5.5	<u>Compatible Channel Interfaces</u> (Cont'd)					
	(C) <u>Voice Grade</u> (Cont'd)					
	<u>Compatible CIs</u>		<u>Compatible CIs</u>		<u>Compatible CIs</u>	
	6EA2-E	2LS2	8EB2-E	2DY2	6EB3-E	6EA2-M
	6EA2-M	2LS2	8EB2-M	9DY3	6EB3-E	4EA2-E
	6EA2-E	2LS3	8EB2-M	9DY2	6EB3-E	4EA2-M
	6EA2-M	2LS3	8EB2-M	6DY3		
			8EB2-M	6DY2	8EB2-E	8EB2-E
	6EA2-E	4RV2-T	8EB2-M	4DY2	8EB2-E	8EB2-M
	6EA2-M	4RV2-T	8EB2-M	2DY2	8EB2-M	8EB2-M
	6EA2-E	2RV2-T	6EB2-E	9DY2	8EB2-E	6EB2-E
	6EA2-M	2RV2-T	6EB2-E	9DY3	8EB2-E	6EB2-M
	8EB2-M	6EB2-E	8EB2-E	4RV2-T	8EC2	8EB2-M
	8EB2-M	6EB2-M	8EB2-M	4RV2-T	8EC2	6EB2-E
	6EB2-E	6EB2-E	8EB2-E	2RV2-T	8EC2	6EB2-M
	6EB2-E	6EB2-M	8EB2-M	2RV2-T		
	6EB3-E	8EB2-E			8EC2	4SF2
	6EB3-E	8EB2-M	8EB2-E	4SF2	6EX2-B	2GO3
	6EB2-M	6EB2-M	8EB2-M	4SF2	6EX2-A	6GS2
			8EB2-E	4SF3	6EX2-A	4GS2
	8EB2-E	2LA2	8EB2-M	4SF3	6EX2-A	2GS2
	8EB2-M	2LA2	6EB3-E	4SF2	6EX2-A	2GS3
			6EB2-E	4SF2		
	8EB2-E	2LB2	6EB2-M	4SF2	6EX2-B	2LA2
	8EB2-M	2LB2				

**ACCESS SERVICE**

7.	<u>SPECIAL ACCESS SERVICE</u> (Cont'd)					
7.5	<u>Channel Interface and Network Channel Codes</u> (Cont'd)					
7.5.5	<u>Compatible Channel Interfaces</u> (Cont'd)					
	(C) <u>Voice Grade</u> (Cont'd)					
	<u>Compatible CIs</u>		<u>Compatible CIs</u>		<u>Compatible CIs</u>	
	8EB2-E	2LC2	8EC2	9DY2	6EX2-B	2LB2
	8EB2-M	2LC2	8EC2	9DY3		
		8EC2	8EC2	6DY2	6EX2-B	2LC2
			6DY3			
	8EB2-E	2LO3	8EC2	4DY2	6EX2-B	2LO2
	8EB2-M	2LO3	8EC2	2DY2	6EX2-B	2LO3
	8EB2-E	6LS2	8EC2	9EA2	6EX2-B	4LR2
	8EB2-M	6LS2	8EC2	9EA3	6EX2-B	2LR2
	8EB2-E	4LS2	8EC2	6EA2-E		
	8EB2-M	4LS2	8EC2	6EA2-M	6EX2-A	6LS2
	8EB2-E	2LS2	8EC2	4EA2-E	6EX2-A	4LS2
	8EB2-M	2LS2	8EC2	4EA2-M	6EX2-A	2LS2
	8EB2-E	2LS3			6EX2-A	2LS3
	8EB2-M	2LS3	8EC2	8EB2-E		
	6EX2-A	4SF2	6LO2	6LS2	4LR2	4SF2
	6EX2-B	4SF2	6LO2	4LS2	4LR3	4SF2
			6LO2	2LS2		
	6GO2	6GS2	6LO2	2LS3	6LS2	2LA2
	6GO2	4GS2	4LO2	6LS2	4LS2	2LA2
	6GO2	2GS2	4LO2	4LS2	4LS3	2LA2
	6GO2	2GS3	4LO3	6LS2	2LS2	2LA2
	4GO2	6GS2	4LO3	4LS2	2LS3	2LA2
	4GO3	6GS2	4LO3	2LS3		

**ACCESS SERVICE**

7.	<u>SPECIAL ACCESS SERVICE</u> (Cont'd)					
7.5	<u>Channel Interface and Network Channel Codes</u> (Cont'd)					
7.5.5	<u>Compatible Channel Interfaces</u> (Cont'd)					
	(C) <u>Voice Grade</u> (Cont'd)					
	<u>Compatible CIs</u>		<u>Compatible CIs</u>		<u>Compatible CIs</u>	
	4GO2	4GS2	4LO3	2LS2	6LS2	2LB2
	4GO3	4GS2	4LO2	2LS2	4LS2	2LB2
	4GO2	2GS2	4LO2	2LS3	4LS3	2LB2
	4GO2	2GS3	2LO3	2LS3	2LS2	2LB2
	4GO3	2GS2	2LO3	2LS2	2LS3	2LB2
	4GO3	2GS3	2LO2	2LS2		
	2GO2	2GS2	2LO2	2LS3	6LS2	2LC2
	2GO3	2GS2			4LS2	2LC2
	2GO2	2GS3	6LO2	4SF2	4LS3	2LC2
	2GO3	2GS3	4LO2	4SF2	2LS2	2LC2
			4LO3	4SF2	2LS3	2LC2
	6GO2	4SF2				
	4GO2	4SF2	4LR2	4LR1	6LS2	2LO3
	4GO3	4SF2	4LR3	2LR2	6LS2	2LO2
			4LR2	4LR2	4LS2	2LO2
	6GS2	2GO2	4LR2	2LR2	4LS2	2LO3
	4GS2	2GO2	2LR2	2LR2	4LS3	2LO2
	4GS3	2GO2	2LR3	2LR2	4LS3	2LO3
	4GS2	2GO3				

**ACCESS SERVICE**

7.	<u>SPECIAL ACCESS SERVICE</u> (Cont'd)					
7.5	<u>Channel Interface and Network Channel Codes</u> (Cont'd)					
7.5.5	<u>Compatible Channel Interfaces</u> (Cont'd)					
	(C) <u>Voice Grade</u> (Cont'd)					
	<u>Compatible CIs</u>		<u>Compatible CIs</u>		<u>Compatible CIs</u>	
	6LS2	4SF2	4SF3	9DY2	4SF3	2LA2
	4LS3	4SF2	4SF2	9DY3		
			4SF3	6DY3	4SF2	2LB2
	4NO2	6DA2			4SF3	2LB2
	4NO2	4DA2	4SF2	6DY3		
	4NO2	2DA2	4SF3	6DY2	4SF2	2LC2
	2NO2	2DA2	4SF2	4DY2	4SF3	2LC2
			4SF3	4DY2		
	4NO2	4DE2	4SF3	2DY2	4SF2	2LO3
	4NO2	2DE2	4SF2	2DY2	4SF3	2LO3
	4NO2	4NO2	4SF3	9EA2	4SF2	2LR2
	4NO2	2NO2	4SF3	9EA3	4SF3	4LR2
	2NO2	2NO2	4SF3	4EA2-E	4SF3	2LR2
	2NO3	2NO2	4SF3	4EA2-M		
					4SF3	6LS2
	2NO3	2PR2	4SF3	6EB2-E	4SF2	4LS2
			4SF3	6EB2-M	4SF3	4LS2
	4RV2-0	4RV2-T	4SF3	2GO3	4SF2	2LS2
	4RV2-0	2RV2-T	4SF3	6GS2	4SF2	2LS3
	4RV2-0	2RV2-T	4SF2	6GS2	4SF3	2LS2
			4SF2	6GS2	4SF3	2LS3
	4RV2-0	4SF2	4SF3	4GS2		

**ACCESS SERVICE**

7.	<u>SPECIAL ACCESS SERVICE</u> (Cont'd)					
7.5	<u>Channel Interface and Network Channel Codes</u> (Cont'd)					
7.5.5	<u>Compatible Channel Interfaces</u> (Cont'd)					
	(C) <u>Voice Grade</u> (Cont'd)					
	<u>Compatible CIs</u>		<u>Compatible CIs</u>		<u>Compatible CIs</u>	
	4SF2	4AC2	4SF2	2GS2	4SF3	4RV2-T
	4SF2	2AC2	4SF2	2GS3	4SF2	4RV2-T
			4SF3	2GS2	4SF2	2RV2-T
			4SF3	2GS3	4SF3	2RV2-T
	4SF3	9DY3				
	4SF2	9DY2	4SF2	2LA2	4SF3	4SF3
	4SF3	4SF2				
	4SF2	4SF2				
	4TF2	4TF2				
	4TF2	2TF2				
	2TF3	2TF2				



**ACCESS SERVICE**

7.	<u>SPECIAL ACCESS SERVICE</u> (Cont'd)					
7.5	<u>Channel Interface and Network Channel Codes</u> (Cont'd)					
7.5.5	<u>Compatible Channel Interfaces</u> (Cont'd)					
	(D) <u>Program Audio</u>					
	<u>Compatible CIs</u>		<u>Compatible CIs</u>		<u>Compatible CIs</u>	
	4AH5-B	2PG1-3	4AH6-D	2PG1-3	4DS8-15F	2PG2-5
	4AH5-B	2PG1-5	4AH6-D	2PG1-5	4DS8-15G	2PG2-8
	4AH5-B	2PG1-8	4AH6-D	2PG1-8	4DS8-15H	2PG2-1
	4AH5-B	2PG2-3	4AH6-D	2PG2-3	2PG2-1	2PG1-1
	4AH5-B	2PG2-5	4AH6-D	2PG2-5	2PG2-1	2PG2-1
	4AH5-B	2PG2-8	4AH6-D	2PG2-8	2PG2-3	2PG1-3
	4AH6-C	2PG1-3	4DS8-15E	2PG1-3	2PG2-3	2PG2-3
	4AH6-C	2PG1-5	4DS8-15F	2PG1-5	2PG2-5	2PG1-5
	4AH6-C	2PG1-8	4DS8-15G	2PG1-8	2PG2-5	2PG2-5
	4AH6-C	2PG2-3	4DS8-15H	2PG1-1	2PG2-8	2PG1-8
	8AH6-C	2PG2-5	4DS8-15E	2PG2-3	2PG2-8	2PG2-8
	(E) <u>Video</u>					
	<u>Compatible CIs</u>			<u>Compatible CIs</u>		
	2TV6-1	4TV6-15	4TV7-5	4TV6-5		
		4TV7-15		4TV7-5		
	2TV6-2	6TV6-15	4TV7-15	4TV6-15		
		6TV7-15		4TV7-15		
	2TV7-1	4TV6-15	6TV6-5	6TV6-5		
		4TV7-15		6TV7-5		
	2TV7-2	6TV6-15	6TV6-15	6TV6-15		
		6TV7-15		6TV7-15		

**ACCESS SERVICE**

7.	<u>SPECIAL ACCESS SERVICE</u> (Cont'd)					
7.5	<u>Channel Interface and Network Channel Codes</u> (Cont'd)					
7.5.5	<u>Compatible Channel Interfaces</u> (Cont'd)					
	(E) <u>Video</u> (Cont'd)					
	<u>Compatible CIs</u>			<u>Compatible CIs</u>		
	4TV6-5	4TV6-5		6TV7-5	6TV6-5	
		4TV7-5			6TV7-5	
	4TV6-15	4TV6-15		6TV7-15	6TV6-15	
		4TV7-15			6TV7-15	
	(F) <u>Wideband Analog</u>					
	<u>Compatible CIs</u>		<u>Compatible CIs</u>		<u>Compatible CIs</u>	
	4AH5-B	4AH5-B			4WD5-1	4WA5-1
	4AH6-C	4AH5-B			4WD5-2	4WA5-1
	4AH6-C	4AH6-C	4AH6-D	4AH6-D	4WD5-3	4WA5-2
	4AH6-D	4AH5-B	4AH5-B	4DS8-15		
	4AH6-D	4AH6-C	4AH5-B	4DU8-A,B, or C		
			4AH6-C	4DU8-A,B, or C		
			4AH6-D	4DU8-A,B, or C		

**ACCESS SERVICE**

7.	<u>SPECIAL ACCESS SERVICE</u> (Cont'd)					
7.5	<u>Channel Interface and Network Channel Codes</u> (Cont'd)					
7.5.5	<u>Compatible Channel Interfaces</u> (Cont'd)					
	(G) <u>Wideband Data</u>					
	<u>Compatible CIs</u>		<u>Compatible CIs</u>		<u>Compatible CIs</u>	
	8WB5-18S	12WC6-18	8WB5-23A	10WC6-23	8WB5-50A	10WC6-50
	8WB5-19A	10WC6-19	8WB5-23S	12W6-23S	8WB5-50S	12WB6-50
	8WB5-19S	12WC6-19	8WB5-40S	12W6-40		
	(H) <u>Digital Data</u>					
	<u>Compatible CIs</u>		<u>Compatible CIs</u>		<u>Compatible CIs</u>	
			4DS8-15	6DU5-48		
	4DS8-15	4DU8-15 <sup>20</sup>	4DS8-15	6DU5-56	4DU5-96	4DU5-96
	4DS8-15	4DU8-24	4DS8-15	6DU5-96	6DU5-24	6DU5-24
	4DS8-15	4DU8-48	4DU5-24	4DU5-24	6DU5-48	6DU5-48
	4DS8-15	4DU8-56	4DU5-48	4DU5-48	6DU5-56	6DU5-56
	4DS8-15	6DU5-96	4DU8-56	4DU5-56	6DU5-96	6DU5-96
	4DS8-15	6DU5-24				

<sup>20</sup> Available only as a cross connect of two digital circuits at appropriate digital speeds at a Telephone Company hub.

**ACCESS SERVICE**

7.	<u>SPECIAL ACCESS SERVICE</u> (Cont'd)			
7.5	<u>Channel Interface and Network Channel Codes</u> (Cont'd)			
7.5.5	<u>Compatible Channel Interfaces</u> (Cont'd)			
	(l) <u>High Capacity</u>			
	<u>Compatible CIs</u> <u>Compatible CIs</u>			
	4DSO-63	4DSO-63	4DS8-15	4DU8-8
	4DS0-63	6DU8-A,B, or C	4DS8-15J	6DU8-A
	4DS0-63	4DU8-A,B, or C	4DS8-15J	4DU8-A
	4DS6-27	4DS6-27	4DS8-15K	6DU8-B
	4DS6-27	6DU8-A,B, or C	4DS8-15K	4DU8-B
	4DS6-27	4DU8-A,B, or C	4DS8-15K	6DU8-C
	4DS6-44	4DS6-44	4DS9-31	4D78-C
	4DS6-44	6DU8-A,B, or C	4DS9-31	4DS9-31
	4DS6-44	4DU8-A,B or C	4DS9-31	6DU8-A,B, or C
	4DS8-15	4DS8-15 <sup>21</sup>	4DS9-31	4DU8-A,B or C
	4DS8-15	6DU8-B	4DU9-A,B or C	4DU8-A,B, or C

<sup>21</sup> Available only as a cross connect of two individual circuits of 1.544 Mbps facilities at a Telephone Company hub.

**ACCESS SERVICE**

8. SPECIAL FEDERAL GOVERNMENT ACCESS SERVICES

8.1 General

This section covers Special Access Services that are provided to a customer for use only by agencies or branches of the Federal Government and other users authorized by the Federal Government. Services provided to state emergency operations centers are included. These services provide for command and control communications, including communications for national security, emergency preparedness and presidential requirements. They are required to assure continuity of Government in emergency and crisis situations and to provide for national security.

Services for command and control communications and for national security and emergency preparedness sometimes require short notice and short duration service provisions. These provisions are especially needed to meet presidential requirements or in response to natural, man-made or declared emergencies. Requirements of this type cannot be forecasted and are usually needed for a relatively short period. The provision of service under these conditions may require the availability of facilities, such as portable microwave equipment, which are provided on a temporary basis by the Telephone Company or customer.

8.2 Emergency Conditions

These services will be provided on the date requested or as soon as possible thereafter when the emergency falls into one of the following categories:

- State of crisis declared by the National Command Authorities (includes commitments made to the National Communications System in the "National Plan for Emergencies and Major Disasters").

**ACCESS SERVICE**

<p>8. <u>SPECIAL FEDERAL GOVERNMENT ACCESS SERVICES</u> (Cont'd)</p> <p>8.2 <u>Emergency Conditions</u> (Cont'd)</p> <ul style="list-style-type: none"><li>- Efforts to protect endangered U.S. personnel or property both in the U.S. and abroad. (Includes space vehicle recovery and protection efforts.)</li><li>- Communications requirements resulting from hostile action, a major disaster or a major civil disturbance.</li><li>- The director (Cabinet level) of a Federal department, Commander of a Unified/Specified Command, or head of a military department has certified that a communications requirement is so critical to the protection of life and property or to the National Defense that it must be processed immediately.</li><li>- Political unrest in foreign countries that affect the national interest.</li><li>- Presidential service.</li></ul> <p>8.3 <u>Intervals to Provide Service</u></p> <p>Services provided under the provisions of this section of the Price List are provided on an individual case basis. Therefore, orders for such service shall be placed under the Negotiated Interval provisions set forth in Section 5.2.2 preceding.</p>	
---	--

**ACCESS SERVICE**

<p>8. <u>SPECIAL FEDERAL GOVERNMENT ACCESS SERVICES</u> (Cont'd)</p> <p>8.4 <u>Safeguarding of Service</u></p> <p>8.4.1 <u>Facility Availability</u></p> <p>In order to insure communications during periods of emergency, the Telephone Company will, within the limits of good management, make available the necessary facilities to restore service in the event of damage or to provide temporary emergency service.</p> <p>In order to meet the requirements of agencies or branches of the Federal Government, the Telephone Company may utilize government-owned facilities, when necessary to provide service.</p> <p>8.5 <u>Federal Government Regulations</u></p> <p>In accordance with Federal Government Regulations, all service provided to the Federal Government will be billed in arrears. However, this provision does not apply to other customers that obtain services under the provisions of this Price List to provide their services to the Federal Government.</p> <p>8.6 <u>Service Offerings to the Federal Government</u></p> <p>The following unique services are provided to a customer for use only by agencies or branches of the Federal Government, other authorized users and state emergency operations centers. The rates and charges for these services shall be developed on an individual case basis and shall be consistent with the rates and charges for services offered in other sections of this Price List.</p>	
---	--

**ACCESS SERVICE**

8.	<u>SPECIAL FEDERAL GOVERNMENT ACCESS SERVICES</u> (Cont'd)
8.6	<u>Service Offerings to the Federal Government</u> (Cont'd)
8.6.1	<u>Type and Description</u>
	(A) <u>Voice Grade Special Access Services</u>
	(1) <u>Voice Grade Secure Communications Type I</u>
	Approximate bandwidth of 10-50,000 Hertz. Furnished for two-point secure communications on two-wire or four-wire metallic facilities between an IC premises and an end user's premises. Services are conditioned as follows:
	T-3 Conditioning - The absolute loss (referenced to 1 milliwatt) with respect to frequency shall not exceed:
	15 dB at 10 Hz
	13 dB at 100 Hz
	9 dB at 1,000 Hz
	20 dB at 10,000 Hz
	30 dB at 50,000 Hz
	Additional conditioning (available in one or two directions on four-wire facilities only) to provide the following characteristics:



**ACCESS SERVICE**

<p>8. <u>SPECIAL FEDERAL GOVERNMENT ACCESS SERVICES</u> (Cont'd)</p> <p>8.6 <u>Service Offerings to the Federal Government</u> (Cont'd)</p> <p>8.6.1 <u>Type and Description</u> (Cont'd)</p> <p>(A) <u>Voice Grade Special Access Services</u> (Cont'd)</p> <p>(1) <u>Voice Grade Secure Communications Type I</u> (Cont'd)</p> <p>The absolute loss (referenced to one milliwatt) with respect to frequency shall not exceed:</p> <p>0 dB at 1,000 Hz 1 dB between 1,000 Hz and 40,000 Hz 2 dB between 10 Hz and 50,000 Hz (+ means more loss)</p> <p>The net loss of the conditioned service (with or without additional conditioning) shall not vary by more than four dB at 1,000 Hz from the levels specified above. Voice frequency signaling or supervisory tones can be transmitted.</p> <p>(2) <u>Voice Grade Secure Communications Type II</u></p> <p>Approximate bandwidth 10-50,000 Hz. Furnished on four-wire metallic facilities for duplex operation for two-point secure communications between an IC premises on an end user's premises and an end user's premises. Services are conditioned as follows:</p>	
--	--

**ACCESS SERVICE**

<p>8. <u>SPECIAL FEDERAL GOVERNMENT ACCESS SERVICES</u> (Cont'd)</p> <p>8.6 <u>Service Offerings to the Federal Government</u> (Cont'd)</p> <p>8.6.1 <u>Type and Description</u> (Cont'd)</p> <p>(A) <u>Voice Grade Special Access Services</u> (Cont'd)</p> <p>(2) <u>Voice Grade Secure Communications Type II</u> (Cont'd)</p> <p>G-1 Conditioning - The absolute loss with respect to frequency and the net loss variation shall be the same as Voice Grade Secure Communications Type I services without additional conditioning. Voice frequency signaling or supervisory tones can be transmitted.</p> <p>(3) <u>Voice Grade Secure Communications Type III</u></p> <p>Approximate bandwidth 10-50,000 Hz. Furnished on four-wire metallic facilities for duplex operation for two-point secure communications between an IC premises switch and an end user's premises. Services are conditioned as follows:</p> <p>G-2 Conditioning - The absolute loss with respect to frequency and the net loss variation from the switch to an end user's premises shall be the same as Voice Grade Secure Communications Type I services without additional conditioning; from an end user's premises to the switch shall be the same as Voice Grade Secure Communications Type I services with additional conditioning. Voice frequency signaling or supervisory tones can be transmitted.</p>	
---	--

**ACCESS SERVICE**

8.	<u>SPECIAL FEDERAL GOVERNMENT ACCESS SERVICES</u> (Cont'd)
8.6	<u>Service Offerings to the Federal Government</u> (Cont'd)
8.6.1	<u>Type and Description</u> (Cont'd)
(A)	<u>Voice Grade Special Access Services</u> (Cont'd)
(4)	<u>Voice Grade Secure Communications Type IV</u>  Approximate bandwidth 10-50,000 Hz. Furnished on four-wire metallic facilities for duplex operation for two-point secure communication between two IC premises switches. Services are conditioned as follows:  G-3 Conditioning - The absolute loss with respect to frequency and the net loss variation shall be the same in both directions of transmission as Voice Grade Secure Communications Type I services with additional conditioning. Voice frequency signaling or supervisory tones can be transmitted.
(B)	<u>Wideband Digital Special Access Service</u>  Service arrangements for secured communications to accommodate the transmission of binary digital baseband signals in a random polar format.
(1)	<u>Wideband Secure Communications Type I</u>  For transmission at the rate of 18,750 bits per second.

**ACCESS SERVICE**

8.	<u>SPECIAL FEDERAL GOVERNMENT ACCESS SERVICES</u> (Cont'd)
8.6	<u>Service Offerings to the Federal Government</u> (Cont'd)
8.6.1	<u>Type and Description</u> (Cont'd)
	(B) <u>Wideband Digital Special Access Service</u> (Cont'd)
	(2) <u>Wideband Secure Communications Type II</u>
	For transmission at the rate of 50,000 bits per second.
	(3) <u>Wideband Secure Communications Type III</u>
	To accommodate the transmission of restored polar two-level facsimile signals with a minimum signal element width of twenty microseconds at a rate of 50,000 bits per second.
	To accommodate the transmission of binary digital baseband signals in a random polar format at the rate of 50,000 bits per second.
8.6.2	<u>Mileage Application</u>
	Mileage, when used for rate application between two customer premises, shall be determined by the V and H Coordinates Method as set forth in Section 14 of this Price List and administered as set forth in Section 7.3.6 preceding.

**ACCESS SERVICE**

<p>8. <u>SPECIAL FEDERAL GOVERNMENT ACCESS SERVICES</u> (Cont'd)</p> <p>8.6 <u>Service Offerings to the Federal Government</u> (Cont'd)</p> <p>8.6.3 <u>Rates and Charges</u></p> <p>(A) <u>Voice Grade Special Access Service</u></p> <p>The provision of T-3 and G conditioned services contemplates station and tandem switching operations, using customer provided equipment, as well as Special Access Service. Separate narrowband or voice grade services, where required by the customer provided equipment or switching operation, are furnished in accordance with the applicable sections of this Price List.</p> <p>(B) <u>Wideband Digital Special Access Service</u></p> <p>The rates and charges for Wideband Digital Special Access Service are as set forth in Section 20.</p> <p>(C) <u>Move Charges</u></p> <p>(1) When service without a termination charge associated with it, as set forth in (A) and (B) preceding, is moved to a different building, the nonrecurring charge applies; when moved to a new location in the same building, a charge of one-half the nonrecurring charge applies.</p> <p>(2) When service with a termination charge associated with it, as set forth in (A) and (B) preceding, is moved and is reinstalled at a new location, the customer may elect:</p>	
---	--

**ACCESS SERVICE**

<p>8. <u>SPECIAL FEDERAL GOVERNMENT ACCESS SERVICES</u> (Cont'd)</p> <p>8.6 <u>Service Offerings to the Federal Government</u> (Cont'd)</p> <p>8.6.3 <u>Rates and Charges</u> (Cont'd)</p> <p>(C) <u>Move Charges</u> (Cont'd)</p> <p>(2) (Cont'd)</p> <ul style="list-style-type: none"><li>- to pay the unexpired portion of the termination charge for the service, if any, with the application of nonrecurring charge and the establishment of a new termination charge for such service at the new location, or</li><li>- to continue service subject to the unexpired portion of the termination charge, if any, and pay the estimated costs of moving such service, provided that the customer requests these charges be quoted prior to ordering the service move. Charges for moving such service will be based on estimated costs attributable to the move.</li></ul> <p>Move charges include the estimated costs of removal, restoration of services or facilities necessitated by the move, transportation, storage, reinstallation, engineering, labor, supervision, materials, administration, and any other specific items of cost directly attributable to the move.</p>	
---	--

**ACCESS SERVICE**

9. SPECIAL FACILITIES ROUTING OF ACCESS SERVICES

9.1 Description of Special Facilities Routing of Access Services

The services provided under this Price List are provided over such routes and facilities as the Telephone Company may elect. Special Facilities Routing is involved when, in order to comply with requirements specified by the customer, the Telephone Company provides Switched Access Service, Special Access Service or Special Federal Government Access Service in a manner which includes one or more of the following conditions:

9.1.1 Diversity

Two or more services must be provided over not more than two different physical routes.

9.1.2 Avoidance

A service must be provided on a route which avoids specified geographical locations.

9.1.3 Cable-Only Facilities

Certain Voice Grade services are provided on Cable-Only Facilities to meet the particular needs of a customer.

Service is provided subject to the availability of Cable-Only facilities. In the event of service failure, restoration will be made through the use of any available facilities as selected by the Telephone Company.

Avoidance and Diversity are available on Switched Access Service as set forth in Section 6 preceding; Metallic and Telegraph Grade, Voice

**ACCESS SERVICE**

9. SPECIAL FACILITIES ROUTING OF ACCESS SERVICES (Cont'd)

9.1 Description of Special Facilities Routing of Access Services (Cont'd)

Grade and Wideband Analog Special Access Services as set forth in Sections 7.2.1, 7.2.2, 7.2.3 and 7.2.6 preceding and Special Federal Government Access Services as set forth in Section 8 preceding. Cable-Only Facilities are available for Switched Access Service as set forth in Section 6 preceding; Voice Grade Special Access Services as set forth in Section 7 preceding and Special Federal Government Access Services as set forth in Section 8 preceding.

In order to avoid the compromise of special routing information, the Telephone Company will provide the required routing information for each specially routed service to only the ordering customer. If requested by the customer, this information will be provided when service is installed and prior to any subsequent changes in routing.

The rates and charges for Special Facilities Routing of Access Services as set forth in Section 20 following are in addition to all other rates and charges that may be applicable for services provided under other sections of this Price List.

9.2 Rates and Charges for Special Facilities Routing of Access Service

The rates and charges for Special Facilities Routing of Access Services are as follows:

9.2.1 Diversity

For each service provided in accordance with 9.1.1 preceding, the rates and charges will be developed on an individual case basis and filed following:

USOC

SYD++



**ACCESS SERVICE**

9.	<u>SPECIAL FACILITIES ROUTING OF ACCESS SERVICES (Cont'd)</u>
9.2	<u>Rates and Charges for Special Facilities Routing of Access Service (Cont'd)</u>
9.2.2	<u>Avoidance</u>  For each service provided in accordance with 9.1.2 preceding, the rates and charges will be developed on an individual case basis and filed following:  <u>USOC</u>  SYA++
9.2.3	<u>Diversity and Avoidance Combined</u>  For each service provided in accordance with 9.1.1 and 9.1.2 preceding, combined, the rates and charges will be developed on an individual case basis and filed following:  <u>USOC</u>  SYB++
9.2.4	<u>Cable-Only Facilities</u>  For each service provided in accordance with 9.1.3 preceding, the rates and charges will be developed on an individual case basis and filed following:  <u>USOC</u>  SYC++

**ACCESS SERVICE**

9. SPECIALIZED SERVICE OR ARRANGEMENTS

10.1 General

Specialized Service or Arrangements may be provided by the Telephone Company, at the request of a customer, on an individual case basis if such service or arrangements meet the following criteria:

The requested service or arrangements are not offered under other sections of this tariff.

The facilities utilized to provide the requested service or arrangements are of a type normally used by the Telephone Company in furnishing its other services.

The requested service or arrangements are provided within a LATA.

The requested service or arrangements are compatible with other Telephone Company services, facilities, and its engineering and maintenance practices.

This offering is subject to the availability of the necessary Telephone Company personnel and capital resources.

10.1 Rates and Charges

Rates and charges and additional regulations if applicable, for specialized service or arrangements provided on an individual case basis are filed following:

**ACCESS SERVICE**

11. ADDITIONAL ENGINEERING, ADDITIONAL LABOR AND MISCELLANEOUS SERVICES

In this section normally scheduled working hours are an employee's scheduled work period in any given calendar day (e.g., 7:00 a.m. to 4:00 p.m.) for the application of rates based on working hours.

11.1 Additional Engineering

Additional Engineering will be provided by the Telephone Company at the request of the customer only when:

- (A) A customer requests additional technical information beyond that normally included by the Telephone Company on the Design Layout Report (DLR) as set forth in Sections 6., and 7.1.6 preceding.
- (B) Additional engineering time is incurred by the Telephone Company to engineer a customer's specific written request for a customized service or additional engineering activities that are not normally performed in the provision of services under this Price List.

The Telephone Company will notify the customer that additional engineering charges, as set forth in Section 20 following, will apply before any Additional Engineering is undertaken.

11.1.1 Charges for Additional Engineering

The charges for additional engineering are as set forth in Section 20.

**ACCESS SERVICE**

<p>11. <u>ADDITIONAL ENGINEERING, ADDITIONAL LABOR AND MISCELLANEOUS SERVICES</u> (Cont'd)</p> <p>11.2 <u>Additional Labor</u></p> <p>Additional labor is that labor requested and authorized by the customer on a given service and agreed to by the Telephone Company as set forth in 11.2.1 through 11.2.5 following. The Telephone Company will notify the customer that additional labor charges as set forth in Section 20 following will apply before any additional labor is undertaken.</p> <p>11.2.1 <u>Overtime Installation</u></p> <p>Overtime installation is that Telephone Company installation effort performed outside of normally scheduled working hours.</p> <p>11.2.2 <u>Overtime Repair</u></p> <p>Overtime Repair is that Telephone Company maintenance effort performed outside of normal scheduled working hours.</p> <p>11.2.3 <u>Stand by</u></p> <p>Stand by includes all time in excess of one-half (1/2) hour during which Telephone Company personnel stand by to make installation acceptance tests or cooperative tests with a customer on a given service.</p> <p>11.2.4 <u>Maintenance with Other Telephone Companies</u></p> <p>Additional labor charges apply to additional maintenance or repair of facilities that connect to facilities of other telephone companies. This is in addition to the normal efforts required to maintain or repair facilities provided solely by the Telephone Company, as set forth in Section 2.1.1(C).</p>
--

**ACCESS SERVICE**

11.	<u>ADDITIONAL ENGINEERING, ADDITIONAL LABOR AND MISCELLANEOUS SERVICES (Cont'd)</u>	
11.2	<u>Additional Labor (Cont'd)</u>	
11.2.5	<u>Other Labor</u>	Other labor is that additional labor not included in 11.2.1 through 11.2.4 preceding. This includes labor incurred to accommodate a specified customer request that involves only labor which is not covered by any other section of this Price List.
11.2.6	<u>Charges for Additional Labor</u>	The charges for additional labor are as set forth in Section 20.
11.3	<u>Miscellaneous Services</u>	
11.3.1	<u>Maintenance of Service</u>	(A) When a customer reports a trouble to the Telephone Company for clearance and no trouble is found in the Telephone Company's facilities, the customer shall be responsible for payment of a Maintenance of Service charge for the period of time from when Telephone Company personnel are dispatched to the customer's premises to when the work is completed. Failure of the Telephone Company personnel to find trouble in Telephone Company facilities will result in no charge if the trouble is actually in those facilities, but not discovered at the time.

**ACCESS SERVICE**

<p>11. <u>ADDITIONAL ENGINEERING, ADDITIONAL LABOR AND MISCELLANEOUS SERVICES (Cont'd)</u>          11.3 <u>Miscellaneous Services (Cont'd)</u>          11.3.1 <u>Maintenance of Service (Cont'd)</u></p>	<p>(B) The customer shall be responsible for payment of a Maintenance of Service charge when Telephone Company dispatches personnel to the customer's premises, and the trouble is in equipment or communications systems provided by other than the Telephone Company or in de-Price Listed CPE provided by the Telephone Company.          In either (A) or (B) preceding, no credit allowance will be applicable for the interruption involved if the Maintenance of Service Charge applies.</p> <p>(C) The charges for Maintenance of Service are as follows:</p> <table style="margin-left: 40px;"> <tr> <td style="text-align: center;">Maintenance of Service <u>Periods</u></td> <td style="text-align: center;"><u>USOC</u></td> <td style="text-align: center;"><u>Each Half Hour or Fraction Thereof</u></td> </tr> <tr> <td style="text-align: center;">Basic Time, Overtime and Premium Time<sup>22</sup></td> <td></td> <td style="text-align: center;">See rates for Additional Labor as set forth in MVV Section 20.</td> </tr> </table> <p>11.3.2 <u>Telecommunications Service Priority (TSP)</u></p> <p>TSP System shall be provided in accordance with the guidelines set forth in "Telecommunications Service Priority (TSP) System for National Security Emergency Preparedness (NSEP) Service Vendor Handbook" (NCSH 3-1-2) dated July 9, 1990, and "Telecommunications Service Priority System for National Security Emergency Preparedness Service User Manual" (NCSM 3-1-1).          No charge applies when a TSP Service is discontinued or when ordered coincident with an access order to install service.          The TSP Nonrecurring Charge is as set forth in Section 20.</p> <p>(A) <u>Regulations</u></p> <p>(1) The TSP System's applicability is limited to telecommunication services, which the Utility can discretely identify for priority provisioning and/or restoration.</p> <p>(2) The customer subscribing to TSP System must also be the customer subscribing to the service with which TSP is associated.</p>	Maintenance of Service <u>Periods</u>	<u>USOC</u>	<u>Each Half Hour or Fraction Thereof</u>	Basic Time, Overtime and Premium Time <sup>22</sup>		See rates for Additional Labor as set forth in MVV Section 20.
Maintenance of Service <u>Periods</u>	<u>USOC</u>	<u>Each Half Hour or Fraction Thereof</u>					
Basic Time, Overtime and Premium Time <sup>22</sup>		See rates for Additional Labor as set forth in MVV Section 20.					

<sup>22</sup> A call out of a company employee at a time not consecutive with the employee's scheduled work period is subject to a minimum charge of four hours.

**ACCESS SERVICE**

11. ADDITIONAL ENGINEERING, ADDITIONAL LABOR AND MISCELLANEOUS SERVICES (Cont'd)

11.3 Miscellaneous Services (Cont'd)

11.3.2 Telecommunications Service Priority (TSP) (Cont'd)

(A) Regulations (Cont'd)

- (3) Under certain conditions, it may be necessary to preempt one or more customer services with a lower or no TSP in order to install or restore higher priority NSEP telecommunications service(s). If such preemption is necessary, and if circumstances permit, the Utility will make reasonable effort to notify the preempted customer of the action to be taken. Credit allowance for such service preemption shall be made, in accordance with the provisions specified elsewhere in the Utility's Tariff.
- (4) In obtaining TSP System, the customer acknowledges and consents to the Utility providing customer service record information to the Federal Government in order for the Government to maintain and administer its overall TSP System. This customer service record information will include the TSP Authorization Code, Utility's Circuit/Service ID, customer's telephone number and service location.
- (5) Credit allowance for service interruption for TSP Maintenance and Administration shall be the same as for the service with which it is associated as specified elsewhere in the Utility's Tariff.
- (6) When performing a service under TSP, the Utility may not be in a position to notify the customer in advance of circumstances which require additional labor and for which additional labor charges apply. The TSP subscriber recognizes that quoting charges and obtaining permission to proceed would cause unnecessary delays that would be contrary to the objectives of the TSP System. In subscribing to the TSP System the customer recognizes this condition and grants the Utility the right to quote charges after work has been completed.
- (7) Other regulations, rates and charges for services such as expedited service, special construction, due date change, Maintenance of Service etc. may apply as specified elsewhere in the Utility's Tariff when provided in conjunction with the TSP System. No charge applies when TSP is discontinued.
- (8) The nonrecurring charges are set forth in Section 20 following.

**ACCESS SERVICE**

11. ADDITIONAL ENGINEERING, ADDITIONAL LABOR AND MISCELLANEOUS SERVICES (Cont'd)

11.3 Miscellaneous Services (Cont'd)

11.3.3 Standard Jacks - Registration Program

Standard jacks are provided by the Telephone Company to connect Registered Equipment to those services that are subject to the Registration Program as set forth in Section 2.5 preceding. The use of jacks is covered in 47 CFR § 68.1 et al. Specific jacks are described in the document on file with the FCC entitled "Description of Standard Registration Program Connection Configurations Supplementing Configurations Described in 47 CFR § 68(f)."

These jacks are used to terminate services provided by the Telephone Company. Other services or facilities provided by the Telephone Company or by others may also be terminated in any space capacity of the jacks remaining after installation without additional charge for the use of such capacity.

The nonrecurring charges, which include installation, for standard jacks and their typical uses are set forth in Section 20.



**ACCESS SERVICE**

11. ADDITIONAL ENGINEERING, ADDITIONAL LABOR AND MISCELLANEOUS SERVICES (Cont'd)

11.3 Miscellaneous Services (Cont'd)

11.3.4 Testing Services

Testing Services provides for the use of a Telephone Company technician in performing specific tests authorized by the customer including additional testing of facilities that connect to facilities of other telephone companies. Testing Services offered under this section of the Price List are optional and are in addition to acceptance tests and in-service tests performed by the Telephone Company as described in Sections 6., and 7.1.6 preceding. Testing Services are made subject to the availability of the necessary qualified personnel and test equipment at the requested test locations.

Testing Services consist of Additional Cooperative Acceptance Testing (ACAT) that is performed during installation of Access Services and Nonscheduled Testing (NST), which is performed after acceptance of Access Services by the customer. Rates and charges for Testing Service are set forth in Section 20 following.

The Telephone Company will provide, upon request, documentation that lists the results of the tests performed. Trunk test failures requiring customer participation for trouble resolution will be provided to the customer on an as-occurs basis.

(A) Additional Cooperative Acceptance Testing

Rates and charges for Additional Cooperative Acceptance Testing of Switched and Special Access Services apply per technician used.

**ACCESS SERVICE**

11. ADDITIONAL ENGINEERING, ADDITIONAL LABOR AND MISCELLANEOUS SERVICES (Cont'd)

11.3 Miscellaneous Services (Cont'd)

11.3.4 Testing Services (Cont'd)

(A) Additional Cooperative Acceptance Testing (Cont'd)

(1) Switched Access Service

Additional Cooperative Acceptance Testing (ACAT) of Switched Access Service is performed at the time of installation and involves the Telephone Company provision of a technician at its office(s) and the customer provides a technician at its premises, with suitable test equipment to perform the required tests. The Telephone Company may, at the request of the customer, supply a technician at the customer's premises to perform the required tests.

Additional Cooperative Acceptance Tests may, for example, consist of the following tests:

- C-Notched Noise
- Impulse Noise
- Phase Jitter
- Signal to C-Notched Noise Ratio
- Intermodulation (Nonlinear) Distortion
- Frequency Shift (Offset)
- Envelope Delay Distortion
- Dial Pulse Percent Break

**ACCESS SERVICE**

11. ADDITIONAL ENGINEERING, ADDITIONAL LABOR AND MISCELLANEOUS SERVICES (Cont'd)

11.3 Miscellaneous Services (Cont'd)

11.3.4 Testing Services (Cont'd)

(A) Additional Cooperative Acceptance Testing (Cont'd)

(2) Special Access Service

When a customer provides a technician at its premises or at an end user's premises, with suitable test equipment to perform the requested tests, the Telephone Company may provide a technician at its office for the purpose of conducting Additional Cooperative Acceptance Testing on Voice Grade Services at the time of installation. At the customer's request, the Telephone Company may provide a technician at the customer's premises or at the end user premises. These tests may, e.g., consist of the following:

- Attenuation Distortion (i.e., frequency response)
- Intermodulation Distortion (i.e., harmonic distortion)
- Phase Jitter
- Impulse Noise
- Envelope Delay Distortion
- Echo Control
- Frequency Shift

**ACCESS SERVICE**

<p>11. <u>ADDITIONAL ENGINEERING, ADDITIONAL LABOR AND MISCELLANEOUS SERVICES</u> (Cont'd)</p> <p>11.3 <u>Miscellaneous Services</u> (Cont'd)</p> <p>11.3.4 <u>Testing Services</u> (Cont'd)</p> <p>(B) <u>Nonscheduled Testing</u></p> <p>Nonscheduled tests are performed by the Telephone Company "on demand." When a customer provides a technician at its premises with suitable test equipment to perform the required tests, the Telephone Company may provide a technician at its office for the purpose of conducting Nonscheduled Testing of Switched or Special Access services. At the customer's request, the Telephone Company may provide a technician at the customer's premises. Nonscheduled tests may consist of any tests, e.g., loss, noise, slope, envelope delay, which the customer may require. Rates and charges for Nonscheduled Testing apply per technician used.</p> <p>(C) <u>Rates and Charges</u></p> <table style="margin-left: 40px;"> <tr> <td></td> <td style="text-align: right;">Each Half Hour or <u>Fraction Thereof*</u></td> </tr> <tr> <td>(1) Switched Access Basic Time, Overtime and Premium Time<sup>23</sup></td> <td style="text-align: right;">See the rates for Additional Labor as set forth in Section 20.</td> </tr> <tr> <td>(2) Special Access Basic Time, Overtime and Premium Time<sup>23</sup></td> <td style="text-align: right;">See the rates for Additional Labor as set forth in Section 20.</td> </tr> </table>		Each Half Hour or <u>Fraction Thereof*</u>	(1) Switched Access Basic Time, Overtime and Premium Time <sup>23</sup>	See the rates for Additional Labor as set forth in Section 20.	(2) Special Access Basic Time, Overtime and Premium Time <sup>23</sup>	See the rates for Additional Labor as set forth in Section 20.	
	Each Half Hour or <u>Fraction Thereof*</u>						
(1) Switched Access Basic Time, Overtime and Premium Time <sup>23</sup>	See the rates for Additional Labor as set forth in Section 20.						
(2) Special Access Basic Time, Overtime and Premium Time <sup>23</sup>	See the rates for Additional Labor as set forth in Section 20.						

<sup>23</sup> A call-out of a Telephone Company employee at a time not consecutive with the employee's scheduled work period is subject to a minimum charge of four hours.

**ACCESS SERVICE**

11. ADDITIONAL ENGINEERING, ADDITIONAL LABOR AND MISCELLANEOUS SERVICES (Cont'd)

11.3 Miscellaneous Services (Cont'd)

11.3.5 Provisions of Access Service Billing Information

- (A) The customer will receive its monthly bills in a standard paper format.
- (B) At the option of the customer, and for an additional charge:
  - (1) Customer monthly bills may be provided on magnetic tape,
  - (2) Billing detail and/or information may be transmitted to the customer premises by data transmission,
  - (3) Additional copies of the customer monthly bill or service and features record may be provided in a standard paper or microfiche format.
- (C) Upon acceptance by the Telephone Company of an order for data transmission, the Telephone Company will determine the period of time to implement the transmission of such material on an individual order basis.
- (D) The rates and charges for the provision of Access Service Billing Information are as set forth in Section 20.

**ACCESS SERVICE**

11. <u>ADDITIONAL ENGINEERING, ADDITIONAL LABOR AND MISCELLANEOUS SERVICES (Cont'd)</u>				
11.3 <u>Miscellaneous Services (Cont'd)</u>				
11.3.6 <u>Protective Connecting Arrangements</u>				
The following Protective Connecting Arrangements (PCAs) are grandfathered and are offered to on-the-shelf availability:				
	<u>Description</u>	<u>USOC</u>	<u>Monthly Rates</u>	<u>Nonrecurring Charges</u>
	Automatic PCA with a contact type signaling interface for 2 or 4-wire voice-band connections of CPE communications systems to Telephone Company Special Access Services.	CDQ	\$5.85	-
	Automatic PCA for connection of a customer, authorized user or joint user provided communications system arranged for CPE dial or automatic channel signaling, to a Telephone Company Special Access Service which terminates at the distant end in a telephone company-provided PBX arranged for dial or automatic signaling (4-wire).	C234W	10.10	\$87.15

**ACCESS SERVICE**

11. <u>ADDITIONAL ENGINEERING, ADDITIONAL LABOR AND MISCELLANEOUS SERVICES (Cont'd)</u>				
11.3 <u>Miscellaneous Services (Cont'd)</u>				
11.3.6 <u>Protective Connecting Arrangements (Cont'd)</u>				
	<u>Description</u>	<u>USOC</u>	<u>Monthly Rates</u>	<u>Nonrecurring Charges</u>
	PCA which provides for connection of CPE automatic telephone answering devices to central office, PBX trunk, key system lines, and centrex station lines by means of a 2-wire interface.	PA6++	ICB rates apply	and charges
	PCA for connection of CPE answering or recording equipment to Telephone Company lines, for one-way voice transmission in each direction but not simultaneously. Recording of two-way conversations is prevented, by the PCA.	RDL	\$5.40	\$30.75
	PCA for use with CPE answer only equipment where two-way transmission is required.	PFZ++	ICB rates apply	and charges

**ACCESS SERVICE**

11. <u>ADDITIONAL ENGINEERING, ADDITIONAL LABOR AND MISCELLANEOUS SERVICES (Cont'd)</u>				
11.3 <u>Miscellaneous Services (Cont'd)</u>				
11.3.6 <u>Protective Connecting Arrangements (Cont'd)</u>				
	<u>Description</u>	<u>USOC</u>	<u>Monthly Rates</u>	<u>Nonrecurring Charges</u>
	Same application as PFZ++ with voice control disconnect and automatic receive volume limiting.	PF9++	ICB rates apply	and charges
	PCA for use with CPE to provide data on PBX trunks. Also requires standard PBX trunk PCA.	PGA++	ICB rates apply	and charges
	PCA to permit connection of CPE message registers to exchange facilities of the Telephone Company for indications of message registration for outgoing calls over the associated central office trunks (facilities). Each trunk would also have a PCA (typically CDH or CD8) for connection of the CPE PBX. Association of the trunk with the station is made by the CPE.			
		PGB++	ICB rates apply	and charges



**ACCESS SERVICE**

11. <u>ADDITIONAL ENGINEERING, ADDITIONAL LABOR AND MISCELLANEOUS SERVICES</u> (Cont'd)				
11.3 <u>Miscellaneous Services</u> (Cont'd)				
11.3.6 <u>Protective Connecting Arrangements</u> (Cont'd)				
	<u>Description</u>	<u>USOC</u>	<u>Monthly Rates</u>	<u>Nonrecurring Charges</u>
	Alarm coupler for use with rotary dial, one-way transmission CPE alarm signaling device.	PGH++	ICB rates apply	and charges
	PCA to permit the connection of CPE to a Telephone Company special recording trunk arranged for 2-way service, i.e., outward dialing by hotel/motel guests and answering by the operator of the Telephone Company long distance switchboard (the equivalent of a toll terminal).	PDA++	ICB rates apply	and charges
	For termination of CPE tie lines, with CPE channel signaling, in Centrex systems 4-wire.	C2H	\$7.20	\$21.60

**ACCESS SERVICE**

11. <u>ADDITIONAL ENGINEERING, ADDITIONAL LABOR AND MISCELLANEOUS SERVICES</u> (Cont'd)				
11.3 <u>Miscellaneous Services</u> (Cont'd)				
11.3.6 <u>Protective Connecting Arrangements</u> (Cont'd)				
	<u>Description</u>	<u>USOC</u>	<u>Monthly Rates</u>	<u>Nonrecurring Charges</u>
	PCA used for automatic connection of CPE voice transmitting and/or receiving terminal equipment to an exchange line or PBX/CTX station line, or to a WATS Access Line.	C2ACP	\$9.40	\$7.80
	PCA to provide for connection of CPE terminal equipment to Telephone Company central office key system and PBX station lines and WATS Access Lines via 3-wire interface.	PDJ++	ICB rates apply	and charges
	PCA for connection of CPE voice communications systems and/or terminal equipment via 2-wire interface to Telephone Company lines and trunks (only loop start trunks not equipped for toll diversion), or terminal equipment.	PDK++	ICB rates apply	and charges

**ACCESS SERVICE**

11. <u>ADDITIONAL ENGINEERING, ADDITIONAL LABOR AND MISCELLANEOUS SERVICES (Cont'd)</u>				
11.3 <u>Miscellaneous Services (Cont'd)</u>				
11.3.6 <u>Protective Connecting Arrangements (Cont'd)</u>				
	<u>Description</u>	<u>USOC</u>	<u>Monthly Rates</u>	<u>Nonrecurring Charges</u>
	Manual PCA used to connect a cord switchboard position of CPE system, which provides supervisory signals, to an exchange trunk line.	PDQ++	ICB rates apply	and charges
	Automatic PCA used to connect an exchange trunk line arranged for two-way combination service to and from the attendant position and from the dial switching equipment of a CPE system.	CDH	\$10.45	\$39.05
	Automatic PCA used to connect an exchange trunk line arranged for one-way incoming service to the attendant position of a CPE system.	PDV++	ICB rates apply	and charges

**ACCESS SERVICE**

11. <u>ADDITIONAL ENGINEERING, ADDITIONAL LABOR AND MISCELLANEOUS SERVICES (Cont'd)</u>			
11.3 <u>Miscellaneous Services (Cont'd)</u>			
11.3.6 <u>Protective Connecting Arrangements (Cont'd)</u>			
	<u>Description</u>	<u>USOC</u>	<u>Monthly Rates</u>
			<u>Nonrecurring Charges</u>
	Automatic PCA used to connect an exchange trunk line arranged for one-way outgoing service from the attendant position of a CPE system.	PDZ++	ICB rates and charges apply
	Automatic PCA used to connect an exchange trunk line arranged for one-way outgoing service from the dial switching equipment of a CPE system.	PFA++	ICB rates and charges apply
	Automatic PCA used to connect an exchange trunk line arranged for one-way service, to and from the attendant position of a CPE system.	CD9	\$7.80 \$39.05

**ACCESS SERVICE**

11. <u>ADDITIONAL ENGINEERING, ADDITIONAL LABOR AND MISCELLANEOUS SERVICES</u> (Cont'd)				
11.3 <u>Miscellaneous Services</u> (Cont'd)				
11.3.6 <u>Protective Connecting Arrangements</u> (Cont'd)				
	<u>Description</u>	<u>USOC</u>	<u>Monthly Rates</u>	<u>Nonrecurring Charges</u>
	PCA used for automatic connecting of CPE voice transmitting and/or receiving terminal equipment bridged to an exchange line or PBX/CTX station line, or to a Switched Access Line, e.g., WATS access line, which is terminated in a Telephone Company station.	C2AKS	\$9.40	\$7.80
	Automatic PCA used to connect an exchange trunk line, arranged for one-way service, i.e., outward dialing by hotel/motel guests to the operator position of a Telephone Company long distance switchboard (the equivalent of a toll terminal).	PFV++	ICB rates apply	and charges

**ACCESS SERVICE**

11. <u>ADDITIONAL ENGINEERING, ADDITIONAL LABOR AND MISCELLANEOUS SERVICES (Cont'd)</u>				
11.3 <u>Miscellaneous Services (Cont'd)</u>				
11.3.6 <u>Protective Connecting Arrangements (Cont'd)</u>				
	<u>Description</u>	<u>USOC</u>	<u>Monthly Rates</u>	<u>Nonrecurring Charges</u>
	PCA to provide for connection of CPE originate only or originate and answer terminal equipment.	PFW++	ICB rates apply	and charges
11.3.7 <u>Miscellaneous Equipment</u>				
(A) <u>Controller Arrangement</u>				
<p>This arrangement enables the customer to control up to 48 transfer functions at a Telephone Company central office via a remote keyboard terminal capable of either 300 or 1200 bps operation. Included as part of the Controller Arrangement is a dial-up data station located at the Telephone Company Central Office to provide access to the Controller Arrangement. This dial-up data station consists of a 212A DATAPHONE data set and an appropriate Telephone Company provided channel.</p> <p>The Controller Arrangement must be located in the same Telephone Company central office as the transfer functions that it controls.</p> <p>The Controller Arrangement monthly charge is as set forth in Section 20.</p>				

---

**ACCESS SERVICE**

11. ADDITIONAL ENGINEERING, ADDITIONAL LABOR AND MISCELLANEOUS SERVICES (Cont'd)

11.3 Miscellaneous Services (Cont'd)

11.3.8 Adoption Notice 911 Foreign Exchange Access Service

- (A) ZiPLY Fiber of Idaho, LLC adopts and concurs in the Foreign Exchange Access Service Price List (13. Switched Private Line Access Service, Pages 9, 10, and 11) of Qwest Corporation d/b/a CenturyLink QC Private Line Transport Service Catalog Section 5.2.5 Foreign Exchange Service, together with amendments thereto and successive issues thereof, and hereby makes itself a party thereto until this authority is revoked by cancellation of this adoption and concurrence by formal and official notice of revocation with the Public Utilities Commission of the State of Idaho.

**ACCESS SERVICE**

11. ADDITIONAL ENGINEERING, ADDITIONAL LABOR AND SERVICES (Cont'd)

11.3 Miscellaneous Services (Cont'd)

11.3.9 Presubscription

Presubscription is a procedure whereby an end user<sup>24</sup> may select and designate to the Telephone Company an Interexchange Carrier (IC) to access, without dialing an access code, for intraLATA and interLATA intrastate calls. The end user may select one (1) IC for both intraLATA and interLATA calls or they may select one (1) IC for their interLATA calls and a different IC or the Telephone Company for IntraLATA calls. The selected ICs are referred to as the end user's primary ICs. The presubscription procedure also allows the agent<sup>25</sup> representing a pay telephone to select and designate to the Telephone Company ICs to access, without dialing an access code, for intraLATA and interLATA intrastate calls. Presubscription is available only to End Users served by end offices that have been converted to provide Feature Group D Switched Access Service.

InterLATA presubscription of residence and business lines and /or trunks is furnished in accordance with the detailed provisions of the Federal Communications Commission's Allocation Plan. The plan with all appendices is available for inspection at the main building of the Federal Communications Commission in the Public Reference Room of the Price List Division. Copies may be obtained from the Federal Communications Commission's Commercial Contractor.

---

<sup>24</sup> For purposes of this section, the term end user also includes Alternative local exchange carriers (ALECs) that are certified to resell local exchange telecommunications service.

<sup>25</sup> An agent is the person or persons who have the legal authority to give permission to for the placement of pay telephone on their premises and who control access to or usage of the pay telephone



**ACCESS SERVICE**

<p>11. <u>ADDITIONAL ENGINEERING, ADDITIONAL LABOR AND SERVICES</u> (Cont'd)</p> <p>11.3 <u>Miscellaneous Services</u> (Cont'd)</p> <p>11.3.9 <u>Presubscription</u> (Cont'd)</p> <p>Should a customer want to use other services of another IC, it will be necessary for the customer to dial the necessary access code(s) (i.e., 101XXXX) to reach that IC's service(s)</p> <p>Principal provisions of the Allocation Plans and associated Telephone Company provisions are as follows:</p> <p>(A) <u>End User and Agent Notification, Equal Access Process and Interexchange Carrier End User and Agent Lists.</u></p> <p>An end user or agent must select only one IC as a primary IC. Multi-line hunt group end users or agents have two options in selecting a primary IC. Under option one, an end user or agent may select one IC for all its lines. Under option two, an end user or agent may indicate a desire to designate specific lines to different ICs. When option two is selected, the end user or agent must give notice to the Telephone Company, which will allow a line-by-line designation of ICs.</p>
---

**ACCESS SERVICE**

11. ADDITIONAL ENGINEERING, ADDITIONAL LABOR AND SERVICES (Cont'd)

11.3 Miscellaneous Services (Cont'd)

11.3.9 Presubscription (Cont'd)

(A) End User and Agent Notification, Equal Access Process and Interexchange Carrier End User and Agent Lists (Cont'd)

An IC obtaining service commitments from end users and agents directly must provide an IC End User and Agents List to the Telephone Company accompanied by a document certifying that the IC does have end user and agent signed statements, or has taken steps to obtain signed letters of agency, containing the required information from each end user and agent on the list. The Telephone Company will process all End User and Agent list that are received. This choice is considered a valid selection and the nonrecurring charge as set forth in Section 20.4.7 following will apply to any subsequent change made after the equal access conversion date.

Customers obtaining service from the Telephone Company on or after the date of intraLATA equal access conversion who do not make an affirmative selection, will have no "1"+ capability until they make a selection.

**ACCESS SERVICE**

11.	<u>ADDITIONAL ENGINEERING, ADDITIONAL LABOR AND SERVICES</u> (Cont'd)	
11.3	<u>Miscellaneous Services</u> (Cont'd)	
11.3.9	<u>Presubscription</u> (Cont'd)	
	(B) <u>Presubscription Charge Application</u>	
	The Telephone Company will provide an initial waiver period of 180 days during which the end user is allowed one intraLATA PIC Change free of charge. This waiver period will expire on February 3, 1998, based on an August 8, 1997 implementation date of IntraLATA Toll Dialing Parity.	

**ACCESS SERVICE**

11. ADDITIONAL ENGINEERING, ADDITIONAL LABOR AND SERVICES (Cont'd)

11.3 Miscellaneous Services (Cont'd)

11.3.9 Presubscription (Cont'd)

(C) Presubscription Charge Application (Cont'd)

New end users or agents, who will be served by end offices equipped with equal access, will be asked to select a primary IC for both intraLATA and interLATA calls or select one (1) IC for their interLATA calls at the time they place an order with the Telephone Company for Telephone Exchange Service.

New end users or agents will be offered a list of participating carriers to aid in their selection of a primary interLATA and intraLATA ICs.

After the end user's or agent's initial primary IC selection, for any change thereafter, a charge, as set forth in Section 20.4.7 following applies.

End users may designate that they do not want a primary interLATA or intraLATA IC and this choice is referred to as "No-PIC". This choice is considered a valid selection and a Presubscription Charge will apply to any subsequent change. The "No-PIC" designation is not available to pay telephone agents.

**ACCESS SERVICE**

<p>11. <u>ADDITIONAL ENGINEERING, ADDITIONAL LABOR AND SERVICES</u> (Cont'd)</p> <p>11.3 <u>Miscellaneous Services</u> (Cont'd)</p> <p>11.3.9 <u>Presubscription</u> (Cont'd)</p> <p>(C) <u>Presubscription Charge Application</u> (Cont'd)</p> <p>Should an IC elect to discontinue Feature Group D service in an end office converting to equal access prior to the conversion date, or within two years after the introduction of Feature Group D in the converted end office, the IC shall contact in writing all end users and agents who selected, or were allocated to, the canceling IC as their designated IC. Such written notification must advise these end users or agents of the cancellation, request that the end users or agents select a new IC, and state that the canceling IC will pay the change charge.</p> <p>For a period of two years following the IC's discontinuance of Feature Group D service, the Telephone Company will bill the canceling IC the change charge for each end user and agent that is currently designated to the IC at the time of discontinuance.</p> <p>The Telephone Company will make conversion changes in the end user's or agents' interLATA and intraLATA PIC assignment pursuant to an IC provided list of customers, accepted by the Telephone Company under the conditions set forth in (A) preceding. Should an end user or agent dispute authorization of the change in PIC assignments, the Telephone Company may, in order to resolve the dispute, require that the IC requesting the change submit a signed letter of agency. If the IC cannot produce a</p>	
--	--

**ACCESS SERVICE**

11.	<u>ADDITIONAL ENGINEERING, ADDITIONAL LABOR AND SERVICES</u> (Cont'd)	
11.3	<u>Miscellaneous Services</u> (Cont'd)	
11.3.9	<u>Presubscription</u> (Cont'd)	
(C)	<u>Presubscription Charge Application</u> (Cont'd)	
	<p>customer signed letter of agency from the end user or agent, and the Telephone Company resolves the dispute in favor of the end user or agent, the IC will be billed two nonrecurring charges: a presubscription change charge as set forth in Section 20.4.7 following for the change to the disputed IC and an unauthorized presubscription change charge as specified in Section 20.4.7 following to restore the end user's or agent's prior IC assignment. If the IC produces the required letter of agency within 30 days of the Telephone Company's request, the end user or agent will be billed two presubscription change charges as specified in Section 20.4.7 following in lieu of the IC. Charges are only applicable if a change in an end user's or agent's IC selection has actually been implemented in the switch.</p>	

---

**ACCESS SERVICE**

11.	<u>ADDITIONAL ENGINEERING, ADDITIONAL LABOR AND SERVICES</u> (Cont'd)	
11.3	<u>Miscellaneous Services</u> (Cont'd)	
11.3.9	<u>Presubscription</u> (Cont'd)	
(D)	The Presubscription Change Charge is a nonrecurring charge that varies based on the type of PIC Change Order that is submitted. Rates for manually submitted orders will typically be higher than rates for electronically submitted orders. When a customer requests only an interLATA PIC Change, the interLATA Presubscription Change Charge found in ZiPLY Fiber of Idaho, LLC Price List FCC No. 1 will apply. When a customer requests only an intraLATA PIC Change, the charge from this Price List will apply. When a customer requests both interLATA and intraLATA Presubscription changes to the same phone number on the same order, a lower rate applies.	
	The nonrecurring charge for a change in Presubscription rates can be found in section 20.4.7 following.	

**ACCESS SERVICE**

11. ADDITIONAL ENGINEERING, ADDITIONAL LABOR AND SERVICES (Cont'd)

11.3 Miscellaneous Services (Cont'd)

11.3.9 Presubscription (Cont'd)

(E) IC CIC Consolidation

IC requests to consolidate multiple CICs (Carrier Identification Codes) will be subject to an IC CIC Consolidation Charge. This charge is only assessed when all lines or trunks associated with the former CIC(s) are changed on a one-time realignment basis within the Telephone Company's databases at a nationwide level to a single existing CIC. Requests for an IC CIC Consolidation must be provided to the Telephone Company in writing, but no ASR Ordering Charge is applicable for this request.

The IC CIC Consolidation charge does not apply to normal PIC change activity, whereby carrier selection is changed and no consolidation of CICs occurs.

The Telephone Company will negotiate a due date for an IC CIC Consolidation with the IC. It is the sole responsibility of the IC to notify affected end users of the change.

If an IC elects to change a CIC due to surrendering a CIC to the North American Numbering Plan (NANP) Administrator for reassignment, the IC CIC Consolidation Charge will be waived. The waiver is applied only when the IC surrenders the CIC on a nationwide basis. Additionally, the CIC must be relinquished within ninety (90) days from the completed conversion date. Confirmation of relinquished code(s) must be in writing and come from the NANP Administrator.



**ACCESS SERVICE**

11.	<u>ADDITIONAL ENGINEERING, ADDITIONAL LABOR AND SERVICES</u> (Cont'd)
11.3	<u>Miscellaneous Services</u> (Cont'd)
11.3.9	<u>Presubscription</u> (Cont'd)
(F)	<u>Liability of the Telephone Company</u>
(a)	If through the fault of the Telephone Company, the end user or agent is not subscribed to its chosen PIC, the nonrecurring charges in Section 20.4.7 do not apply to reassign the end user or agent to his chosen PIC.
(b)	The IC shall indemnify, protect and save harmless the Telephone Company from and against any and all loss, liability, damages and expense arising out of any demand, claim suit or judgment for damages which may arise out of the Telephone Company's supplying of listing information, services or records.
(c)	The Telephone Company and the IC agree that the mutual objective of the parties is to conduct their respective businesses to avoid confusion by the end users and agents as to the separate and independent identity of the respective companies and their services. Neither the Telephone Company nor the IC shall make any representation to end users, the public, prospective advertisers, expressed or implied, written or oral, which would imply that the IC is the same as, a part of, or associated with the Telephone Company.

**ACCESS SERVICE**

<p>11. <u>ADDITIONAL ENGINEERING, ADDITIONAL LABOR AND SERVICES</u> (Cont'd)</p> <p style="padding-left: 40px;">11.3 <u>Miscellaneous Services</u> (Cont'd)</p> <p style="padding-left: 40px;">11.3.9 <u>Presubscription</u> (Cont'd)</p> <p style="padding-left: 80px;">(F) <u>Liability of the Telephone Company</u> (Cont'd)</p> <p style="padding-left: 120px;">(d) This service may be terminated by either the Telephone Company or the IC upon thirty (30) days' written notice. The Telephone Company reserves the right to terminate this service immediately upon written notice if the IC misuses the list information. Performance by the Telephone Company shall be excused in the event of a strike, riot, act of God or any other cause beyond the reasonable control of the Telephone Company.</p> <p style="padding-left: 80px;">(G) <u>IC Desired Due Date (ICDDD) for PIC Installation</u></p> <p style="padding-left: 120px;">An IC may request a desired due date for PIC installation for a specific, single end user or agent acting on behalf of an end user post equal access conversion. This ICDDD is a mutually agreed upon negotiated due date, determined to be between 3 and 45 business days from the date of receipt of the order. The IC must coordinate the ICDDD with the Telephone Company prior to sending in the first order.</p> <p style="padding-left: 120px;">The ICDDD does not apply to routine lists provided by the ID, as set forth in 11.3.9(A). The Nonrecurring Charge for Primary Interexchange Carrier, as set forth in Section 20.4.7 following applies to each line converted to the IC requesting ICDDD. This charge will be billed to the IC's end user customer.</p>	
--	--

**ACCESS SERVICE**

12.	<u>SPECIAL CONSTRUCTION</u>	
12.1	<u>Regulations</u>	
12.1.1	<u>Filing of Charges</u>	
		Rates, charges and liabilities for special construction to provide facilities for use for one month or more are filed in 12.1.8, following, as appropriate.
		Rates, charges and liabilities for the construction of facilities for use for less than one month are filed in supplements to this Price List.
12.1.2	<u>Ownership of Facilities</u>	
		The Telephone Company providing specially constructed facilities under the provisions of this Price List retains ownership of all such facilities.
12.1.3	<u>Interval to Provide Facilities</u>	
		Based on available information and the type of service ordered, the Telephone Company will establish a completion date for the specially constructed facilities. If the scheduled completion date cannot be met due to circumstances beyond the control of the Telephone Company, a new completion date will be established and the customer will be notified.
12.1.4	<u>Special Construction Involving Both Intrastate and Interstate Facilities</u>	
		When special construction involves facilities to be used to provide both intrastate and interstate services, charges for the portion of the construction used to provide intrastate service

**ACCESS SERVICE**

12. SPECIAL CONSTRUCTION (Cont'd)

12.1 Regulations (Cont'd)

12.1.4 Special Construction Involving Both Intrastate and Interstate Facilities (Cont'd)

shall be in accordance with this Price List. Charges for the portion of the construction used to provide interstate service shall be in accordance with the appropriate interstate Price List.

12.1.5 Payments for Special Construction

(A) Payment of Charges

All bills associated with special construction charges are due in accordance with the regulations in the appropriate service Price List.

(B) Start/End of Billing

Billing of recurring charges for specially constructed facilities starts on the day after the facilities are made available for use. Billing accrues through and includes the day that the specially constructed facilities are discontinued.

(C) Credit Allowance for Service Interruptions

In the event of a service interruption involving a specially constructed facility, the customer shall receive a recurring monthly charge credit in accordance with the credit allowance provisions in the appropriate service Price List associated with the affected services.

**ACCESS SERVICE**

12. SPECIAL CONSTRUCTION (Cont'd)

12.1 Regulations (Cont'd)

12.1.5 Payments for Special Construction (Cont'd)

(C) Credit Allowance for Service Interruptions (Cont'd)

When an interruption continues due to the failure of the customer to authorize the replacement of facilities subject to a Replacement Charge, as specified in 12.1.6(D)(1)(d) following, the credit allowance will be terminated on the seventh calendar day after the Telephone Company has provided the customer with written notification of the need for replacement. The credit allowance will resume on the day after the Telephone Company receives written authorization for the replacement from the customer.

12.1.6 Liabilities and Charges for Special Construction

(A) General

This section describes the various charges and liabilities that may apply when the Telephone Company provides special construction of facilities in accordance with an order for service. Written approval of all liabilities and charges must be provided to the Telephone Company prior to the start of construction.

(B) Conditions Requiring Special Construction

Special construction is required when 1) facilities are not available to meet an order for service, and 2) the Telephone Company constructs facilities, and 3) one or more of the following conditions exist:

**ACCESS SERVICE**

12. SPECIAL CONSTRUCTION (Cont'd)

12.1 Regulations (Cont'd)

12.1.6 Liabilities and Charges for Special Construction (Cont'd)

(B) Conditions Requiring Special Construction (Cont'd)

- The Telephone Company has no other requirement for the facilities requested.
- It is requested that service be furnished using a type of facility, or via a route, other than that which the Telephone Company would normally utilize in furnishing the requested service.
- More facilities are requested than would normally be required to satisfy an order.
- It is requested that construction be expedited, resulting in added cost to the Telephone Company.

(C) Development of Liabilities and Charges

Special construction charges and liabilities will be developed based on estimated costs, except when actual costs are requested in writing prior to the start of special construction.

In order to meet a scheduled service date when actual costs are requested, an initial special construction filing may be made based on estimated costs. Such a filing will be revised when actual costs are available.

**ACCESS SERVICE**

12. SPECIAL CONSTRUCTION (Cont'd)

12.1 Regulations (Cont'd)

12.1.6 Liabilities and Charges for Special Construction (Cont'd)

(D) Types of Liabilities and Charges (Cont'd)

Depending on the specifics associated with each individual case, one or more of the following special construction charges and/or liabilities may be applicable:

(1) Nonrecurring Charge

A nonrecurring charge always applies and includes one or more of the following components:

(a) Case Preparation Charge

A nonrecurring charge always includes a case preparation charge component to cover the administrative expenses associated with preparing a special construction case and the associated Price List filing.

(b) Expediting Charge

A nonrecurring charge may include an expediting charge when it is requested that special construction be completed on an expedited basis. The charge equals the difference in estimated cost between expedited and nonexpedited construction.

**ACCESS SERVICE**

12. SPECIAL CONSTRUCTION (Cont'd)

12.1 Regulations (Cont'd)

12.1.6 Liabilities and Charges for Special Construction (Cont'd)

(D) Types of Liabilities and Charges (Cont'd)

(1) Nonrecurring Charge (Cont'd)

(c) Optional Payment

An optional payment charge may be included in the nonrecurring charge in association with a type of facility or route other than that which the Telephone Company would normally use in furnishing the requested service if lower recurring monthly charges are desired for the specially constructed facilities. This charge is equal to the excess installed cost or the total nonrecoverable cost, whichever is less. This election must be made in writing before special construction starts. If this election is coupled with actual cost option, the optional payment charge will reflect the actual cost of the specially constructed facilities.

(d) Replacement Charge

If any portion of specially constructed facilities for which an optional payment charge has been paid requires replacement involving capital investment, a replacement charge will apply. This charge will be in the same ratio to the total replacement cost as the initial optional



**ACCESS SERVICE**

12. SPECIAL CONSTRUCTION (Cont'd)

12.1 Regulations (Cont'd)

12.1.6 Liabilities and Charges for Special Construction (Cont'd)

(D) Types of Liabilities and Charges (Cont'd)

(1) Nonrecurring Charge (Cont'd)

(d) Replacement Charge (Cont'd)

payment charge was to the installed cost of the original specially constructed facilities. If any portion of the facilities subject to the replacement charge fails, service will not be restored until notification is provided in writing that replacement is required and such replacement is ordered.

(e) Rearrangement Charge

If the Telephone Company is requested to rearrange existing specially constructed facilities, a nonrecurring charge equal to the cost of any additional special construction will apply.

(f) Special Construction of Facilities for Use for Less Than One Month

When the Telephone Company is requested to construct facilities to provide service for less than one month, a nonrecurring charge only

**ACCESS SERVICE**

12. SPECIAL CONSTRUCTION (Cont'd)

12.1 Regulations (Cont'd)

12.1.6 Liabilities and Charges for Special Construction (Cont'd)

(D) Types of Liabilities and Charges (Cont'd)

(1) Nonrecurring Charge (Cont'd)

(f) Special Construction of Facilities for Use for less Than One Month (Cont'd)

applies. In addition to the case preparation charge component, this nonrecurring charge recovers all elements of cost, including engineering, shipping of equipment, equipment installation, line-up, equipment leasing, space rental, equipment removal, and any other costs associated with the construction of the facilities.

(2) Maximum Termination Liability and Termination Charge

A Maximum Termination Liability is equal to the nonrecoverable costs associated with specially constructed facilities and is the maximum amount which could be applied as a Termination Charge if all specially constructed facilities were discontinued before the Maximum Termination Liability expires.

The liability period is equal to the average life of the account associated with the specially constructed

**ACCESS SERVICE**

12. SPECIAL CONSTRUCTION (Cont'd)

12.1 Regulations (Cont'd)

12.1.6 Liabilities and Charges for Special Construction (Cont'd)

(D) Types of Liabilities and Charges (Cont'd)

(2) Maximum Termination Liability and Termination Charge (Cont'd)

facilities. The liability period is generally expressed in terms of an effective and expiration date.

The Maximum Termination Liability is filed with the initial Price List filing in decreasing amounts at ten-year intervals over the average account life of the facilities. In the event that the average account life of the facilities is not an even multiple of ten, the last increment will reflect the appropriate number of years remaining.

Example Illustrating a 27-Year Average Account Life

<u>Maximum Termination Liability</u>	<u>Effective Date</u>	<u>Expiration Date</u>
\$10,000	6/1/84	6/1/94
7,000	6/1/94	6/1/04
3,000	6/1/04	6/1/11

**ACCESS SERVICE**

12. SPECIAL CONSTRUCTION (Cont'd)

12.1 Regulations (Cont'd)

12.1.6 Liabilities and Charges for Special Construction (Cont'd)

(D) Types of Liabilities and Charges (Cont'd)

(2) Maximum Termination Liability and Termination Charge (Cont'd)

Prior to the expiration of each liability period, the customer has the option to (A) terminate the special construction case and pay the appropriate charges, or (B) extend the use of the specially constructed facilities for the new liability period.

The Telephone Company will notify the customer six months in advance of the expiration date of each ten-year liability period. The customer must provide the Telephone Company with written notification at least 30 days prior to the expiration of the liability period if termination is elected. Failure to do so will result in an automatic extension of the special construction case to the next liability period at the filed Maximum Termination Liability amount.

A Termination Charge may apply when all services using specially constructed facilities that have a Price Listed Maximum Termination Liability are discontinued prior to the expiration of the liability period. The charge reflects the unamortized portion of the nonrecoverable costs at the time of termination, adjusted for net salvage and possible reuse. Administrative costs associated with the

**ACCESS SERVICE**

12. SPECIAL CONSTRUCTION (Cont'd)

12.1 Regulations (Cont'd)

12.1.6 Liabilities and Charges for Special Construction (Cont'd)

(D) Types of Liabilities and Charges (Cont'd)

(2) Maximum Termination Liability and Termination Charge (Cont'd)

specific case of special construction and any cost for restoring a location to its original condition are also included. A Termination Charge may never exceed the filed Maximum Termination Liability.

A partial termination of specially constructed facilities will be provided, at the election of the customer. The amount of the Termination Charge associated with such partial termination is determined by multiplying the termination charge which would result if all services using the specially constructed facilities were discontinued, at the time partial termination is elected, by the percentage of specially constructed facilities to be partially terminated. A Price List filing will be made following a partial termination to list remaining Maximum Termination Liability amounts and the number of specially constructed facilities for which the customer will remain liable.

**ACCESS SERVICE**

12. SPECIAL CONSTRUCTION (Cont'd)

12.1 Regulations (Cont'd)

12.1.6 Liabilities and Charges for Special Construction (Cont'd)

(D) Types of Liabilities and Charges (Cont'd)

(2) Maximum Termination Liability and Termination Charge (Cont'd)

Example:

A customer with a filed Maximum Termination Liability of \$100,000 for 3600 specially constructed facilities requests a partial termination of 900 facilities. The Termination Charge for all facilities, at the time of election, is \$60,000. The partial termination charge, in this example, is  $\$60,000 \times 900/3600$ , or \$15,000.

(3) Annual Underutilization Liability and Underutilization Charge

Prior to the start of special construction, the Telephone Company and the customer will agree on the quantity of facilities to be provided, and the length of the planning period during which the customer expects to place the facilities in service. The planning period is hereinafter referred to as the Initial Liability Period (ILP). The ILP is listed in the Price List with an effective and expiration date.

**ACCESS SERVICE**

12. SPECIAL CONSTRUCTION (Cont'd)

12.1 Regulations (Cont'd)

12.1.6 Liabilities and Charges for Special Construction (Cont'd)

(D) Types of Liabilities and Charges (Cont'd)

(3) Annual Underutilization Liability and Underutilization Charge  
(Cont'd)

Underutilization occurs only if, at the expiration date of the ILP and annually thereafter, less than 70 percent of the specially constructed facilities are in service at filed Price List service rates.

An annual underutilization liability amount is filed on a per unit basis (e.g., per cable pair) for each case of special construction. This amount is equal to the annual per unit cost and includes depreciation, maintenance, administration, return, taxes and any other costs identified in the supporting documentation provided at the time the special construction case is filed.

Upon the expiration of the ILP, the number of underutilized facilities, if any, is multiplied by the annual underutilization liability amount. This product is then multiplied by the number of years (including any fraction thereof) in the ILP to determine the underutilization charge.

**ACCESS SERVICE**

12. SPECIAL CONSTRUCTION (Cont'd)

12.1 Regulations (Cont'd)

12.1.6 Liabilities and Charges for Special Construction (Cont'd)

(D) Types of Liabilities and Charges (Cont'd)

(3) Annual Underutilization Liability and Underutilization Charge  
(Cont'd)

Annually thereafter, the number of underutilized facilities, if any, existing on the anniversary of the ILP expiration date will be multiplied by the annual underutilization liability amount to determine the under-utilization charge for the preceding 12-month period.

Example:

A customer orders 100 services and the special construction of a 600 pair building riser cable is agreed to, based on the customer's 5-year facility requirements. The ILP, in this example, would be filed at 5 years. The annual underutilization liability is filed at \$2.00 per pair. If 400 pairs were in service at the end of the ILP, there would be an underutilization of 20 pairs, i.e.,  $420$  (70% of 600) -  $400 = 20$ . The total underutilization charge for the first 5 years would be \$200.00, or \$2.00 per pair x 20 pairs x 5 years.

If 420 pairs are in service at the end of the sixth year, there is no underutilization, i.e.,  $420 - 420 = 0$ .



**ACCESS SERVICE**

12. SPECIAL CONSTRUCTION (Cont'd)

12.1 Regulations (Cont'd)

12.1.6 Liabilities and Charges for Special Construction (Cont'd)

(D) Types of Liabilities and Charges (Cont'd)

(4) Recurring Monthly Charges

(a) Charge for Route or Type other than Normal

When special construction is requested using a route or type of facility other than that which the Telephone Company would normally use, a recurring monthly charge, in addition to the monthly rates for service, is applicable. The charge is equal to the difference between the recurring costs of the specially constructed facilities and the recurring costs of the facilities the Telephone Company would have normally used.

- (i) When an Optional Payment Charge as set forth in 12.1.6(D)(1)(c) preceding has been elected, the recurring monthly charge will be reduced to include specially constructed facility operating expenses only.
- (ii) If the actual cost option as set forth in 12.1.6(C) preceding has been elected, the recurring charge will be adjusted to reflect the actual cost of the new construction when the costs have been determined. This adjusted recurring charge is applicable from the start of service.

**ACCESS SERVICE**

12. SPECIAL CONSTRUCTION (Cont'd)

12.1 Regulations (Cont'd)

12.1.6 Liabilities and Charges for Special Construction (Cont'd)

(D) Types of Liabilities and Charges (Cont'd)

(5) Lease Charge

This charge applies when the Telephone Company leases equipment in order to meet service requirements. The amount of the charge is equal to the net added cost to the Telephone Company caused by the lease.

(6) Cancellation Charge

If a service order with which special construction is associated is cancelled prior to the start of service, a cancellation charge will apply. The charge will include all nonrecoverable costs incurred by the Telephone Company in association with the special construction up to and including the time of cancellation.

12.1.7 Deferral of Start of Service

The Telephone Company may be requested to defer the start of service which will use specially constructed facilities subject to the provisions set forth in the service Price List under which service is being provided. Requests for special construction deferral must be in writing and are subject to the following regulations:

**ACCESS SERVICE**

12. SPECIAL CONSTRUCTION (Cont'd)

12.1 Regulations (Cont'd)

12.1.7 Deferral of Start of Service (Cont'd)

(A) Construction Has Not Begun

If the Telephone Company has not incurred any installation costs before receiving a request for deferral, no charge applies.

(B) Construction Has Begun

If the construction of facilities has begun before the Telephone Company receives a request for deferral, charges will vary as follows:

(1) All Services are Deferred

When all services which will use specially constructed facilities are deferred, a charge based on the costs incurred by the Telephone Company during each month of the deferral will apply. Those costs include the recurring costs for that portion of the facilities already completed and any other costs associated with the deferral. The cost of any components of the nonrecurring charge which have been completed at the time of deferral will also apply.

**ACCESS SERVICE**

<p>12. <u>SPECIAL CONSTRUCTION</u> (Cont'd)</p> <p>12.1 <u>Regulations</u> (Cont'd)</p> <p>12.1.7 <u>Deferral of Start of Service</u> (Cont'd)</p> <p>(B) <u>Construction Has Begun</u> (Cont'd)</p> <p>(2) <u>Some Services are Deferred</u></p> <p>When some services which will use the specially constructed facilities are deferred, the construction case will be completed and all special construction charges will apply.</p> <p>(C) <u>Construction Complete</u></p> <p>If the construction of facilities has been completed before the Telephone Company receives a request for deferral, all special construction charges will apply.</p> <p>12.1.8 <u>Charges to Provide Permanent Facilities</u></p> <p>This section contains special construction charges to provide permanent facilities. Charges are developed on an individual case basis and are filed following:</p> <table border="0"> <thead> <tr> <th style="text-align: left;"><u>Case No.</u></th> <th style="text-align: left;"><u>Telephone Co./ Customer Name</u></th> <th style="text-align: left;"><u>Description</u></th> <th style="text-align: left;"><u>Charge/ Liability</u></th> <th style="text-align: left;"><u>Effective Date</u></th> <th style="text-align: left;"><u>Expiration Date</u></th> </tr> </thead> <tbody> <tr> <td> </td> <td> </td> <td> </td> <td> </td> <td> </td> <td> </td> </tr> </tbody> </table>	<u>Case No.</u>	<u>Telephone Co./ Customer Name</u>	<u>Description</u>	<u>Charge/ Liability</u>	<u>Effective Date</u>	<u>Expiration Date</u>							
<u>Case No.</u>	<u>Telephone Co./ Customer Name</u>	<u>Description</u>	<u>Charge/ Liability</u>	<u>Effective Date</u>	<u>Expiration Date</u>								

**ACCESS SERVICE**

14. MILEAGE MEASUREMENT

14.1 General Description

The Telephone Company will provide Mileage Measurement and Serving Wire Center V and H coordinates for Local Access and Transport Areas (LATAs) and Market Areas (MAs) necessary to compute the mileage on which certain Access Service rates are based.

14.2 Mileage Measurement

The methods utilized for the determination of Mileage Measurement and Serving Wire Center V and H Coordinates for Local Access and Transport Areas (LATAs) and Market Areas (MAs) are the same as those set forth in the NATIONAL EXCHANGE CARRIER ASSOCIATION Tariff FCC No. 4.

**ACCESS SERVICE**

15. COIN SERVICES

15.1 General

This section contains the rules and regulations pertaining to the provision of 1+ Coin Presubscription Service for the handling of 1+ interLATA sent-paid traffic from the Telephone Company's pay telephones.

15.2 Service Description

1+ Coin Presubscription Service provides the routing of 1+ interLATA sent-paid calls from Telephone Company pay telephones to the presubscribed O+ Interexchange Carrier (customer) directly, to its designated secondary service provider, or to the default carrier, provided said carrier continues to accept such default traffic. The default carrier option will expire when the default carrier ceases to accept such traffic or when the presubscribed O+ provider is able to handle such calls or route them to a secondary service provider, whichever comes first. The customer has the following options:

- to receive both 0+ and 1+ interLATA calls originated from Telephone Company pay telephones; or,
- to receive the 0+ interLATA calls and select one secondary service provider per LATA to receive the 1+ interLATA sent-paid traffic; or
- to receive the 0+ interLATA calls and continue to default the 1+ interLATA sent-paid calls until the presubscribed O+ provider is ready to handle (to receive both 0+ and 1+ interLATA calls or to receive 0+ interLATA calls and select a secondary service provider per LATA for 1+ interLATA calls) such calls.

**ACCESS SERVICE**

15. COIN SERVICES (Cont'd)

15.2 Service Description (Cont'd)

The customer is solely responsible for all 0+ and 1+ interLATA calls originating from the Telephone Company pay telephone when it handles 1+ interLATA sent-paid traffic or selects a secondary service provider to handle the 1+ interLATA sent-paid calls.

The Telephone Company must receive written authorization from the customer prior to routing 1+ interLATA sent-paid calls to the selected secondary service provider. If the customer selects a secondary service provider to handle 1+ interLATA sent-paid traffic, any arrangements will be solely between the customer and its selected secondary service provider.

15.3 Service Provisioning

The Telephone Company will provide 1+ interLATA sent-paid access from equal access end offices to the customer designated location via direct routed trunks from the end office or via its access tandem.

The Telephone Company will provide, where available, either of two types of call setup signaling from its pay telephone, Tandem Access InterLATA Sent-Paid (TAISP) and Exchange Access Operator Services System (EAOSS) signaling from the access tandem to the customer designated location. If the equal access end office is equipped with either TAISP or EAOSS functionality, TAISP or EAOSS signaling can be provided via direct trunking from the end office or via the access tandem to the customer designated location at the customer's option. If the equal access end office is equipped with only Modified Operator Service Signaling (MOSS) functionality, only MOSS will be provided for direct trunking from the end office to the customer designated location.

**ACCESS SERVICE**

15. COIN SERVICES (Cont'd)

15.3 Service Provisioning (Cont'd)

Coin control signaling will be either Expanded In-band or Multi-wink as determined by the Telephone Company. In some areas, both types are present and for these locations it will be necessary for the customer to utilize separate trunk groups for the two types.

15.4 Collection and Remittance of Coin Station Monies

When the customer is provided Operator Trunk-Coin or Combined Coin and Non-Coin or Operator Trunk-Full Feature Optional Features for sent-paid pay telephone access as set forth in Section 6, the Telephone Company will collect sent-paid monies from pay telephone stations and will remit monies to the customer as set forth in 15.6.4. Upon request from the customer the Telephone Company will provide message call detail format and bill periods used to determine the monies.

15.5 Provision of Message Call Detail Concerning Coin Station Monies

Where Operator Trunk-Coin or Combined Coin and Non-Coin or Operator Trunk-Full Feature Optional Features for sent-paid pay telephone access is provided to the customer and the customer wishes to receive the monies it is due for the monies collected by the Telephone Company from coin pay telephone stations, the customer shall furnish to the Telephone Company, at a location specified by the Telephone Company, the customer message call detail for the customer sent-paid (coin) pay telephone calls in accordance with the Telephone Company collection schedule. The customer message call detail furnished shall be in a standard format established by the Telephone Company. The Telephone Company will provide to the customer the precise details of the required standard format. If, in the course of Telephone Company business, it is necessary to change the standard format, the Telephone



**ACCESS SERVICE**

15. COIN SERVICES (Cont'd)

15.5 Provision of Message Call Detail Concerning Coin Station Monies (Cont'd)

Company will provide notification to the involved customer six months prior to the change. If no customer message call detail is received from the customer for each bill period established by the Telephone Company, the Telephone Company will assume there were no customer sent-paid (coin) pay telephone calls for the period. In addition the customer shall furnish a schedule of its charges for sent-paid (coin) calls to the Telephone Company at a location and date as specified by the Telephone Company. Any change in the customer's schedule of charges shall be furnished to the Telephone Company one day after the change becomes effective.

15.6 Payment of Coin Sent-Paid Monies

The Telephone Company will collect the monies from coin pay telephone stations and determine the amount due to the customer for the sent-paid pay telephone access as set forth in Section 6, as follows:

15.6.1 Bill Period Coin Revenue

The Telephone Company will establish a collection schedule for each coin pay telephone station and will collect the monies from the coin pay stations based on this collection schedule. The monies collected based on this schedule during each bill period established by the Telephone Company will be identified by coin pay telephone station and summed to develop the Bill Period Coin Revenue for each coin record day (i.e., the day a record is prepared and dated to show the amount due the customer).

**ACCESS SERVICE**

15. COIN SERVICES (Cont'd)

15.6 Payment of Coin Sent-Paid Monies (Cont'd)

15.6.2 Total Customer Coin Revenue

The intrastate Total Customer Coin Revenue will be determined by the Telephone Company based on the customer message call detail received from the customer for each bill period and the customer's schedule of charges for sent-paid coin calls. Such Total Customer Coin Revenue will be developed each coin record day.

15.6.3 Recourse Adjustments

For each coin record day, the Telephone Company will subtract from the Total Customer Coin Revenue an amount for coin station shortages. Coin Station shortages are amounts resulting from unauthorized calling at coin pay telephone stations, use of unauthorized coins (i.e., foreign coins, slugs and improper use of US. pennies), unauthorized removal of coins from coin pay telephone stations and coin refunds beyond the Telephone Company's control. Such amount will be rounded to the nearest penny. The shortage factor will be determined by dividing the yearly total coin shortage amount by the yearly total coin revenue amount (i.e., total coin revenue equals the coin revenue due under exchange Price Lists, state toll Price Lists, and interstate toll Price Lists). The total coin shortage amount and the total revenue amount will be determined by the Telephone Company through an annual special study.

**ACCESS SERVICE**

15. COIN SERVICES (Cont'd)

15.6 Payment of Coin Sent-Paid Monies (Cont'd)

15.6.4 Payment of Net Customer Coin Revenue

The Telephone Company will determine the Net Customer Coin Revenue for each coin record day by subtracting from the Total Customer Coin Revenue determined, as set forth in 15.6.2 the amount for coin station shortages, determined as set forth in 15.6.3. On the payment date that is determined by adding 45 days to the coin record day, the Telephone Company will remit payment to the customer for the Net Customer Coin Revenue.

15.6.5 Audit Provisions

Upon reasonable written notice by the customer to the Telephone Company, the customer shall have the right through its authorized representative to examine and audit all such records and accounts as recognized under accounting practices as containing information bearing upon the determination of the amount payable to the customer. This examination shall occur during normal business hours and at reasonable intervals as determined by the Telephone Company. Adjustments shall be made by the proper party to compensate for any errors or omissions disclosed by such examination or audit. Neither such right to examine and audit nor the right to receive such adjustment shall be affected by any statement to the contrary, appearing on checks or otherwise unless such statement expressly waiving such right appears in a letter signed by the authorized representative of the party having such right and delivered to the other party.

**ACCESS SERVICE**

15. COIN SERVICES (Cont'd)

15.6 Payment of Coin Sent-Paid Monies (Cont'd)

15.6.5 Audit Provisions (Cont'd)

All information received or reviewed by the customer or its authorized representative is to be considered confidential and is not to be distributed, provided or disclosed in any form to anyone not involved in the audit, nor is such information to be used for any other purpose.

**ACCESS SERVICE**

15. COIN SERVICES (Cont'd)

15.6 Payment of Coin Sent-Paid Monies (Cont'd)

15.6.5 Audit Provisions (Cont'd)

All information received or reviewed by the customer or its authorized representative is to be considered confidential and is not to be distributed, provided or disclosed in any form to anyone not involved in the audit, nor is such information to be used for any other purpose

**ACCESS SERVICE**

16. Reserved for future use.	
------------------------------	--

**ACCESS SERVICE**

17. Reserved for future use.	
------------------------------	--

**ACCESS SERVICE**

18. Reserved for future use.	
------------------------------	--



**ACCESS SERVICE**

19. Reserved for future use.	
------------------------------	--

**ACCESS SERVICE**

20. <u>RATES AND CHARGES</u>		
20.1 <u>Switched Access</u>		
20.1.1 <u>Carrier Common Line Access Service</u>		
		<u>Rate Per Access Minute</u>
	(A) Originating Non-8YY	\$0.02576
	Surcharge for recovery of IntraLATA Equal Access	
	<u>Conversion costs</u>	<u>\$0.00137</u>
	Total Charge per Originating Non-8YY minute	\$0.02713
	(B) Terminating	\$0.00
20.1.2 <u>Rate Exceptions</u>		
Regulations concerning Switched Access are set forth in Section 6 proceeding.		
	Exceptions to Switched Access rates listed in the Telephone Company's Interstate tariff are as follows:	<u>Originating</u> <u>Terminating</u> <sup>26</sup> <u>Non-8YY</u>
	<b>** LOCAL SWITCHING SERVICE CATEGORY **</b>	
	Local Switching (LS1)	\$0.04334810    26
	Local Switching (LS2)	\$0.04334810    26
	Transitional (LS) NPREM Terminating	\$0.04334810    26
	Network Blocking - per Blocked Call	\$0.0080
	<b>** INTERCONNECTION CATEGORY **</b>	
	Interconnection Charge	\$.09573957    26

<sup>26</sup> See ZiPLY Fiber FCC Tariff No. 1 for Originating 8YY and Terminating rates.

**ACCESS SERVICE**

20.	<u>RATES AND CHARGES</u> (Cont'd)			
20.1	<u>Switched Access</u> (Cont'd)			
20.1.3	<u>Reserved For Future Use</u>			
20.2	<u>Special Access Service</u>			
20.2.1	<u>Metallic Service</u>			
	Regulations concerning Metallic Service are set forth in Section 7 preceding.			
		<u>USOC</u>	<u>Monthly Rate</u>	<u>Nonrecurring Charge</u>
(A)	<u>Circuit Termination</u>			
	- Per Point of Termination	TMECS	\$ 15.99	\$ 80.02
		<u>USOC</u>	<u>Monthly Rate</u>	
			<u>Fixed</u>	<u>Per Mile</u>
(B)	<u>Circuit Mileage</u>	1L5XX	None	\$ 5.21

**ACCESS SERVICE**

20. <u>RATES AND CHARGES</u> (Cont'd)				
20.2 <u>Special Access Service</u> (Cont'd)				
20.2.1 <u>Metallic Service</u> (Cont'd)				
		<u>USOC</u>	<u>Monthly Rate</u>	<u>Nonrecurring Charge</u>
(C)	<u>Optional Features and Functions</u>			
(1)	<u>Bridging</u>			
(a)	Three Premises Bridging			
	- Per port	BCNM3	\$ 4.03	None
(b)	Series Bridging			
	- Per port	BCNMS	4.03	None
20.2.2 <u>Telegraph Grade Service</u>				
Regulations concerning Telegraph Grade Service are set forth in Section 7 preceding.				
		<u>USOC</u>	<u>Monthly Rate</u>	<u>Nonrecurring Charge</u>
(A)	<u>Circuit Termination</u>			
	- Per Point of Termination			
	- Two-Wire	TME2X	\$18.64	\$ 80.02
	- Four-Wire	TME4X	29.82	80.02
			<u>Monthly Rate</u>	
		<u>USOC</u>	<u>Fixed</u>	<u>Per Mile</u>
(B)	<u>Circuit Mileage</u>	1L5XX	\$31.54	\$ 1.70

**ACCESS SERVICE**

20. <u>RATES AND CHARGES</u> (Cont'd)				
20.2 <u>Special Access Services</u> (Cont'd)				
20.2.2 <u>Telegraph Grade Service</u> (Cont'd)				
	<u>USOC</u>	<u>Monthly Rate</u>	<u>Nonrecurring Charge</u>	
(C) <u>Optional Features and Functions</u>				
(1) Telegraph Bridging Two-Wire and Four Wire				
			- Per port	
			- Two-Wire	
	BCNT2	\$ 4.03	None	
			- Four-Wire	
	BCNT4	4.03	None	
20.2.3 <u>Voice Grade Service</u>				
Regulations concerning Voice Grade Service are set forth in Section 7 preceding.				
	<u>USOC</u>	<u>Monthly Rate</u>	<u>Nonrecurring Charge</u>	
(A) <u>Circuit Termination</u>				
- Per Point of Termination				
			- Two-Wire	
	TME2X	\$25.03	\$150.00	
			- Four-Wire	
	TME4X	40.05	150.00	
			<u>Monthly Rate</u>	
	<u>USOC</u>	<u>Fixed</u>	<u>Per Mile</u>	
(B) <u>Circuit Mileage</u>				
	1L5XX	\$40.00	\$ 3.96	

**ACCESS SERVICE**

20. <u>RATES AND CHARGES</u> (Cont'd)				
20.2 <u>Special Access Service</u> (Cont'd)				
20.2.3 <u>Voice Grade Service</u> (Cont'd)				
(C) <u>Optional Features and Functions</u>				
		<u>USOC</u>	<u>Monthly Rate</u>	<u>Nonrecurring Charge</u>
(1)	<u>Bridging</u>			
	(a) <u>Voice Bridging</u>			
	Two-Wire/Four-Wire			
	- Per port			
	- Two-Wire	BCNV2	\$ 4.03	None
	- Four-Wire	BCNV4	4.03	None
	(b) <u>Data Bridging</u>			
	Two-Wire/Four-Wire			
	- Per Port			
	- Two-Wire	BCND2	4.03	None
	- Four-Wire	BCND4	4.03	None
	(c) <u>Telephone Bridging</u>			
	Two-Wire/Four-Wire			
	- Per Port			
	- Two-Wire	BCNF2	4.03	None
	- Four-Wire	BCNF4	4.03	None

**ACCESS SERVICE**

20. <u>RATES AND CHARGES</u> (Cont'd)				
20.2 <u>Special Access Service</u> (Cont'd)				
20.2.3 <u>Voice Grade Service</u> (Cont'd)				
(C) <u>Optional Features and Functions</u> (Cont'd)				
		<u>USOC</u>	<u>Monthly Rate</u>	<u>Nonrecurring Charge</u>
(1)	<u>Bridging</u> (Cont'd)			
	(d) <u>DATAPHONE Select-A Station Bridging</u>			
	Sequential Arrangement Ports			
	- Per 2-Wire circuit connected	DQ2	\$22.41	None
	- Per 4-Wire circuit connected	DQ4	119.00	None
	Addressable Arrangement Ports			
	- Per 2-Wire circuit connected	KQ2	24.03	None
	- Per 4-Wire circuit connected	KQ4	122.33	None

**ACCESS SERVICE**

20. <u>RATES AND CHARGES</u> (Cont'd)				
20.2 <u>Special Access Service</u> (Cont'd)				
20.2.3 <u>Voice Grade Service</u> (Cont'd)				
(C) <u>Optional Features and Functions</u> (Cont'd)				
		<u>USOC</u>	<u>Monthly Rate</u>	<u>Nonrecurring Charge</u>
(1)	<u>Bridging</u> (Cont'd)			
	(e) <u>Telemetry and Alarm Bridging</u>			
	Active Bridging Circuit Connections			
	Split Band - Per circuit connected	CNLRX	\$ 8.49	None
	Summation - Per circuit connected	BCNSA	1.45	None
	Passive Bridging Circuit Connections - Per circuit connected	BCNTP	0.21	None



**ACCESS SERVICE**

20. <u>RATES AND CHARGES</u> (Cont'd)				
20.2 <u>Special Access Service</u> (Cont'd)				
20.2.3 <u>Voice Grade Service</u> (Cont'd)				
(C) <u>Optional Features and Functions</u> (Cont'd)				
		<u>USOC</u>	<u>Monthly Rate</u>	<u>Nonrecurring Charge</u>
(2)	<u>Conditioning</u>			
	- Per Point of Termination			
	C - Type	X1CPT	\$ 6.01	None
	Sealing Current	1HBPT	None	None
(3)	<u>Improved Return Loss for Effective Four-Wire Transmission</u>			
	- Per point of termination			
	- Two-Wire	1RL2W	1.78	None
	- Four-Wire	1RL4W	1.78	None
(4)	<u>Customer Specified Receive Level</u>			
	- Per two-wire point of termination	RLS	None	None
(5)	<u>Multiplexing</u>			
	Voice to Telegraph Grade			
	- Per arrangement	MQX	228.82	None

**ACCESS SERVICE**

20. <u>RATES AND CHARGES</u> (Cont'd)				
20.2 <u>Special Access Service</u> (Cont'd)				
20.2.3 <u>Voice Grade Service</u> (Cont'd)				
(C) <u>Optional Features and Functions</u> (Cont'd)				
		<u>USOC</u>	<u>Monthly Rate</u>	<u>Nonrecurring Charge</u>
(6)	<u>Data Capability</u>			
	- Per point of termination	XDCPT	\$ 1.34	\$234.00
(7)	<u>Telephoto Capability</u>			
	- Per point of termination	XTCPT	2.97	234.00
(8)	<u>Signaling Capability</u>			
	- Per point of termination	XSS++	13.87	None
	- In lieu of ++, substitute appropriate two digit code from following list to specify type of signaling.			
	AB	GS		
	AC	LA		
	CT	LB		
	DX	LC		
	DY	LO		
	EA	LR		
	EB	LS		
	EC	RV		
	EX	SF		
	GO			

**ACCESS SERVICE**

20. <u>RATES AND CHARGES</u> (Cont'd)			
20.2 <u>Special Access Service</u> (Cont'd)			
20.2.3 <u>Voice Grade Service</u> (Cont'd)			
(C) <u>Optional Features and Functions</u> (Cont'd)			
	<u>USOC</u>	<u>Monthly Rate</u>	<u>Nonrecurring Charge</u>
(9) <u>Selective Signaling Arrangement</u> - Per arrangement	USZ	\$14.83	None
(10) <u>Transfer Arrangement</u> (key activated <sup>27</sup> or dial up <sup>28</sup> ) - Per four port arrangement including control circuit termination <sup>29</sup>	USY	3.17	None
- Per five port arrangement including control circuit termination <sup>27</sup>	US5	7.23	None

<sup>27</sup> The key activated control circuit is rated as a Metallic Circuit Termination (use USOC T6EME in lieu of T6ECS) and Circuit Mileage, if applicable (use USOC 1L5MX in lieu of 1L5XX).

<sup>28</sup> The Dial-up option requires the customer to purchase the Controller Arrangement (USOC XTDDU) from Section 11.3.7 preceding.

<sup>29</sup> An additional Circuit Termination charge will apply whenever a spare circuit is configured as a leg to the customer's premises. Additional circuit mileage charges will also apply when the transfer arrangement is not located in the customer premises serving wire center.

**ACCESS SERVICE**

20. <u>RATES AND CHARGES</u> (Cont'd)						
20.2 <u>Special Access Service</u> (Cont'd)						
20.2.4 <u>Program Audio Service</u>						
Regulations concerning Program Audio Service are set forth in Section 7 preceding.						
		<u>USOC</u>	<u>Monthly Rate</u>	<u>Daily Rate</u>	<u>Nonrecurring Charge</u>	
					<u>Monthly</u>	<u>Daily</u>
(A) <u>Circuit Termination</u>						
-Per Point of Termination						
		TMECS	\$20.66	\$ 2.07	\$51.94	\$51.94
		TMECS	39.38	4.00	51.94	51.94
		TMECS	38.94	3.90	51.94	51.94
		TMECS	60.50	6.05	51.94	51.94
			<u>Monthly Rate</u>	<u>Daily Rate<sup>30</sup></u>		
		<u>USOC</u>	<u>Fixed</u>	<u>Per Mile</u>	<u>Fixed</u>	<u>Per Mile</u>
(B) <u>Circuit Mileage</u>						
(1)	200 to 3500 Hz	1L5XX	\$30.87	\$ 3.03	\$ 3.08	\$ .31
(2)	100 to 5000 Hz	1L5XX	32.55	4.89	3.25	.49
(3)	50 to 8000 Hz	1L5XX	35.85	6.51	3.59	.65
(4)	50 to 15000 Hz	1L5XX	46.96	12.01	4.70	1.20

<sup>30</sup> Daily rates will be topped and maximum rates derived as set forth in 7.3.1(B) preceding.

**ACCESS SERVICE**

20. <u>RATES AND CHARGES</u> (Cont'd)					
20.2 <u>Special Access Service</u> (Cont'd)					
20.2.4 <u>Program Audio Service</u> (Cont'd)					
(C) <u>Optional Features and Functions</u>					
	<u>USOC</u>	<u>Monthly Rate</u>	<u>Daily<sup>31</sup> Rate</u>	<u>Nonrecurring Charge</u> <u>Monthly</u> <u>Daily</u>	
(1) <u>Bridging, Distribution</u>					
- Per Port	BCNPT	<u>Amplifier</u> \$20.22	\$ 2.03	None	None
(2) <u>Gain Conditioning</u>					
- Per Service	XGC	6.01	.59	\$173.13	\$173.13
(3) <u>Stereo</u>					
- Per service	XSC	None	None	381.10	381.10

<sup>31</sup> Daily rates will be topped and maximum rates derived as set forth in 7.3.1 (B) preceding.

**ACCESS SERVICE**

20. <u>RATES AND CHARGES</u> (Cont'd)					
20.2 <u>Special Access Service</u> (Cont'd)					
20.2.5 <u>Video Service</u>					
Regulations concerning Video Service are set forth in Section 7 preceding.					
	<u>USOC</u>	<u>Rate</u>	<u>Monthly Rate</u>	<u>Daily<sup>32</sup> Monthly</u>	<u>Nonrecurring Charge Daily</u>
(A)	<u>Circuit Termination</u>				
	- Per Point of Termination				
	-TV-1 OR 2	TMEV1	\$406.43	\$223.53	None None
	- 4TV-5	TMEV4	396.53	218.09	None None
	- 6TV-5	TMEV6	421.34	231.74	None None
	- TV-15	TMEV5	437.33	240.53	None None
			<u>Monthly Rate</u>		<u>Daily Rate*</u>
	<u>USOC</u>		<u>Fixed</u>	<u>Per Mile</u>	<u>Fixed</u> <u>Per Mile</u>
(B)	<u>Circuit Mileage</u>	1L5XX	\$396.49	\$372.25	\$218.07 \$204.74

<sup>32</sup> Daily rates will be topped and maximum rates are filed as set forth in 7.3.1(B) preceding.

**ACCESS SERVICE**

20. <u>RATES AND CHARGES</u> (Cont'd)				
20.2 <u>Special Access Service</u> (Cont'd)				
20.2.6 <u>Wideband Analog Service</u>				
Regulations concerning Wideband Analog Service are set forth in Section 7.				
			Monthly	Non
				recurring
				Charge
		<u>USOC</u>	<u>Rate</u>	<u>Charge</u>
(A)	<u>Circuit Termination</u>			
	-Per Point of termination			
	- 60 kHz - 108 kHz	TWT++	ICB	ICB
	- 312 kHz - 552 kHz	TWT++	ICB	ICB
	- 564 kHz - 3084 kHz	TWT++	ICB	ICB
	- 300 kHz - 18 kHz	TWT++	ICB	ICB
	- 29 kHz - 44 kHz	TWT++	ICB	ICB
			<u>Monthly Rate</u>	
			<u>Fixed</u>	<u>Per Mile</u>
		<u>USOC</u>		
(B)	<u>Circuit Mileage</u>			
	(1) 60 kHz - 108 kHz	1LO++	None	None
	1LO++		ICB	ICB
	1LO++		ICB	ICB
	1LO++		ICB	ICB
	1LF++		ICB	ICB
	1LFO++		ICB	ICB
ICB rates and charges are filed in 7.4.1 preceding.				

**ACCESS SERVICE**

20. <u>RATES AND CHARGES</u> (Cont'd)			
20.2 <u>Special Access Service</u> (Cont'd)			
20.2.6 <u>Wideband Analog Service</u> (Cont'd)			
		<u>USOC</u>	<u>Monthly Rate</u>
			<u>Fixed</u> <u>Per Mile</u>
(B)	<u>Circuit Mileage</u> (Cont'd)		
	(2) 312 kHz - 552 kHz		
		1LO++	None      None
		1LO++	ICB      ICB
		1LO++	ICB      ICB
		1LO++	ICB      ICB
		1LO++	ICB      ICB
		1LO++	ICB      ICB
	(3) 564 kHz - 3084 kHz		
		1LO++	None      None
		1LO++	ICB      ICB
		1LO++	ICB      ICB
		1LO++	ICB      ICB
		1LO++	ICB      ICB
		1LO++	ICB      ICB
	(4) 300 Hz - 18 kHz		
		1LO++	None      None
		1LO++	ICB      ICB
		1LO++	ICB      ICB
		1LO++	ICB      ICB
		1LO++	ICB      ICB
		1LO++	ICB      ICB

ICB rates and charges are filed in 7.4.1 preceding.



**ACCESS SERVICE**

20. <u>RATES AND CHARGES</u> (Cont'd)			
20.2 <u>Special Access Service</u> (Cont'd)			
20.2.6 <u>Wideband Analog Service</u> (Cont'd)			
	<u>USOC</u>	<u>Monthly Rate</u>	
		<u>Fixed</u>	<u>Per Mile</u>
(B) <u>Circuit Mileage</u> (Cont'd)			
(5) 29 kHz - 44 kHz			
	1LO++	None	None
	1LO++	ICB	ICB
	1LO++	ICB	ICB
	1LO++	ICB	ICB
	1LO++	ICB	ICB
	1LO++	ICB	ICB
(C) <u>Optional Features and Functions</u>			
(1) <u>Multiplexing</u>			
(a) Mastergroup to Supergroup - Per arrangement	MQ9++	ICB	None
(b) Supergroup to Group- Per arrangement	MQS++	ICB	ICB
	None		
(c) Group to Voice - Per arrangement	MQV++	ICB	None
(d) Group to DS1 <sup>33</sup> - Per arrangement	MQG++	ICB	None

<sup>33</sup> Requires two 60-108 kHz Circuit Terminations and Circuit Mileage, one 1.544 Mbps Circuit Mileage and either a 1.544 Circuit Termination or a DS1 to Voice Multiplexing optional feature, depending on whether the service terminates at a customer's premises or was purchased as a facility, to a Telephone Company hub for multiplexing to Voice Grade.

**ACCESS SERVICE**

20. <u>RATES AND CHARGES</u> (Cont'd)			
20.2 <u>Special Access Service</u> (Cont'd)			
20.2.7 <u>Wideband Data Service</u>			
Regulations concerning Wideband Data Service are set forth in Section 7 preceding.			
		Monthly	Non
		Rate	recurring
	<u>USOC</u>		<u>Charge</u>
(A) <u>Circuit Termination</u>			
-Per Point of termination			
19.2 or 18.75 kbps	TWT++	ICB	ICB
50.0 or 40.8 kbps	TWT++	ICB	ICB
230.4 kbps	TWT++	ICB	ICB
		<u>Monthly Rate</u>	
	<u>USOC</u>	<u>Fixed</u>	<u>Per Mile</u>
(B) <u>Circuit Mileage</u>			
(1) 19.2 or 18.75 kbps			
	1LO++	None	None
	1LO++	ICB	ICB
	1LO++	ICB	ICB
	1LO++	ICB	ICB
	1LO++	ICB	ICB
	1LO++	ICB	ICB
	1LO++	ICB	ICB
(2) 50.0 or 40.8 kbps			
	1LO++	None	None
	1LO++	ICB	ICB
	1LO++	ICB	ICB
	1LO++	ICB	ICB
	1LO++	ICB	ICB
	1LO++	ICB	ICB

**ACCESS SERVICE**

20. <u>RATES AND CHARGES</u> (Cont'd)			
20.2 <u>Special Access Service</u> (Cont'd)			
20.2.7 <u>Wideband Data Service</u> (Cont'd)			
	<u>USOC</u>	<u>Monthly Rate</u>	
		<u>Fixed</u>	<u>Per Mile</u>
(B) <u>Circuit Mileage</u> (Cont'd)			
(3) 230.4 kbps			
	1LO++	None	None
	1LO++	ICB	ICB
	1LO++	ICB	ICB
	1LO++	ICB	ICB
	1LO++	ICB	ICB
	1LO++	ICB	ICB
		Monthly	Non
	<u>USOC</u>	<u>Rate</u>	<u>recurring</u>
			<u>Charge</u>
(C) <u>Optional Features and Functions</u>			
(1) <u>Key Activated Transfer Arrangement</u>			
- Per four port arrangement including control circuit termination <sup>34</sup>	UTK++	ICB	ICB
(D) <u>303 Data Station</u>			
- Per point of termination where provided	TDQ++	ICB	ICB

<sup>34</sup> The key activated control circuit is rated as a Metallic Circuit Termination (use USOC TMEME in lieu of TMECS) and Circuit Mileage, if applicable (use USOC 1L5MX in lieu of 1L5XX).

**ACCESS SERVICE**

20. <u>RATES AND CHARGES</u> (Cont'd)				
20.2 <u>Special Access Service</u> (Cont'd)				
20.2.8 <u>Digital Data Service</u>				
Regulations concerning Digital Data Service are set forth in Section 7 preceding.				
			Monthly	Non
			Rate	recurring
		<u>USOC</u>		<u>Charge</u>
(A)	<u>Circuit Termination</u>			
	-Per Point of termination			
	- 2.4 kbps	TMECS	\$ 73.90	\$156.24
	- 4.8 kbps	TMECS	73.90	156.24
	- 9.6 kbps	TMECS	73.90	156.24
	- 56.0 kbps	TMECS	108.54	236.47
			<u>Monthly Rate</u>	
			<u>Fixed</u>	<u>Per Mile</u>
(B)	<u>Circuit Mileage</u>	<u>USOC</u>		
	(1) 2.4 kbps	1L5XX	\$ 95.00	\$ 2.05
	(2) 4.8 kbps	1L5XX	95.00	2.05
	(3) 9.6 kbps	1L5XX	110.37	2.00
	(4) 56 kbps	1L5XX	210.00	3.72

**ACCESS SERVICE**

20. <u>RATES AND CHARGES</u> (Cont'd)			
20.2 <u>Special Access Service</u> (Cont'd)			
20.2.8 <u>Digital Data Service</u> (Cont'd)			
(C) <u>Optional Features and Functions</u>			
	<u>USOC</u>	<u>Monthly Rate</u>	<u>Non recurring Charge</u>
(1) <u>Bridging</u>			
- Per port	BCNDA	\$25.09	None
(2) <u>Loop Transfer Arrangement</u>			
(Key activated <sup>35</sup> or Dial-Up <sup>36</sup> )			
- Per four port arrangement <sup>37</sup>	XTD	6.29	None
(D) <u>Channel Service Unit</u> <sup>38</sup>			
- Per Point of Termination where provided			
- 2.4 kbps	TSH24	\$17.32	None
- 4.8 kbps	TSH48	18.52	None
- 9.6 kbps	TSH96	19.42	None
- 56.0 kbps	TSH56	20.24	None

<sup>35</sup> The key activated control is rated as a Metallic Circuit Termination (Use USOC T6EME in lieu of T6ECS) and Circuit Mileage, if applicable (Use USOC 1L5MX in lieu of 1L5XX).

<sup>36</sup> The Dial-Up option requires the customer to purchase the Controller Arrangement (USOC XTDDU) from Section 11.3.7 preceding.

<sup>37</sup> An additional Circuit Termination charge will apply whenever a spare circuit is configured as a leg to the customer's premises. Additional Circuit Mileage charges will also apply when the transfer arrangement is not located in the customer premises serving wire center.

<sup>38</sup> Channel Service Units will only be provided under Price List if they existed in the Telephone Company's inventory as of November 18, 1983

**ACCESS SERVICE**

20. <u>RATES AND CHARGES</u> (Cont'd)				
20.2 <u>Special Access Service</u> (Cont'd)				
20.2.9 <u>High Capacity Service</u>				
Regulations concerning High Capacity Service are set forth in Section 7 preceding.				
		<u>USOC</u>	<u>Monthly Rate</u>	<u>Non recurring Charge</u>
(A)	<u>Circuit Termination</u> -Per Point of termination			
	1.544 Mbps	TMECS	\$202.77	\$381.10
	3.152 Mbps	TWT++	ICB	ICB
	6.312 Mbps	TWT++	ICB	ICB
	44.736 Mbps	TWT++	ICB	ICB
	274.176 Mbps	TWT++	ICB	ICB
			<u>Monthly Rate</u>	
		<u>USOC</u>	<u>Fixed</u>	<u>Per Mile</u>
(B)	<u>Circuit Mileage</u>			
	(1) 64 kbps	1L5XX	\$ 16.55	\$ 1.20
	(2) 1.544 Mbps	1L5XX	165.92	29.72
	(3) 3.152 Mbps	1LO++	ICB	ICB
	(4) 6.312 Mbps	1LO++	ICB	ICB
	(5) 44.736 Mbps	1LO++	ICB	ICB
	(6) 274.176 Mbps	1LO++	ICB	ICB

**ACCESS SERVICE**

20. <u>RATES AND CHARGES</u> (Cont'd)				
20.2 <u>Special Access Service</u> (Cont'd)				
20.2.9 <u>High Capacity Service</u> (Cont'd)				
(C) <u>Optional Features and Functions</u>				
		<u>USOC</u>	<u>Monthly Rate</u>	<u>Non recurring Charge</u>
(1)	<u>Multiplexing</u>			
	DS4 to DS1 - Per arrangement	MXA++	ICB	None
	DS3 to DS1 - Per arrangement	MXB++	ICB	None
	DS2 to DS1 - Per arrangement	MXD++	ICB	None
	DS1C to DS1 - Per arrangement	MXH++	ICB	None
	DS1 to Voice <sup>39</sup> - Per arrangement	MQ1	\$335.69	None
	DS1 to DSO - Per arrangement	QMU	582.02	None

<sup>39</sup> A circuit of this DS1 to the Hub can be used for Digital Data service. ICB rates and charges are filed in 7.4.1 preceding.

**ACCESS SERVICE**

20.	<u>RATES AND CHARGES</u> (Cont'd)			
20.2	<u>Special Access Service</u> (Cont'd)			
20.2.9	<u>High Capacity Service</u> (Cont'd)			
(C)	<u>Optional Features and Functions</u> (Cont'd)			
	<u>USOC</u>	<u>Monthly Rate</u>	<u>Nonrecurring Charge</u>	
(1)	<u>Multiplexing</u> (Cont'd)			
	DSO to Subrates - Per arrangement			
	Up to 20 2.4 kbps services	QSU24	\$475.98	None
	Up to 10 4.8 kbps services	QSU48	245.33	None
	Up to 5 9.6 kbps services	QSU96	170.56	None
(2)	<u>Automatic Loop Transfer</u> - Per arrangement <sup>40</sup>			
		T59	409.92	None
(3)	<u>Transfer Arrangement</u> (key activated <sup>41</sup> or dial up <sup>42</sup> ) - Per four port arrangement, including control channel termination <sup>43</sup>			
		USV	174.19	None

<sup>40</sup> An additional Circuit Termination charge will apply whenever the spare line is provided as a leg to the customer premises

<sup>41</sup> The key activated control circuit is rated as a Metallic Circuit Termination (use USOC T6EME in lieu of T6ECS) and Circuit Mileage, if applicable (use USOC 1L5MX in lieu of 1L5XX).

<sup>42</sup> The Dial-up option requires the customer to purchase the Controller Arrangement (USOC XTDDU) from Section 11.3.7 following.

<sup>43</sup> An additional Circuit Termination charge will apply whenever a spare circuit is configured as a leg to the customer's premises. Additional circuit mileage charges will also apply when the transfer arrangement is not located in the customer premises serving wire center.



**ACCESS SERVICE**

20. <u>RATES AND CHARGES</u> (Cont'd)				
20.2 <u>Special Access Service</u> (Cont'd)				
20.2.9 <u>High Capacity Service</u> (Cont'd)				
		<u>USOC</u>	<u>Monthly Rate</u>	<u>Nonrecurring Charge</u>
(D)	<u>Network Channel Terminating Equipment (NCTE)</u> <sup>44</sup>			
	- Per point of termination where provided			
	- 1.544 Mbps	TN615	\$ 89.43	None
	- Automatic Loop Transfer	TN6AL	943.79	None
20.3 <u>Special Federal Government Access Services</u>				
20.3.1 <u>Voice Grade Special Access Service</u>				
	<u>Voice Grade Secure Communications</u>	<u>USOC</u>	<u>Monthly Rate</u>	<u>Nonrecurring Charge</u>
				<u>Termination Charge</u>
	Type I, each T-3 Conditioning,	GCA++	ICB rates and charges apply	
	Additional Conditioning, per service termination	GTO++	ICB rates and charges apply	
	Type II, each G-I Conditioning,	GCB++	ICB rates and charges apply	
	Type III, each G-2 Conditioning,	GCC++	ICB rates and charges apply	
	Additional Conditioning, per service termination	G20++	ICB rates and charges apply	

<sup>44</sup> NCTE will only be provided under Price List if it existed in the Telephone Company's inventory as of November 18, 1983.

**ACCESS SERVICE**

20.	<u>RATES AND CHARGES</u> (Cont'd)				
20.3	<u>Special Federal Government Access Services</u> (Cont'd)				
20.3.1	<u>Voice Grade Special Access Service</u> (Cont'd)				
	Voice Grade Secure <u>Communications</u>	<u>USOC</u>	Monthly <u>Rate</u>	Nonrecurring <u>Charge</u>	Termination <u>Charge</u>
	Type IV, each G-3 Conditioning,	GCD++	ICB rates and charges apply		
	Additional Conditioning, per service termination	G30++	ICB rates and charges apply		
20.3.2	<u>Wideband Digital Special Access Service</u>				
	Wideband Secure <u>Communications</u>	<u>USOC</u>	Monthly <u>Rate</u>	Nonrecurring <u>Charge</u>	Termination <u>Charge</u>
	Type I, each	GW1++	ICB rates and charges apply		
	Type II, each	GW2++	ICB rates and charges apply		
	Type III, each	GW3++	ICB rates and charges apply		

**ACCESS SERVICE**

20. <u>RATES AND CHARGES</u> (Cont'd)			
20.4 <u>Miscellaneous</u>			
20.4.1 <u>Additional Engineering and Labor</u>			
<u>Charges for Additional Engineering</u>			
		<u>USOC</u>	Each Half Hour or Fraction Thereof
(A)	Basic Time, normally scheduled working hours, per engineer	AEH	\$17.32
(B)	Overtime, outside of normally scheduled working hours, per engineer	AEH	20.55
<u>Charges for Additional Labor</u>			
(A)	<u>Installation or Repair</u>		
-	Overtime, outside of normally scheduled working hours on a scheduled work day per technician		
-	Premium Time, outside of scheduled work day per technician	ALH	16.60 <sup>45</sup>
		ALH	19.05 <sup>43</sup>

<sup>45</sup> A call-out of a Telephone Company employee at a time not consecutive with the employee's scheduled work period is subject to a minimum charge of four hours.

**ACCESS SERVICE**

20. <u>RATES AND CHARGES</u> (Cont'd)		
20.4 <u>Miscellaneous</u> (Cont'd)		
20.4.1 <u>Additional Engineering and Labor</u> (Cont'd)		
		Each Half Hour or Fraction <u>Thereof</u>
<u>Charges for Additional Labor</u> (Cont'd)	<u>USOC</u>	
(B) <u>Stand By</u>		
- Basic time, normally scheduled working hours per technician	ALT	\$14.15
- Overtime, outside of normally scheduled working hours on a scheduled work day per technician	ALT	16.60
- Premium Time, outside of scheduled work day per technician	ALT	19.05

**ACCESS SERVICE**

20. <u>RATES AND CHARGES</u> (Cont'd)				
20.4 <u>Miscellaneous</u> (Cont'd)				
20.4.1	<u>Additional Engineering and Labor</u> (Cont'd)		Each Half Hour or Fraction Thereof	
	<u>Charges for Additional Labor</u> (Cont'd)	<u>USOC</u>	<u>Installation and Repair Technician</u>	<u>Maintenance Technician</u>
	(C) <u>Maintenance with Other Telephone Companies, or Other Labor</u>			
	- Basic Time, normally scheduled working hours per technician	ALK	\$14.15	\$14.35 \$14.35
	- Overtime, outside of normally scheduled working hours on a scheduled work day, per technician	ALK	16.60 <sup>46</sup>	17.02 <sup>44</sup> 17.02 <sup>44</sup>
	- Premium Time, outside of scheduled work day per technician	ALK	19.05 <sup>44</sup>	19.70 <sup>44</sup> 19.70 <sup>44</sup>

<sup>46</sup> A call-out of a Telephone Company employee at a time not consecutive with the employee's scheduled work period is subject to a minimum charge of four hours.

**ACCESS SERVICE**

20. <u>RATES AND CHARGES</u> (Cont'd)		
20.4 <u>Miscellaneous</u> (Cont'd)		
20.4.2 <u>Standard Jacks - Registration Program</u>		
(A) <u>Standard Voice Jacks</u>		
	<u>USOC</u>	<u>Nonrecurring Charge</u>
(1) Miniature six-position jacks for connection of terminal equipment as follows:		
(a) Single line telephone set surface or flush mounted.		
	RJ11C	\$10.00
(b) Single line telephone sets wall mounted.		
	RJ11W	10.00
(c) Two-line nonkey telephone sets surface or flush mounted.		
	RJ14C	10.00
(d) Single-line bridged 4-wire exchange 2/RT, T1/R1.		
	RJ1DC	10.00
(e) Two-line nonkey telephone sets wall mounted.		
	RJ14W	10.00

**ACCESS SERVICE**

20. <u>RATES AND CHARGES</u> (Cont'd)			
20.4 <u>Miscellaneous</u> (Cont'd)			
20.4.2 <u>Standard Jacks - Registration Program</u> (Cont'd)			
(A) <u>Standard Voice Jacks</u> (Cont'd)			
	(1) (Cont'd)	<u>USOC</u>	<u>Nonrecurring Charge</u>
	(f) Special single line equipment for use in hospital critical care areas.	RJ17C	\$10.00
	(g) 9DB single line data equipment with mode indication and mode indication common leads. This jack is normally used in association with a series jack.	RJ16X	10.00
	(h) Three-line nonkey telephone sets and ancillary devices	RJ25C	49.00
	(2) 50 Position Miniature Ribbon for connection of multiline terminating equipment and channel derivation devices as follows:		

**ACCESS SERVICE**

20. <u>RATES AND CHARGES</u> (Cont'd)			
20.4 <u>Miscellaneous</u> (Cont'd)			
20.4.2 <u>Standard Jacks - Registration Program</u> (Cont'd)			
(A) <u>Standard Voice Jacks</u> (Cont'd)			
(2)	(Cont'd)	<u>USOC</u>	<u>Nonrecurring Charge</u>
(a)	For connection to 2-wire tie trunks E&M type I signaling. (12 line capacity)	RJ2EX	\$160.00
(b)	For connection to 4-wire tie trunks E&M type I signaling. (8 line capacity)	RJ2GX	160.00
(c)	For connection to 2-wire tie trunks E&M type II signaling. (8 line capacity)	RJ2FX	160.00
(d)	For connection to 4-wire tie trunks E&M type II signaling (6 line capacity)	RJ2HX	160.00
(e)	For connection to off-premises station lines. (25 line capacity)	RJ21X	160.00



**ACCESS SERVICE**

20. <u>RATES AND CHARGES</u> (Cont'd)			
20.4 <u>Miscellaneous</u> (Cont'd)			
20.4.2 <u>Standard Jacks - Registration Program</u> (Cont'd)			
(A) <u>Standard Voice Jacks</u> (Cont'd)			
	(2) (Cont'd)	<u>USOC</u>	<u>Nonrecurring Charge</u>
	(f) For use with series devices such as toll restrictors. (12 line capacity)	RJ71C	\$105.00
	(g) For connection of up to 12 line bridged 4-wire exchange 2/RT, T1/R1.	RJ2DX	100.00
	(3) Series Jacks for connection of terminal equipment as follows:		
	(a) Single line alarm reporting devices.	RJ31X	66.00
	(b) Series ancillary devices such as automatic dialers. Single line sets with exclusion.	RJ32X	66.00
	(c) Two line telephone sets with exclusion on one line.	RJ37X	66.00

**ACCESS SERVICE**

20. <u>RATES AND CHARGES</u> (Cont'd)		
20.4 <u>Miscellaneous</u> (Cont'd)		
20.4.2 <u>Standard Jacks - Registration Program</u> (Cont'd)		
(A) <u>Standard Voice Jacks</u> (Cont'd)		
	<u>USOC</u>	<u>Nonrecurring Charge</u>
(4) Weatherproof Jack for use with single line telephone sets used at locations such as boats and marinas.		
	RJ15C	\$120.00
(B) <u>Standard Data Jacks</u>		
(1) Universal Data Jack for use in connecting fixed loss loop (FLL) and programmed (P) types of data equipment. (1 line capacity)		
	RJ41S	65.00
(2) Programmed Data Jack for use in connecting programmed data equipment. (1 line capacity)		
	RJ45S	65.00
(3) Multiple Line Universal Data Jack for use in connecting fixed loss loop (FLL) and		

**ACCESS SERVICE**

20.	<u>RATES AND CHARGES</u> (Cont'd)		
20.4	<u>Miscellaneous</u> (Cont'd)		
20.4.2	<u>Standard Jacks - Registration Program</u> (Cont'd)		
	(B) <u>Standard Data Jacks</u> (Cont'd)		
	(3) (Cont'd)		
		<u>USOC</u>	
	programmed (P) types of data equipment. This jack will terminate up to eight lines. The selection of this jack requires the use of the equipment listed following.		
		RJ26X	\$250.00
	(a) Multiple Line Universal Data Jack Circuit Cards. For use with RJ26X. One circuit card per circuit required.		
		RJ26S	79.00
	(b) Multiple Line Universal Data Jacking Mounting options. For use with RJ26X. One required per RJ26X.		
	- Wall Mounting with cover.		
	- Rack Mounting (19 inch or 23 inch)		
		RJM3X	45.00
		RJM4X	28.00

**ACCESS SERVICE**

20.	<u>RATES AND CHARGES</u> (Cont'd)		
20.4	<u>Miscellaneous</u> (Cont'd)		
20.4.3	<u>Telecommunications Service Priority (TSP)</u>		
	The Utility will arrange a TSP Access Service upon receipt of certification as authorized by 47 CFR § 64, Appendix A.		
			<u>Nonrecurring Charge</u>
	TSP, per service arranged		\$61.74
20.4.4	<u>Service Date Change Charge</u>		
			<u>USOC Charge</u>
	Service Date Change Charge, per order	OMC	\$ 26.21
20.4.5	<u>Design Change Charge</u>		
			<u>USOC Charge</u>
	Design Change Charge, per order	H28	26.21
20.4.6	<u>Controller Arrangement</u>		
			Monthly <u>USOC Charge</u>
	- Per arrangement	XTDDU	\$100.00

**ACCESS SERVICE**

20. <u>RATES AND CHARGES</u> (Cont'd)	
20.4 <u>Miscellaneous</u> (Cont'd)	
20.4.7 <u>Presubscription</u>	
	<u>USOC</u>
	<u>Nonrecurring Charge</u>
<u>Equal Access Charges</u> per Telephone Exchange Service Line, Trunk, Pay Telephone	
<u>Presubscription Change Charge</u> IntraLATA PIC Charge <sup>47</sup> – per line or trunk:	
Manual Change	\$5.50
Electronic Change	1.25
IntraLATA PIC Change Charge <sup>45</sup> – when made simultaneously with interLATA PIC Change, per line or trunk:	
Manual Change	2.75
Electronic Change	0.63

<sup>47</sup> This charge is billed to the end user who is the subscriber to the Telephone Exchange Service or the agent of the pay telephone, except in situations when such charges would be billed to an IC.